

SQ-MIM0153801

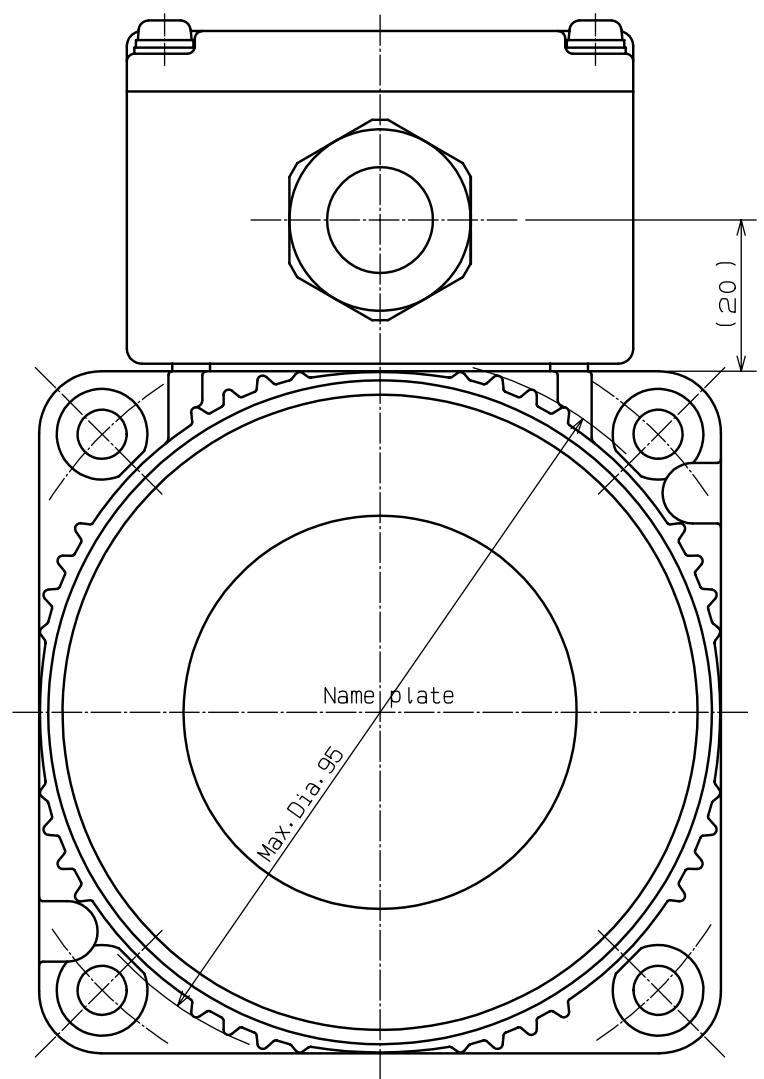
Do NOT scale the drawings. Instead, rely on the dimensions and their definitions.

Panasonic

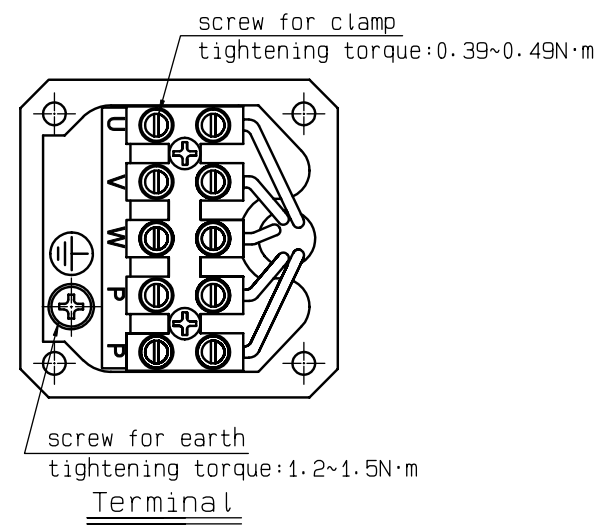
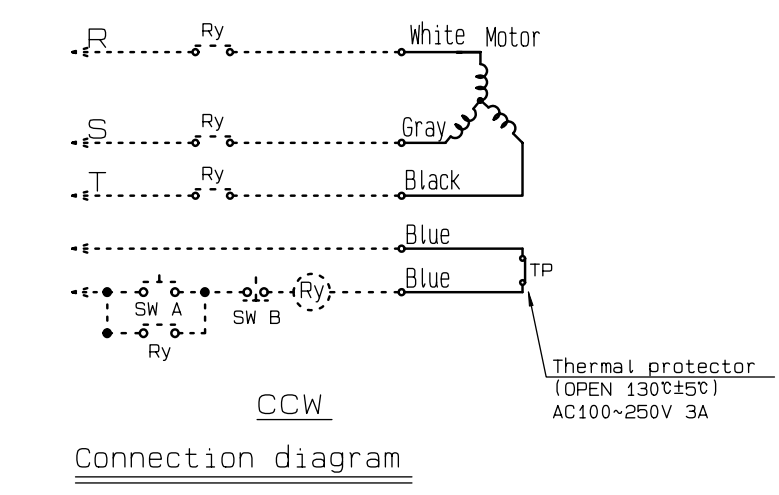
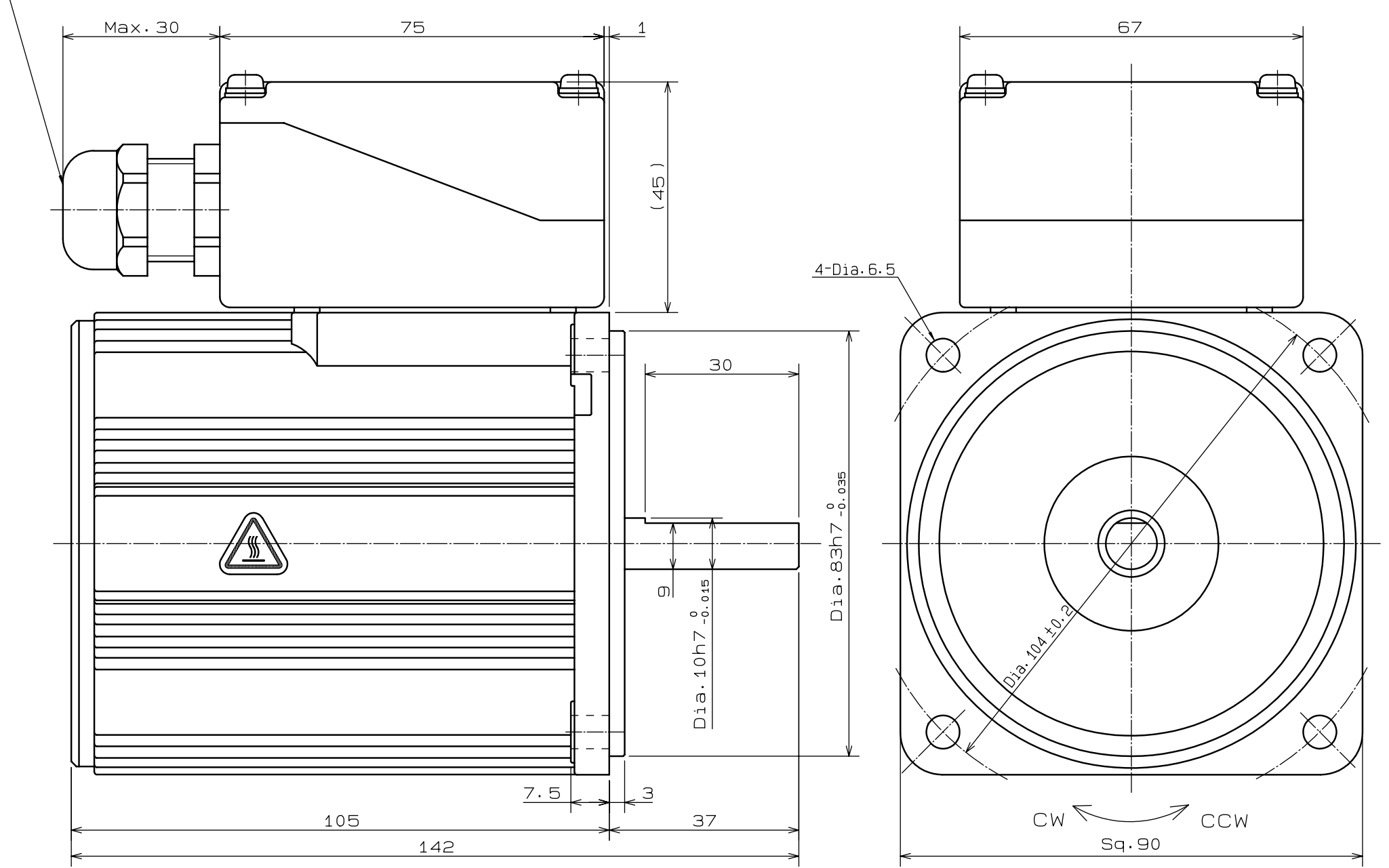
Compact AC geared motor
 Type : Induction motor (Three Phase)
 UL: c-UL, CE, CCC approved
 M9MX40SK4CGA 4P 40W 380/400V 50Hz
 Time rating: S1 (CONT.)
 Thermal Class: 130(B) IP54

Characteristics							
Voltage	Frequency	rated current	rated input	rated speed	rated torque	starting torque	starting current
380V	50Hz	0.15A	68W	1325min ⁻¹	0.29N·m	0.64N·m	0.44A
400V	50Hz	0.15A	66W	1350min ⁻¹	0.28N·m	0.74N·m	0.47A

General Dimension Tolerance (+)									
Assembly					Angle				
					Dimension of A				
					(Shorter Side)				
Up to 6	Over 6 to 30	Over 30 to 120	Over 120 to 300	Over 300	Up to 10	Over 10 to 50	Over 50 to 100	Over 100	Over 100
0.3	0.5	0.7	1.2	2.0	5°	3°	1.5°	45°	



Applicable cable: Dia. 8~12



General specification

- Operational condition: ambient temperature -10°C~+40°C, the humidity: less than 85%RH.
- Shaft end edges assumes it less than 5/100 (TIR).
- Please do not disassemble the motor. (It causes abnormal noise.)
- This motor is provided with a thermal protector.
- Body color is dark brown.

MARCHAND CLASS IM1 E-O KINO 2006/12/27 TRACE

Scale	MATSUSHITA ELECTRIC INDUSTRIAL CO.,LTD.	Agreement	Model	M9MX40SK4CGA
1 : 1	3rd Angle System	Unit:mm	Name	OUTLINE DRAWING
Designed	Drawn	Checked	Checked	Checked
SHIMIZU	SHIMIZU	NISHIJIMA	KITAMURA	
2006/12/27	2006/12/27	2007/01/15	2007/01/15	No.
				SQ-MIM0153801