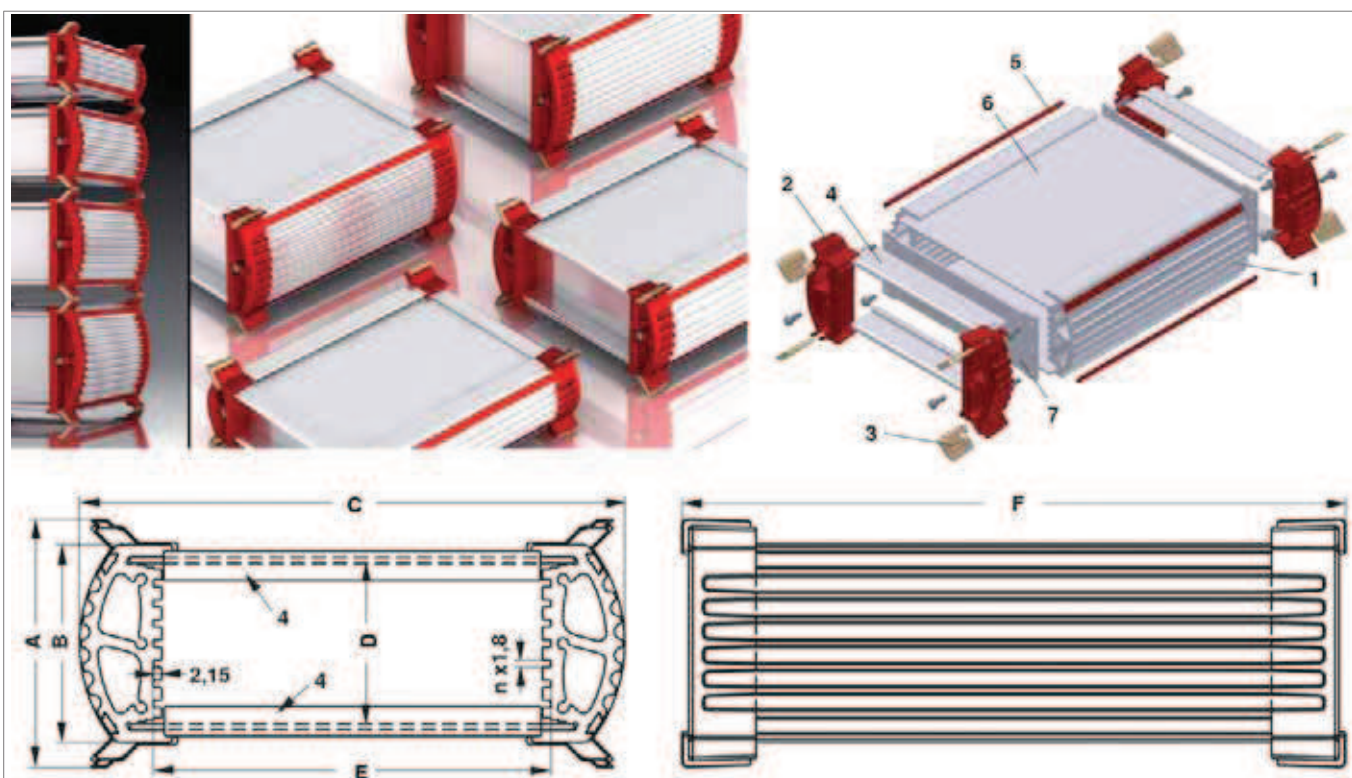


## Design case „CHAC“

- modern design case in combination with shock proof plastic cover and integrated, skid resistant standing feet
- variable case due to using 2 mm aluminium panels and extrusion profiles in four different heights
- side panel with integrated guide slots used for application of any guide rail and component
- EMC compatible version due to electrically conductive surface treatment (**TP**) and round cords (Art. No. **LSS 10**)
- further material thicknesses, special designs, colours and treatments as well as modifications upon request
- further case widths and lengths, surface treatments and colours upon request

**F** = available internal lengths +38 mm

**contents of delivery:** **1** = 2 x side panel profile; **2** = 4 x plastic frame (**RAL 3000**); **3** = 8 x skid resistant standing feet (**RAL 1001**); **4** = 4 x profiles; **5** = 4 x plastic side panel; **6** = 2 x cover panel (1.5 mm); **7** = 2 x cover plate (2 mm); mounting material



art. no.	dim. [mm]						art. no.	dim. [mm]					
	A	B	C	D	E	n		A	B	C	D	E	n
<b>CC 35 51 ...</b>	47.7	35	84.2	25.5	51.0	4	<b>CC 60 85 ...</b>	72.7	60	123.2	50.5	85.0	9
<b>CC 35 67 ...</b>	47.7	35	100.5	25.5	67.3	4	<b>CC 60 100 ...</b>	72.7	60	138.5	50.5	100.3	9
<b>CC 35 85 ...</b>	47.7	35	118.2	25.5	85.0	4	<b>CC 60 116 ...</b>	72.7	60	154.2	50.5	116.0	9
<b>CC 35 100 ...</b>	47.7	35	133.5	25.5	100.3	4	<b>CC 60 130 ...</b>	72.7	60	168.2	50.5	130.0	9
<b>CC 35 116 ...</b>	47.7	35	149.2	25.5	116.0	4	<b>CC 60 160 ...</b>	72.7	60	198.5	50.5	160.3	9
<b>CC 35 130 ...</b>	47.7	35	163.2	25.5	130.0	4	<b>CC 60 200 ...</b>	72.7	60	238.2	50.5	200.0	9
<b>CC 35 160 ...</b>	47.7	35	193.5	25.5	160.3	4	<b>CC 60 233 ...</b>	72.7	60	271.6	50.5	233.4	9
<b>CC 50 85 ...</b>	62.7	50	121.2	40.5	85.0	7	<b>CC 70 85 ...</b>	82.7	70	125.2	60.5	85.0	11
<b>CC 50 100 ...</b>	62.7	50	136.5	40.5	100.3	7	<b>CC 70 100 ...</b>	82.7	70	140.5	60.5	100.3	11
<b>CC 50 116 ...</b>	62.7	50	152.2	40.5	116.0	7	<b>CC 70 116 ...</b>	82.7	70	156.2	60.5	116.0	11
<b>CC 50 130 ...</b>	62.7	50	166.2	40.5	130.0	7	<b>CC 70 130 ...</b>	82.7	70	170.2	60.5	130.0	11
<b>CC 50 160 ...</b>	62.7	50	196.5	40.5	160.3	7	<b>CC 70 160 ...</b>	82.7	70	200.5	60.5	160.3	11
<b>CC 50 200 ...</b>	62.7	50	236.2	40.5	200.0	7	<b>CC 70 200 ...</b>	82.7	70	240.2	60.5	200.0	11
<b>CC 50 233 ...</b>	62.7	50	269.6	40.5	233.4	7	<b>CC 70 233 ...</b>	82.7	70	273.6	60.5	233.4	11

please indicate:

... lengths

85 100 120 160 200 220 mm

... surface

**SA** = complete case black anodised  
**ME** = complete case clear anodised  
**LP** = exterior black lacquered, inside chrome-free transp. passivated

Design case Frame  
 Design case Eurotainer  
 Combination cases  
 Design case Rail

→ M 39  
 → M 40  
 → M 11 - 17  
 → M 41

Miniature aluminium case  
 Euro case  
 Tube cases with Eurocards  
 Tube cases

→ M 25 - 29  
 → M 9  
 → M 23  
 → M 21

**M 38**

A

B

C

D

E

F

G

H

I

K

L

**M**

N