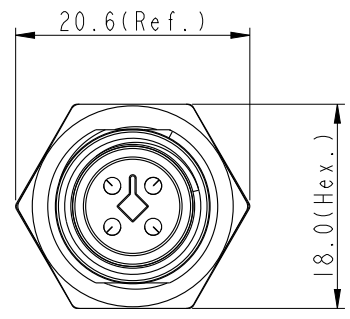
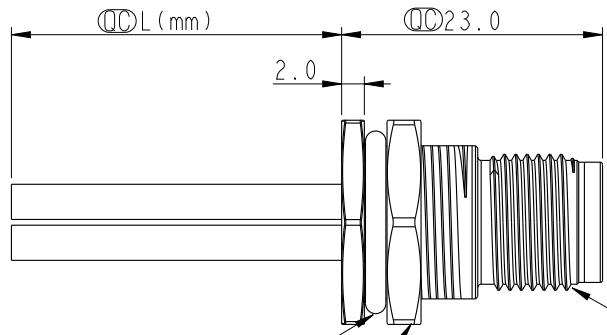
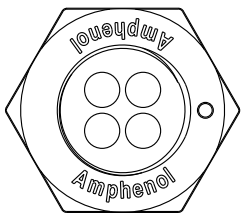


THIS DOCUMENT IS SUBJECT TO CHANGE WITHOUT NOTICE. IT IS CONFIDENTIAL AND A PROPERTY OF Amphenol LTW. DISCLOSURE TO THIRD PARTY HAS TO BE AUTHORIZED BY Amphenol LTW.

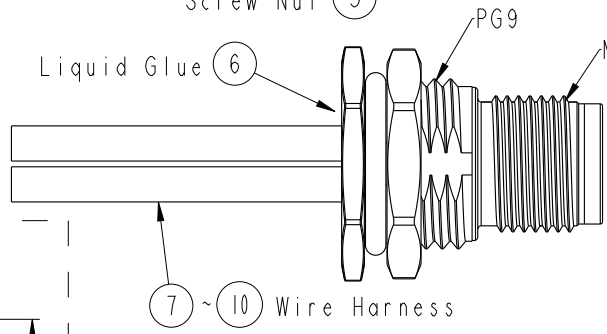
REV.	ECN NO.	DATE	SIGN	DESCRIPTION
A	Initial Release	2015-03-04	Cary	Change Rev. 01 to Rev.A

ALTW
CONFIDENTIAL
2015-03-03
R&D DEPT.



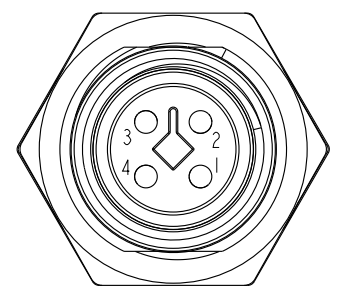
M12T-04PMMS-SF8BXX

XX: 150~1500mm
 15: 150mm
 30: 300mm
 50: 500mm
 A0: 1000mm
 A5: 1500mm
 Wire Length(L): 150~1500mm

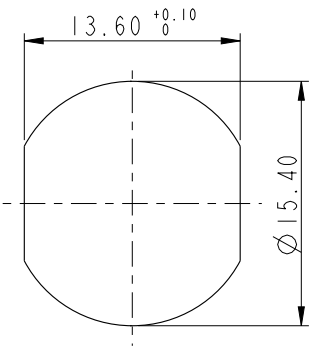


ALTW
DCC. DEPT.
CONFIDENTIAL
2015.04.27
ISSUED

- Note:
- * \varnothing Important Dimension.
 - * Waterproof Rate: IP68.
 - IP68: 1M Depth Of Water In 24hours.
 - * Housing: Nylon66, UL94V-0, Black.
 - * Male Pin: Copper Alloy, Gold Plated.
 - * Shield: Zinc Alloy, Nickel Plated.
 - * Panel Nut: Zinc Alloy, Nickel Plated.
 - * O-Ring: Viton, Black.
 - * Wire Harness: UL1015 16AWG (1.5mm²).
 - * Rated Voltage: 60V DC.
 - * Rated Current at 40°C: 12A
 - * Operation Temperature: -40~85°C.
 - * For Panel Thickness Max 4.5mm.
 - * Nut Torque: 4-6 Kgf.cm (0.4~0.6N.m).
 - * Wire harness Tolerance: 150~300 ±15mm
 301~1000 ±20mm
 Over 1000 ±40mm



Pin Assignment
Front View



Recommended
Panel Cut-Out

4	Black	黑
3	Blue	藍
2	White	白
1	Brown	棕
Conn.	Wire Color	Pin Out

UNIT: mm

TOLERANCE	
.X	±0.25
.XX	±0.1
.XXX	±0.05
ANGLES	±1°

TITLE M12 T-Code 4Pin Male Type			
SCALE	1:1	SIZE	A4
REV.	A	SHEET	1 OF 1
WC-REV.	A.2	QC	Inspection item

Amphenol LTW
安費諾亮泰企業股份有限公司

ITEM NO.	
DWG NO.	M12T-04PMMS-SF8BXX
CUSTOMER	ALTW

DRAWN BY	Cary
CHECKED BY	Yu Long
APPROVED BY	Jerry

DATE	2015-03-04
DATE	2015-03-04
DATE	2015-03-04