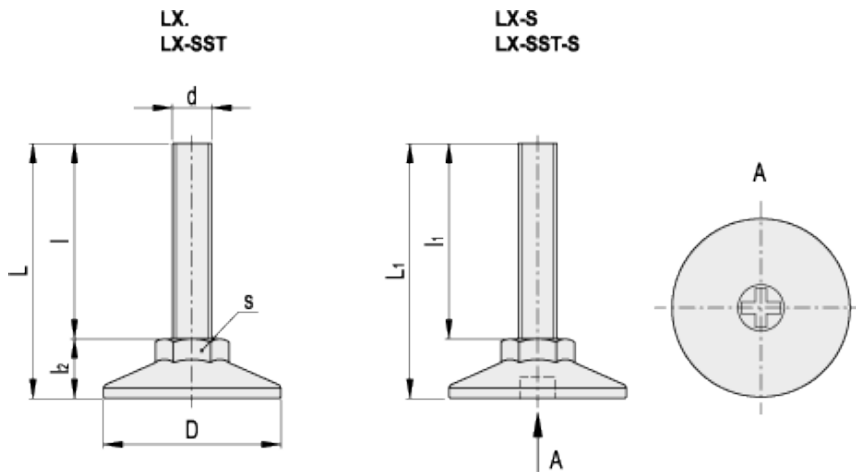


LX

Levelling elements



technical informations

Base

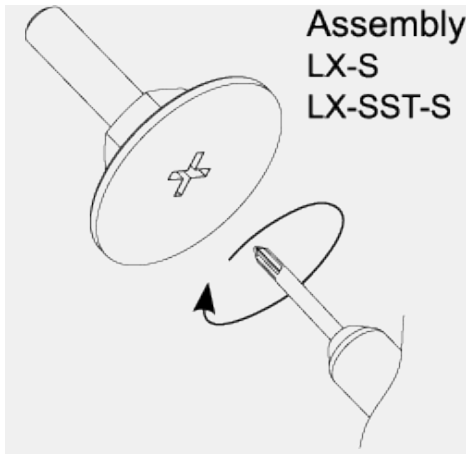
Polyamide based (PA) technopolymer with adjusting hexagon. Resistant to solvents, oils, greases and other chemical agents.

Colour

Black, matte finish.

Standard executions

- LX: zinc-plated steel threaded stem.
- LX-S: zinc-plated steel threaded stem, base with cross mark for screwdriver.
- LX-SST: AISI 304 stainless steel threaded stem.
- LX-SST-S: AISI 304 stainless steel threaded stem, base with cross mark for screwdriver.



Standard Elements				Main dimensions								Max limit static load*	Weig
								LX		LX-S			
Code	Description	Code	Description	D	d	l ₂	s	L	l	L ₁	l ₁	[N]	g
431001	LX.25-SW13-M6x24	431001-S	LX.25-SW13-M6x26-S	25	M6	11	13	35	24	37	26	1500	75
431003	LX.25-SW13-M6x34	431003-S	LX.25-SW13-M6x36-S	25	M6	11	13	45	34	47	36	1500	77
431005	LX.25-SW13-M6x54	431005-S	LX.25-SW13-M6x56-S	25	M6	11	13	65	54	67	56	1500	86
431007	LX.25-SW13-M6x62	431007-S	LX.25-SW13-M6x64-S	25	M6	11	13	73	62	75	64	1500	88
431011	LX.25-SW13-M8x17	431011-S	LX.25-SW13-M8x19-S	25	M8	11	13	28	17	30	19	2500	82
431013	LX.25-SW13-M8x22	431013-S	LX.25-SW13-M8x24-S	25	M8	11	13	33	22	35	24	2500	87
431015	LX.25-SW13-M8x32	431015-S	LX.25-SW13-M8x34-S	25	M8	11	13	43	32	45	34	2500	91
431017	LX.25-SW13-M8x52	431017-S	LX.25-SW13-M8x54-S	25	M8	11	13	63	52	65	54	2500	105
431019	LX.25-SW13-M8x72	431019-S	LX.25-SW13-M8x74-S	25	M8	11	13	83	72	85	74	2500	120
431051	LX.30-SW17-M6x22	431051-S	LX.30-SW17-M6x24-S	30	M6	12	17	34	22	36	24	1500	77
431053	LX.30-SW17-M6x32	431053-S	LX.30-SW17-M6x34-S	30	M6	12	17	44	32	46	34	1500	80
431055	LX.30-SW17-M6x52	431055-S	LX.30-SW17-M6x54-S	30	M6	12	17	64	52	66	54	1500	81
431057	LX.30-SW17-M8x16	431057-S	LX.30-SW17-M8x18-S	30	M8	12	17	28	16	30	18	2500	83
431059	LX.30-SW17-M8x21	431059-S	LX.30-SW17-M8x23-S	30	M8	12	17	33	21	35	23	2500	87
431061	LX.30-SW17-M8x31	431061-S	LX.30-SW17-M8x33-S	30	M8	12	17	43	31	45	33	2500	90
431063	LX.30-SW17-M8x51	431063-S	LX.30-SW17-M8x53-S	30	M8	12	17	63	51	65	53	2500	100
431065	LX.30-SW17-M8x71	431065-S	LX.30-SW17-M8x73-S	30	M8	12	17	83	71	85	73	2500	110
431067	LX.30-SW17-M10x16	431067-S	LX.30-SW17-M10x18-S	30	M10	12	17	28	16	30	18	3000	88
431069	LX.30-SW17-M10x21	431069-S	LX.30-SW17-M10x23-S	30	M10	12	17	33	21	35	23	3000	92
431071	LX.30-SW17-M10x31	431071-S	LX.30-SW17-M10x33-S	30	M10	12	17	43	31	45	33	3000	95
431073	LX.30-SW17-M10x41	431073-S	LX.30-SW17-M10x43-S	30	M10	12	17	53	41	55	43	3000	97
431075	LX.30-SW17-M10x51	431075-S	LX.30-SW17-M10x53-S	30	M10	12	17	63	51	65	53	3000	105
431077	LX.30-SW17-M10x61	431077-S	LX.30-SW17-M10x63-S	30	M10	12	17	73	61	75	63	3000	109
431079	LX.30-SW17-M10x71	431079-S	LX.30-SW17-M10x73-S	30	M10	12	17	83	71	85	73	3000	116
431031	LX.40-SW17-M8x12	431031-S	LX.40-SW17-M8x14-S	40	M8	13	17	24.5	11.5	26.5	13.5	2500	127
431033	LX.40-SW17-M8x20	431033-S	LX.40-SW17-M8x22-S	40	M8	13	17	32.5	19.5	34.5	21.5	2500	133
431035	LX.40-SW17-M8x30	431035-S	LX.40-SW17-M8x32-S	40	M8	13	17	42.5	29.5	44.5	31.5	2500	137
431037	LX.40-SW17-M8x50	431037-S	LX.40-SW17-M8x52-S	40	M8	13	17	62.5	49.5	64.5	51.5	2500	151
431039	LX.40-SW17-M8x70	431039-S	LX.40-SW17-M8x72-S	40	M8	13	17	82.5	69.5	84.5	71.5	2500	167
431041	LX.40-SW17-M10x20	431041-S	LX.40-SW17-M10x22-S	40	M10	13	17	32.5	19.5	34.5	21.5	3000	144
431042	LX.40-SW17-M10x30	431042-S	LX.40-SW17-M10x32-S	40	M10	13	17	42.5	29.5	44.5	31.5	3000	155

431043	LX.40-SW17-M10x40	431043-S	LX.40-SW17-M10x42-S	40	M10	13	17	52.5	39.5	54.5	41.5	3000	165
431044	LX.40-SW17-M10x50	431044-S	LX.40-SW17-M10x52-S	40	M10	13	17	62.5	49.5	64.5	51.5	3000	185
431045	LX.40-SW17-M10x60	431045-S	LX.40-SW17-M10x62-S	40	M10	13	17	72.5	59.5	74.5	61.5	3000	198
431046	LX.40-SW17-M10x70	431046-S	LX.40-SW17-M10x72-S	40	M10	13	17	82.5	69.5	84.5	71.5	3000	206
431049	LX.40-SW17-M10x100	431049-S	LX.40-SW17-M10x102-S	40	M10	13	17	112.5	99.5	114.5	101.5	3000	295
431047	LX.40-SW17-M12x50	431047-S	LX.40-SW17-M12x52-S	40	M12	13	17	62.5	49.5	64.5	51.5	5000	195
431048	LX.40-SW17-M12x70	431048-S	LX.40-SW17-M12x72-S	40	M12	13	17	82.5	69.5	84.5	71.5	5000	216
431050	LX.40-SW17-M12x100	431050-S	LX.40-SW17-M12x102-S	40	M12	13	17	112.5	99.5	114.5	101.5	5000	305

* The max static load is the value above which the load applied to the element may cause some plastic material breakage, in particular conditions of use. Obviously, a factor that takes into consideration the importance and the safety level of the specific application must be applied to this value.

Standard Elements				Main dimensions								Max limit static load*	Weig
								LX		LX-S			
Code	Description	Code	Description	D	d	l ₂	s	L	l	L ₁	l ₁	[N]	g
431101	LX.25-SW13-SST-M6x24	431101-S	LX.25-SW13-SST-M6x26-S	25	M6	11	13	35	24	37	26	1500	75
431103	LX.25-SW13-SST-M6x34	431103-S	LX.25-SW13-SST-M6x36-S	25	M6	11	13	45	34	47	36	1500	77
431105	LX.25-SW13-SST-M6x54	431105-S	LX.25-SW13-SST-M6x56-S	25	M6	11	13	65	54	67	56	1500	86
431113	LX.25-SW13-SST-M8x22	431113-S	LX.25-SW13-SST-M8x24-S	25	M6	11	13	35	24	37	26	1500	75
431115	LX.25-SW13-SST-M8x32	431115-S	LX.25-SW13-SST-M8x34-S	25	M8	11	13	43	32	45	34	2500	87
431117	LX.25-SW13-SST-M8x52	431117-S	LX.25-SW13-SST-M8x54-S	25	M8	11	13	63	52	65	54	2500	105
431151	LX.30-SW17-SST-M6x22	431151-S	LX.30-SW17-SST-M6x24-S	30	M6	12	17	34	22	36	24	1500	77
431153	LX.30-SW17-SST-M6x32	431153-S	LX.30-SW17-SST-M6x34-S	30	M6	12	17	44	32	46	34	1500	80
431155	LX.30-SW17-SST-M6x52	431155-S	LX.30-SW17-SST-M6x54-S	30	M6	12	17	64	52	66	54	1500	81
431159	LX.30-SW17-SST-M8x21	431159-S	LX.30-SW17-SST-M8x23-S	30	M8	12	17	33	21	35	23	2500	87
431161	LX.30-SW17-SST-M8x31	431161-S	LX.30-SW17-SST-M8x33-S	30	M8	12	17	43	31	45	33	2500	90
431163	LX.30-SW17-SST-M8x51	431163-S	LX.30-SW17-SST-M8x53-S	30	M8	12	17	63	51	65	53	2500	100
431171	LX.30-SW17-SST-M10x31	431171-S	LX.30-SW17-SST-M10x33-S	30	M10	12	17	43	31	45	33	3000	95
431175	LX.30-SW17-SST-M10x51	431175-S	LX.30-SW17-SST-M10x53-S	30	M10	12	17	63	51	65	53	3000	105
431179	LX.30-SW17-SST-M10x71	431179-S	LX.30-SW17-SST-M10x73-S	30	M10	12	17	83	71	85	73	3000	116
431133	LX.40-SW17-SST-M8x20	431133-S	LX.40-SW17-SST-M8x22-S	40	M8	13	17	32.5	19.5	34.5	21.5	2500	133
431135	LX.40-SW17-SST-M8x30	431135-S	LX.40-SW17-SST-M8x32-S	40	M8	13	17	42.5	29.5	44.5	31.5	2500	137
431137	LX.40-SW17-SST-M8x50	431137-S	LX.40-SW17-SST-M8x52-S	40	M8	13	17	62.5	49.5	64.5	53.5	2500	151
431142	LX.40-SW17-SST-M10x30	431142-S	LX.40-SW17-SST-M10x32-S	40	M10	13	17	32.5	19.5	34.5	21.5	3000	144
431144	LX.40-SW17-SST-M10x50	431144-S	LX.40-SW17-SST-M10x52-S	40	M10	13.5	17	62.5	49.5	64.5	51.5	3000	185
431146	LX.40-SW17-SST-M10x70	431146-S	LX.40-SW17-SST-M10x72-S	40	M10	13	17	82.5	69.5	84.5	71.5	3000	206

431148	LX.40-SW17-SST-M12x50	431148-S	LX.40-SW17-SST-M12x52-S	40M12	13	17	62.5	49.5	64.5	51.5	5000	195
431149	LX.40-SW17-SST-M12x70	431149-S	LX.40-SW17-SST-M12x72-S	40M12	13	17	82.5	69.5	84.5	71.5	5000	216
431150	LX.40-SW17-SST-M12x100	431150-S	LX.40-SW17-SST-M12x102-S	40M12	13	17	112.5	99.5	114.5	101.5	5000	305

* The max static load is the value above which the load applied to the element may cause some plastic material breakage, in particular conditions of use. Obviously, a factor that takes into consideration the importance and the safety level of the specific application must be applied to this value.



ELESA and GANTER models all rights reserved in accordance with the law. Always mention the source when reproducing our drawings.

STANDARD MACHINE ELEMENTS WORLDWIDE