

Through Hole Lamp
LTW-2W3DRA
Preliminary Ver:P003

Through Hole Lamp

LTW-2W3DRA

<u>Rev</u>	<u>Description</u>	<u>By</u>	<u>Date</u>
P001	Preliminary SPEC (RDR-20150188)	Strong	03/11/2015
P002	Rename to LTW-2W3DRA	Strong	03/17/2015
P003	Change Iv(mcd) to Luminous flux(lm)	Strong	04/09/2015
Above data for PD and Customer tracking only			

Through Hole Lamp LTW-2W3DRA Preliminary Ver:P003

1. Description

White lamps for outdoor application are offered in a variety of packages such as 3mm, 5mm, oval type which is suitable for traffic signal and message board applications with smooth radiation pattern. Advanced epoxy technology has a good moisture resistance and UV protection to be us in package and it can reduce the effect of long term exposure in outdoor environment.

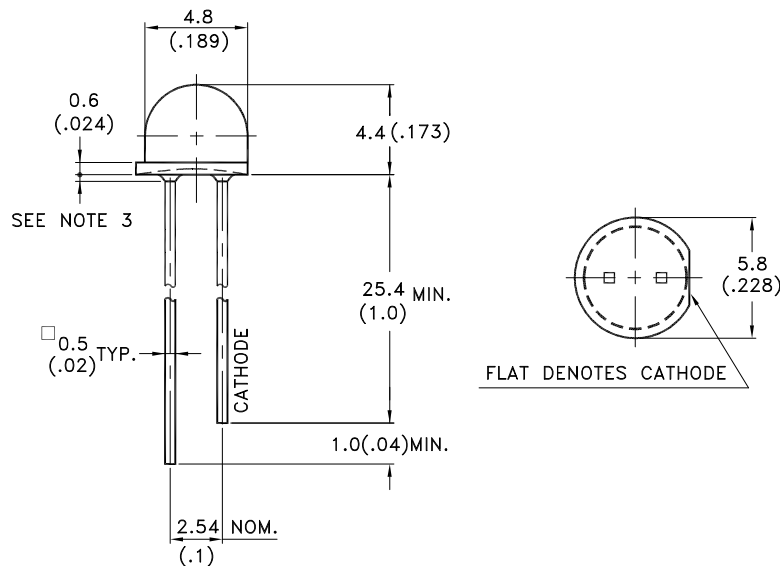
1.1. Features

- Lead (Pb) free product - RoHS compliant
- Low power consumption & High efficiency.
- High efficiency & reliability.
- Versatile mounting on p.c. board or panel.
- I.C. compatible/low current requirement.
- Popular 5mm diameter. InGaN White & Water Clear lens.

1.2. Applications

- Message sign
- Bus sign
- Traffic sign
- Traffic signal

2. Outline Dimensions



Notes :

1. All dimensions are in millimeters (inches).
2. Tolerance is ± 0.25 mm (.010") unless otherwise noted.
3. Protruded resin under flange is 1.0mm (.04") max.
4. Lead spacing is measured where the leads emerge from the package.
5. Specifications are subject to change without notice.

Through Hole Lamp LTW-2W3DRA

Preliminary Ver:P003

3. Absolute Maximum Ratings at TA=25°C

Parameter	Maximum Rating	Unit
Power Dissipation	96	mW
Peak Forward Current (Duty Cycle \leq 1/10, Pulse Width \leq 10ms)	100	mA
DC Forward Current	30	mA
Derating Linear From 30°C	0.45	mA/°C
Operating Temperature Range	-40°C to + 85°C	
Storage Temperature Range	-40°C to + 100°C	
Lead Soldering Temperature [2.0mm (.079") From Body]	260°C for 5 Seconds Max.	

4. Electrical / Optical Characteristics at TA=25°C

Parameter	Symbol	Min.	Typ.	Max.	Unit	Test Condition
Luminous Flux	ϕ_v	5.4	6.6	10.1	lm	IF = 20mA
Viewing Angle	$2\theta_{1/2}$		100		deg	Note 2 (Fig.6)
Chromaticity Coordinates	x		0.32			IF = 20mA, Note 5 Hue Spec. Table & Chromaticity Diagram
	y		0.33			
Forward Voltage	VF	2.8	3.1	3.4	V	IF = 20mA
Reverse Current	IR			100	μ A	VR = 5V

NOTE:

- Luminous intensity is measured with a light sensor and filter combination that approximates the CIE eye-response curve.
- $\theta_{1/2}$ is the off-axis angle at which the luminous intensity is half the axial luminous intensity.
- Iv classification code is marked on each packing bag.
- The Iv guarantee must be included with $\pm 15\%$ testing tolerance.
- The chromaticity coordinates (x, y) is derived from the 1931 CIE chromaticity diagram..
- Reverse voltage (VR) condition is applied for IR test only. The device is not designed for reverse operation.

Through Hole Lamp LTW-2W3DRA

Preliminary Ver:P003

5. Typical Electrical / Optical Characteristics Curves

(25°C Ambient Temperature Unless Otherwise Noted)

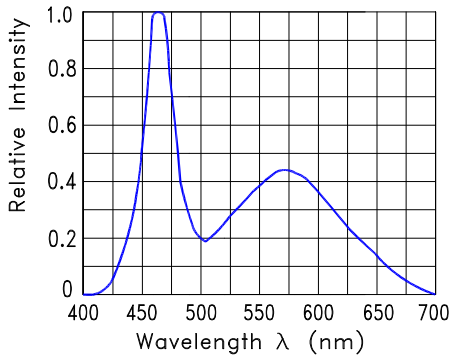


Fig.1 Relative Intensity VS. Wavelength

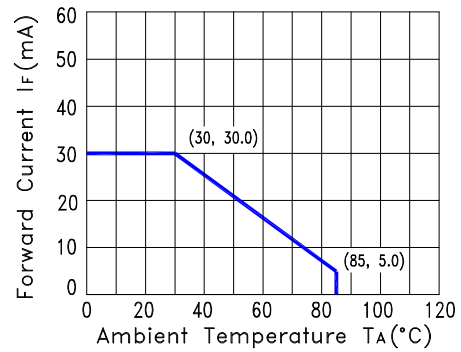


Fig.2 Forward Current Derating Curve

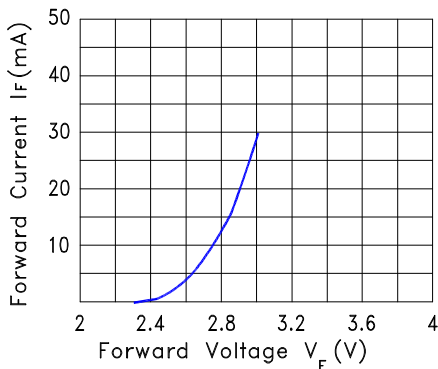


Fig.3 Forward Current vs. Forward Voltage

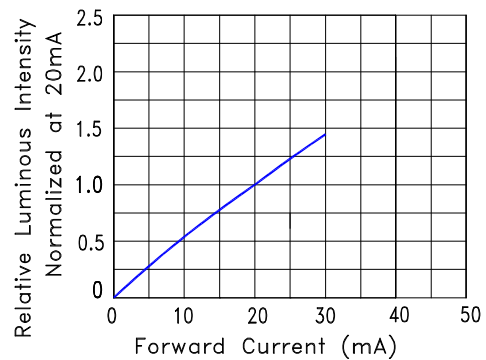


Fig.4 Relative Luminous Intensity vs. Forward Current

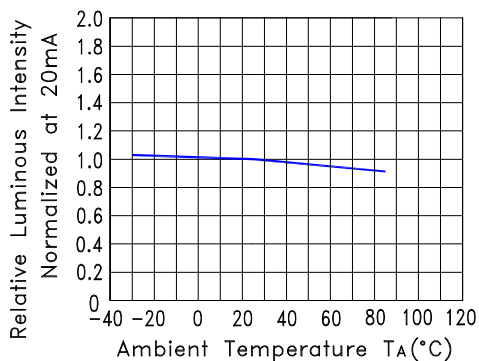


Fig.5 Relative Luminous Intensity VS. Ambient Temperature

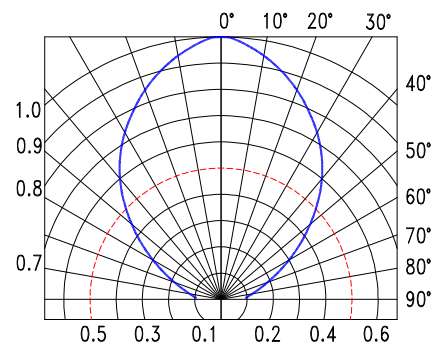


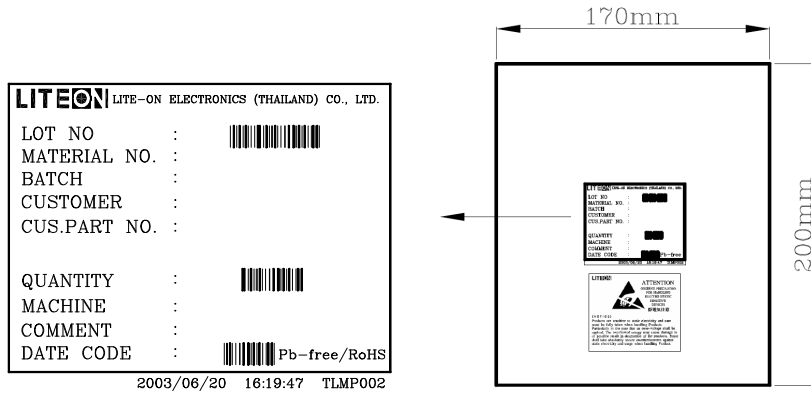
Fig.6 Spatial Distribution

Through Hole Lamp LTW-2W3DRA

Preliminary Ver:P003

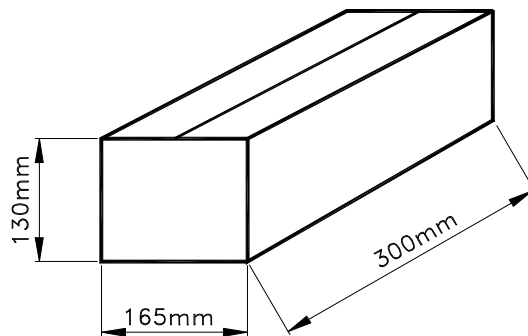
6. Packing Spec.

500, 200 or 100 pcs per packing bag



10 packing bags per inner carton

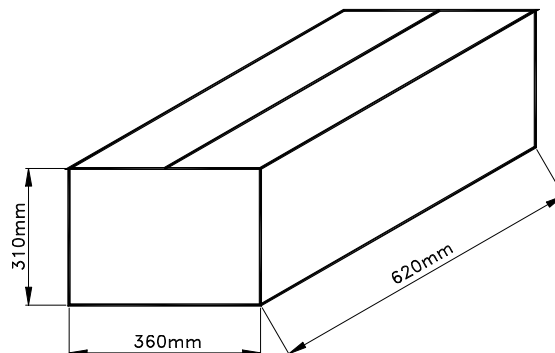
Total 5,000 pcs per inner carton



8 Inner cartons per outer carton

Total 40,000 pcs per outer carton

In every shipping lot, only the last pack will be non-full packing



Through Hole Lamp
LTW-2W3DRA
Preliminary Ver:P003

6. Bin Table Specification

Luminous Flux ϕ_v (lm) IF@20mA		
Bin Code	Min.	Max.
LF	5.4	6.6
LG	6.6	8.1
LH	8.1	10.1

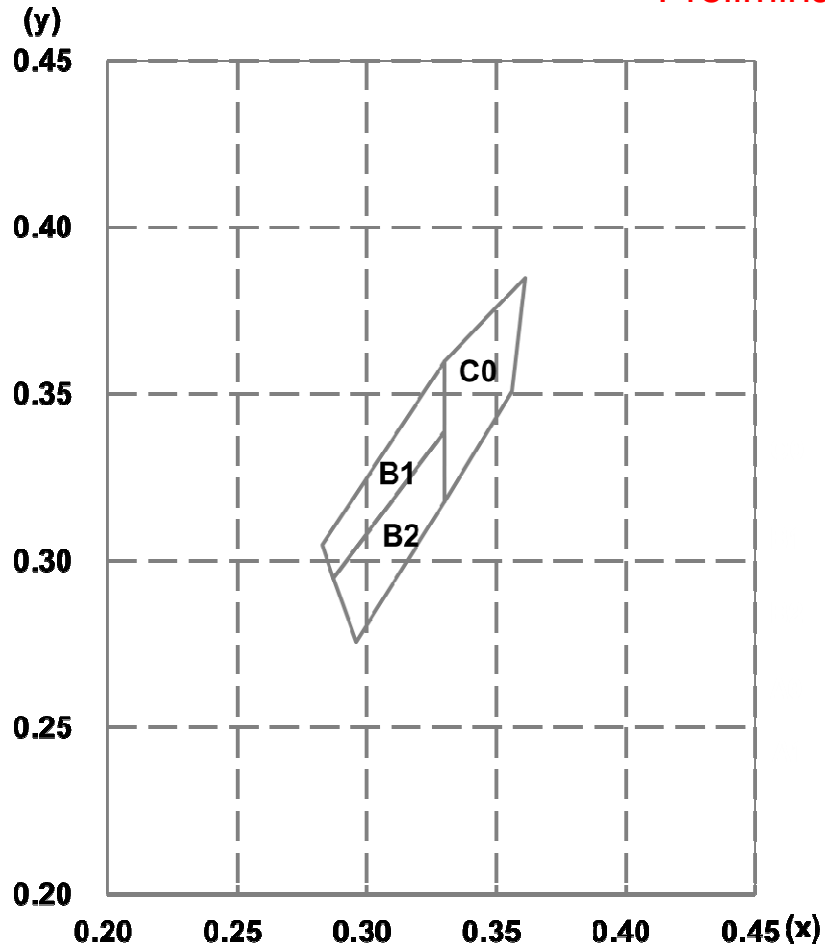
Note: Tolerance of each bin limit is $\pm 15\%$

Hue Ranks	Chromaticity Coordinates, CC(x, y), IF@20mA				
B1	x	0.283	0.287	0.330	0.330
	y	0.305	0.295	0.339	0.360
B2	x	0.296	0.287	0.330	0.330
	y	0.276	0.295	0.339	0.318
C0	x	0.330	0.361	0.356	0.330
	y	0.360	0.385	0.351	0.318

Note: Color Coordinates Measurement allowance is ± 0.01

**Through Hole Lamp
LTW-2W3DRA**

Preliminary Ver:P003



Through Hole Lamp LTW-2W3DRA Preliminary Ver:P003

8. CAUTIONS

8.1. Application

This LED lamp is good for application of indoor and outdoor sign, also ordinary electronic equipment.

8.2. Storage

The storage ambient for the LEDs should not exceed 30°C temperature or 70% relative humidity. It is recommended that LEDs out of their original packaging are used within three months. For extended storage out of their original packaging, it is recommended that the LEDs be stored in a sealed container with appropriate desiccant or in desiccators with nitrogen ambient.

8.3. Cleaning

Use alcohol-based cleaning solvents such as isopropyl alcohol to clean the LEDs if necessary.

8.4. Lead Forming & Assembly

During lead forming, the leads should be bent at a point at least 3mm from the base of LED lens. Do not use the base of the lead frame as a fulcrum during forming. Lead forming must be done before soldering, at normal temperature. During assembly on PCB, use minimum clinch force possible to avoid excessive mechanical stress.

8.5. Soldering

When soldering, leave a minimum of 2mm clearance from the base of the lens to the soldering point. Dipping the lens into the solder must be avoided. Do not apply any external stress to the lead frame during soldering while the LED is at high temperature.

Recommended soldering conditions:

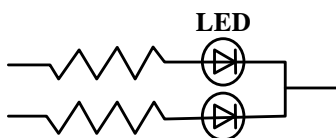
Soldering iron		Wave soldering	
Temperature	350°C Max.	Pre-heat	100°C Max.
Soldering time	3 seconds Max. (one time only)	Pre-heat time	60 seconds Max.
Position	No closer than 2mm from the base of the epoxy bulb	Solder wave	260°C Max.
		Soldering time	5 seconds Max.
		Dipping Position	No lower than 2mm from the base of the epoxy bulb

Note: Excessive soldering temperature and/or time might result in deformation of the LED lens or catastrophic failure of the LED. IR reflow is not suitable process for through hole type LED lamp product.

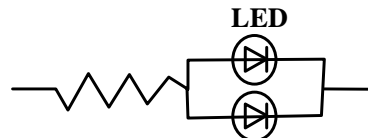
8.6. Drive Method

An LED is a current-operated device. In order to ensure intensity uniformity on multiple LEDs connected in parallel in an application, it is recommended that a current limiting resistor be incorporated in the drive circuit, in series with each LED as shown in Circuit A below.

Circuit model (A)



Circuit model (B)



(A) Recommended circuit

(B) The brightness of each LED might appear different due to the differences in the I-V characteristics of those LEDs.

Through Hole Lamp LTW-2W3DRA

Preliminary Ver:P003

8.7. ESD (Electrostatic Discharge)

Static Electricity or power surge will damage the LED.

Suggestions to prevent ESD damage:

- Use a conductive wrist band or anti- electrostatic glove when handling these LEDs
- All devices, equipment, and machinery must be properly grounded
- Work tables, storage racks, etc. should be properly grounded
- Use ion blower to neutralize the static charge which might have built up on surface of the LEDs plastic lens as a result of friction between LEDs during storage and handing

Suggested checking list:

Training and Certification

- 8.7.1.1. Everyone working in a static-safe area is ESD-certified?
- 8.7.1.2. Training records kept and re-certification dates monitored?

Static-Safe Workstation & Work Areas

- 8.7.2.1. Static-safe workstation or work-areas have ESD signs?
- 8.7.2.2. All surfaces and objects at all static-safe workstation and within 1 ft measure less than 100V?
- 8.7.2.3. All ionizer activated, positioned towards the units?
- 8.7.2.4. Each work surface mats grounding is good?

Personnel Grounding

- 8.7.3.1. Every person (including visitors) handling ESD sensitive (ESDS) items wear wrist strap, heel strap or conductive shoes with conductive flooring?
- 8.7.3.1. If conductive footwear used, conductive flooring also present where operator stand or walk?
- 8.7.3.2. Garments, hairs or anything closer than 1 ft to ESD items measure less than 100V*?
- 8.7.3.3. Every wrist strap or heel strap/conductive shoes checked daily and result recorded for all DLs?
- 8.7.3.4. All wrist strap or heel strap checkers calibration up to date?
Note: *50V for Blue LED.

Device Handling

- 8.7.4.1. Every ESDS items identified by EIA-471 labels on item or packaging?
- 8.7.4.2. All ESDS items completely inside properly closed static-shielding containers when not at static-safe workstation?
- 8.7.4.3. No static charge generators (e.g. plastics) inside shielding containers with ESDS items?
- 8.7.4.4. All flexible conductive and dissipative package materials inspected before reuse or recycle?

Others

- 8.7.5.1. Audit result reported to entity ESD control coordinator?
- 8.7.5.2. Corrective action from previous audits completed?
- 8.7.5.3. Are audit records complete and on file?

Through Hole Lamp LTW-2W3DRA Preliminary Ver:P003

9. Reliability Test

Classification	Test Item	Test Condition	Sample Size	Reference Standard
Endurance Test	Operation Life	Ta = Under Room Temperature IF = 30mA Test Time= 1000hrs	45 PCS (CL=90%; LTPD=5%)	MIL-STD-750D:1026 MIL-STD-883G:1005
	High Temperature High Humidity storage (THB)	Ta = 85°C RH = 85% Test Time= 1000hrs	45 PCS (CL=90%; LTPD=5%)	MIL-STD-202G:103B JEITA ED-4701:100 103
	Steady state Operation Life of High Humidity Heat	Ta = 85°C, RH= 85 % IF = 5mA Test Time= 1000hrs	76 PCS (CL=90%; LTPD=3%)	JESD22-A101C
	Low Temperature Operation Life of	Ta = -30°C IF = 30mA Test Time= 1000hrs	45 PCS (CL=90%; LTPD=5%)	
	High Temperature Storage	Ta= 105 ± 5°C Test Time= 1000hrs	45 PCS (CL=90%; LTPD=5%)	MIL-STD-750D:1031 MIL-STD-883G:1008 JEITA ED-4701:200 201
	Low Temperature Storage	Ta= -55 ± 5°C Test Time= 1000hrs	45 PCS (CL=90%; LTPD=5%)	JEITA ED-4701:200 202
Environmental Test	Temperature Cycling	100°C ~ 25°C ~ -40°C ~ 25°C 30mins 5mins 30mins 5mins Test time: 200 Cycles	76 PCS (CL=90%; LTPD=3%)	MIL-STD-750D:1051 MIL-STD-883G:1010 JEITA ED-4701:100 105 JESD22-A104C
	Thermal Shock	100 ± 5°C ~ -30°C ± 5°C 15mins 15mins Test time: 200 Cycles	76 PCS (CL=90%; LTPD=3%)	MIL-STD-750D:1056 MIL-STD-883G:1011 MIL-STD-202G:107G JESD22-A106B
	Solder Resistance	T. sol = 260 ± 5°C Dwell Time= 10±1 seconds 2mm from the base of the epoxy bulb	11 PCS (CL=90%; LTPD=18.9%)	MIL-STD-750D:2031 JEITA ED-4701: 300 302
	Solderability	T. sol = 245 ± 5°C Dwell Time= 5 ± 0.5 seconds (Lead Free Solder, Coverage ≥ 95% of the dipped surface)	11 PCS (CL=90%; LTPD=18.9%)	MIL-STD-750D:2026 MIL-STD-883G:2003 MIL-STD-202G:208H IPC/EIA J-STD-002
	Soldering Iron	T. sol = 350 ± 5°C Dwell Time= 3.5 ± 0.5 seconds	11 PCS (CL=90%; LTPD=18.9%)	MIL-STD-202G:208H JEITA ED-4701:300 302

10. Others

The appearance and specifications of the product may be modified for improvement, without prior notice.