



### Features:

- No UV or IR light radiation.
- Provide 120° beam angles.
- Easy Installation:
- Very Low Power Consumption:  
Less than 24 Watts/m
- Long lifetime: 25000 hours (L<sub>70</sub>).
- High CRI: 70-85
- Correlated Color Temperature: 2700-12000K
- Operating temperature: -20°C ~ +60°C
- 12V DC input.
- 120 leds per meter, 5 meter per roll, each 3 leds as one series, each series can be cutted.
- LED type: 2835 LED
- Waterproof grade: IP65

### Benefits:

- Energy Cost Savings:  
Over 60% Compared to Incandescent.
- Solid-State:  
High-Shock & High-Vibration Resistant,  
Both Electrical and Mechanical
- Eco-Friendly:  
No Mercury, No Lead Content
- No Hazardous Emissions:  
No UV or IR Radiation
- Constant Light Output:  
Even Lighting, Non-Halation

### Application:

- Advertisement signboard lighting
- Exhibition stand lighting
- Showcase lighting
- Jewelry lighting
- Club lighting
- Bar lighting

**Product Specifications:**

Input Voltage	12V DC
Wattage	24W/m
Operating Frequency	50-60Hz
Operating Temperature	-20°C ∞ +60°C
Storage Temperature	-30°C ∞ +70°C
Net Weight per piece (Kg)	----
Certification	RoHS Compliant

**Product Selection Guide:**

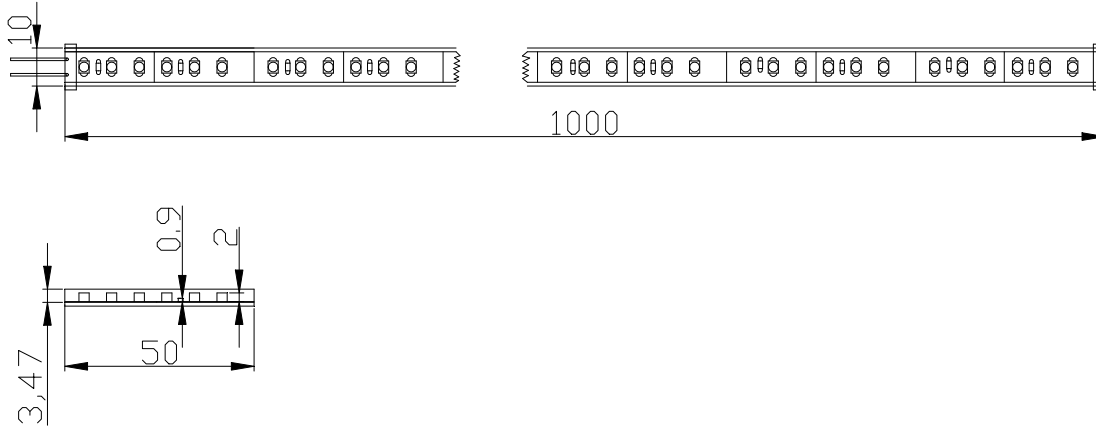
Product	Beam Angle	Total Lumens	CCT	Color	CRI
LS-2835WW120RN1	120°	2200±5%	3700-3200K	Warm White	≥ 70
LS-2835W120RN1	120°	2400±5%	6000-6500K	White	≥ 70

**LS-/2835/XX/120/RN/1**

①                      ②                      ③                      ④                      ⑤                      ⑥

- ① LS: Light Strip light
- ② 2835: 2835 LED type
- ③ XX: W( White)    WW(Warm White)
- ④ 120: 120 pcs of LED
- ⑤ RN: DC 12V input
- ⑥ 1: Waterproof grade:IP65

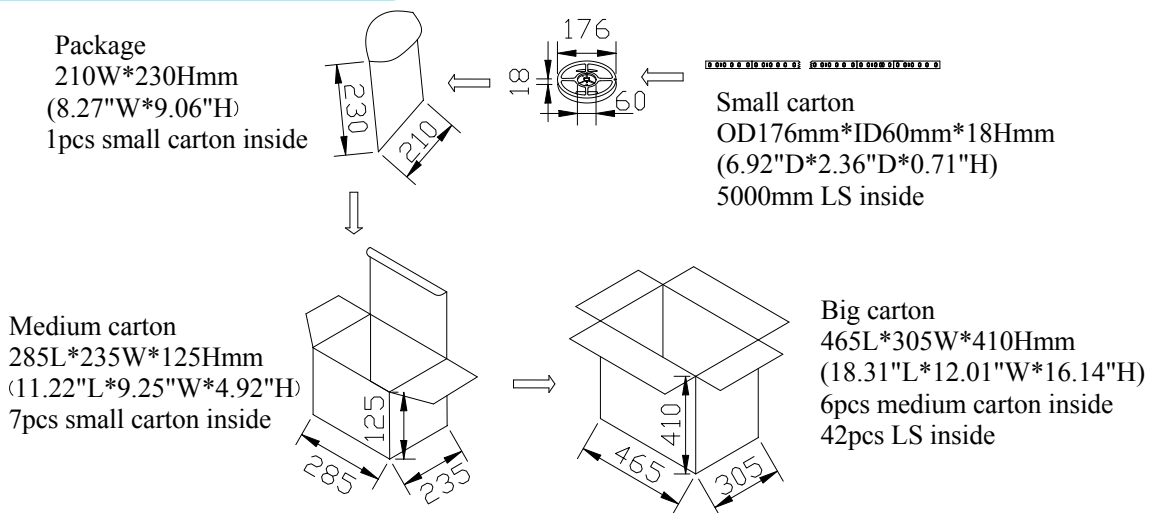
**Product Dimensions:**



**Notes:**

1. All dimensions unit in mm
2. Tolerances is  $\pm 1$ mm unless otherwise noted.

**Package Dimension**



### Installation Instructions and Warnings:

- Turn off power before inspection, installation, or removal.
- Not for use where exposed to the weather
- Do not use in totally enclosed fixtures.
- Not for use with dimmers.
- Please make sure to use a suitable adapter. Please mind the minimum load of your adapter.
- 5A adapter (May actuate 10 meter lamp strip):  
Adapter Input Voltage: AC100-240V  
Adapter Output Voltage: DC12V  
Operation Range: 90 – 264VAC  
The maximum input current is measured at maximum load: 0.5A@ 100~240VAC