



Cat.6A Keystone Jack UTP Toolless 180° Rotating Button Type

Part no.: NK4013

Technical Features

Category 6A Class EA 10G 500 MHz

ISO/IEC 11801 and TIA/EIA 568C.2

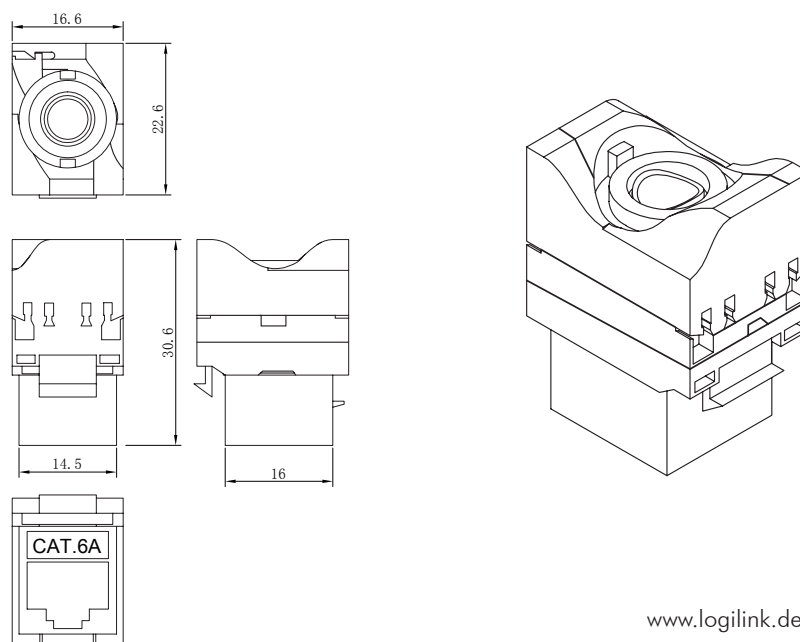
Toolless 180° rotating button type

AWG 23–24 (0,50-0,58mm)

180° cable entry with O.D. 5,0-7,5mm

Dimension (LxWxH): 30,5 x 16,5 x 23,2mm

Technical Drawings



NK4013



4 052792 040180

Made in China

www.logilink.de



RoHS
compliant



* The specifications and pictures are subject to change without notice.
*All trade names referenced are the registered trademark of their respective owners.

Package Contents

Cat.6A Keystone Jack x 1

Packaging Informations

Packing Dimension	110 x 80 x 20mm
Packing Weight	0.01kg
Carton Dimension	540 x 360 x 330mm
Carton Q'ty	1000pcs
Carton Weight	9.6kg



NK4013



4 052792 040180

Made in China

www.logilink.de



RoHS
compliant



* The specifications and pictures are subject to change without notice.
*All trade names referenced are the registered trademark of their respective owners.