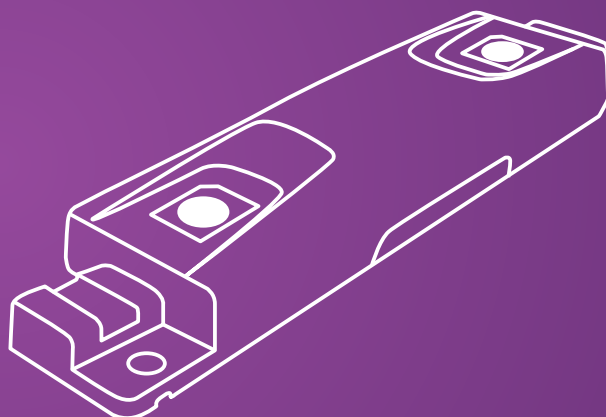


LEDDEX Premium Line

LED Module for small-medium sized signage

- _ High luminous efficiency - 92 lm/W
- _ IC and CC drivers
- _ 5 years warranty
- _ LEDs by SAMSUNG
- _ Flame retardant RESIN body
- _ Can be cut between every module

5 YEAR
WARRANTY
SAMSUNG LED



LM-SAG1-X2

GENERAL INFORMATION

FEATURES

- _ High reliability LEDs by SAMSUNG (5252)
- _ High luminous efficiency - 92 lm/W
- _ Intelligent Control driver (IC)
- _ Constant current driver (CC)
- _ Flame retardant RESIN body (meets UL94 V-1 flammability standard)
- _ Can be cut between every module
- _ Attached 3M double-sided adhesive tape

APPLICATIONS

- _ Typically used in small-medium size signage
- _ Can depth/returns: 80 - 150 mm
- _ Medium size light boxes
- _ Double-sided projecting signs

VISUAL APPEARANCE



TECHNICAL SPECIFICATIONS

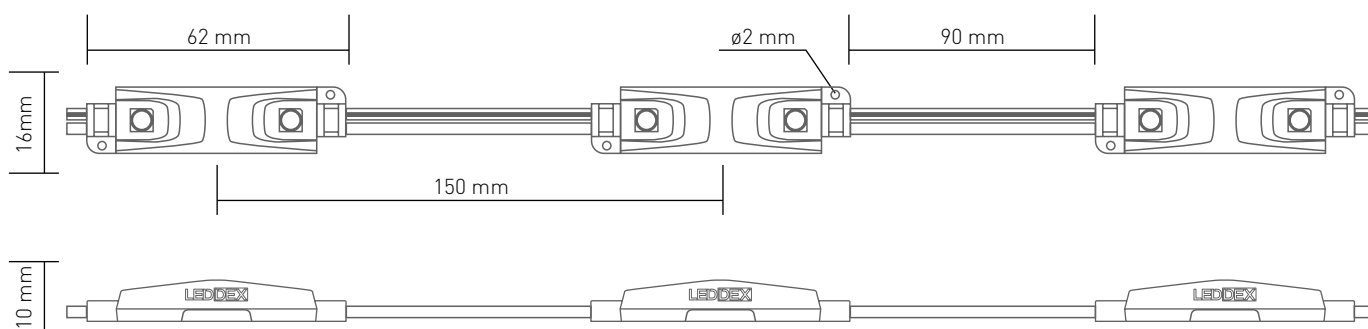
MAIN SPECIFICATIONS

Product code	LM-SAG1-W2	LM-SAG1-R2	LM-SAG1-B2
Available colors	white	red	blue
Color temperature, K	7100~7500K	-	-
Power, W	0.48W	0.37W	0.48W
Typical luminous flux, lm	44 lm	-	-
LED Type	5252 (SAMSUNG LED)		
Dimensions	62 x 16 x 10 mm		
Protection class	IP67 - fully enclosed body, Flame retardant RESIN body		

OTHER SPECIFICATIONS

Drivers	Intelligent Control (IC), Constant current (CC), Dimming: available
Working temperature	-0C° ~ +50C°
Cable length	Cable: 90 mm, Between centers: 150 mm
Mounting	Double-sided adhesive tape and mounting holes
Packaging	30 pcs. per bag, 210 pcs. per inner carton, 1680 pcs. per outer carton

TECHNICAL DRAWING



LM-SAG1-X2

LAYOUT AND SIZE COMPARISON

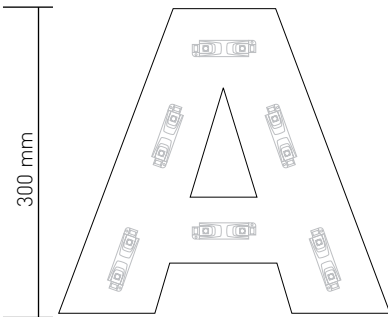
DEPTH RECOMMENDATION

PREMIUM SERIES LED MODULES

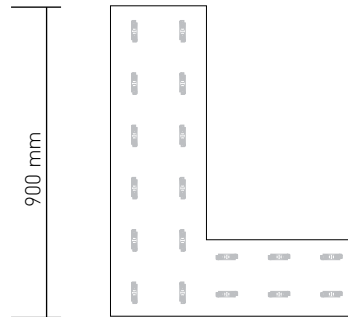
Product	Letter / Lightbox / Projector sign depth, mm																						
	40	50	60	70	80	90	100	110	120	130	140	150	160	170	180	190	200	210	220	230	240	250	
LM-SAG2-W1	◆	◆	◆	◆	◆	◆																	
LM-SAG1-X2					◆	◆	◆	◆	◆	◆	◆	◆											
LM-SAG1-X3														◆	◆	◆	◆	◆	◆	◆	◆	◆	◆
LM-SAG2R-W1		◆	◆	◆	◆	◆	◆	◆	◆	◆	◆	◆	◆	◆	◆	◆	◆						

LAYOUT EXAMPLE

LM-SAG1-X2 LED MODULE



Height: 300 mm
Stroke: 80 mm
Depth: 100 mm
Brightness: ~1650 lx
Typeface: Arial Black



Height: 900 mm
Stroke: 280 mm
Depth: 130 mm
Brightness: ~1110 lx
Typeface: Arial Black

SIZE COMPARISON

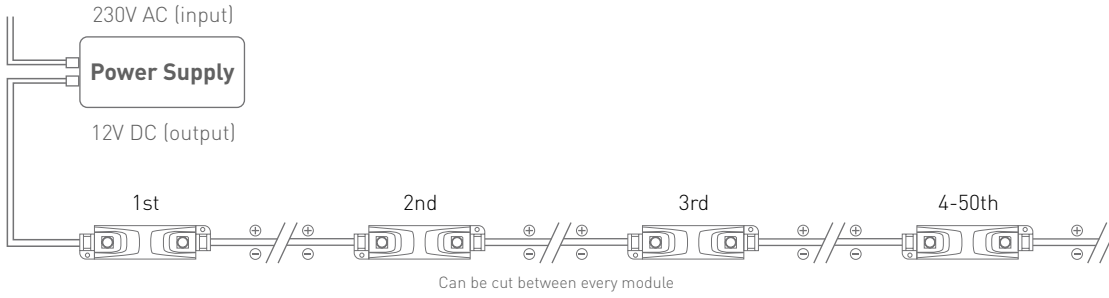
PREMIUM SERIES LED MODULES

Product	Actual proportions of the LED modules	
LM-SAG2-W1		
LM-SAG1-X2		
LM-SAG1-X3		
LM-SAG2R-W1		

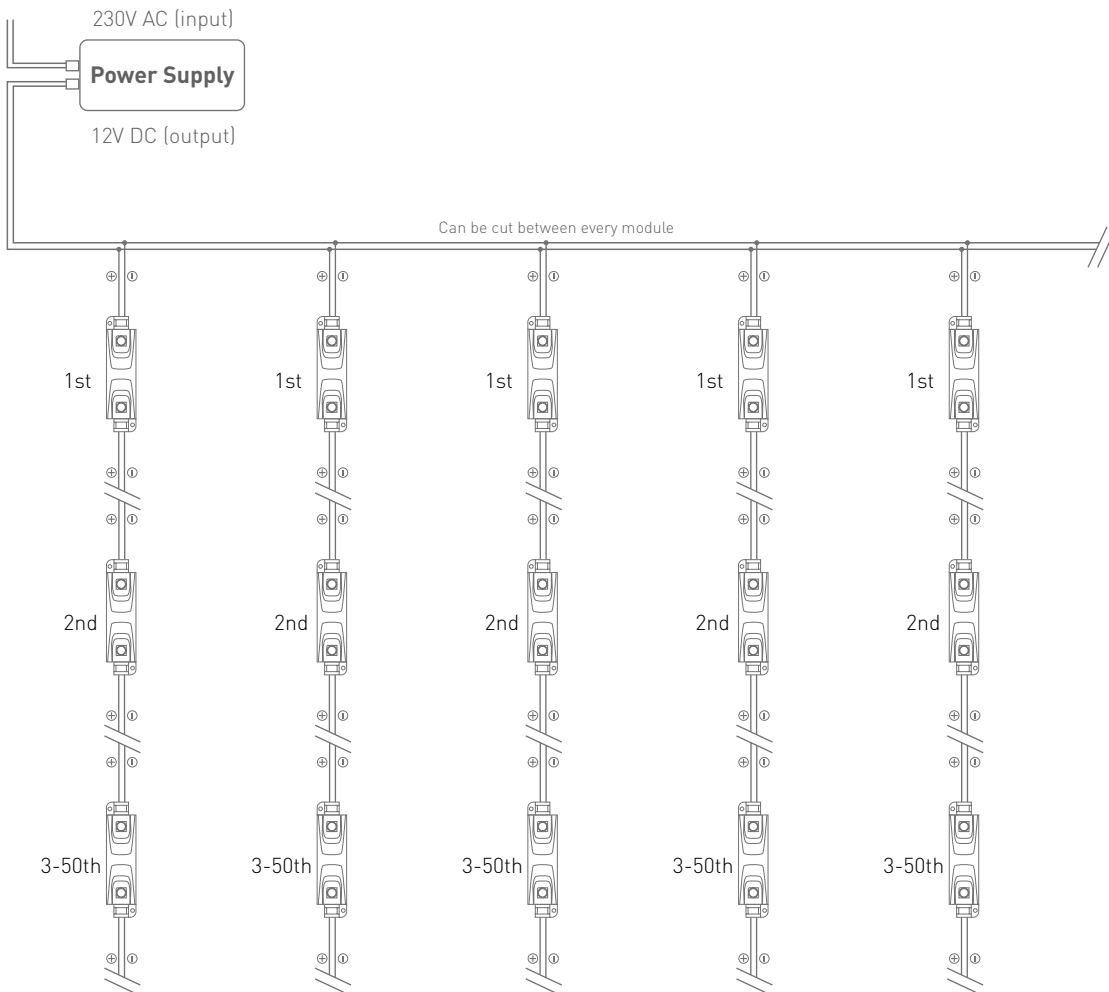
LM-SAG1-X2

CONNECTION IN SERIES AND PARALLEL

CONNECTION IN SERIES



CONNECTION IN PARALLEL



LM-SAG1-X2

_POWER SUPPLIES AND PACKAGING

POWER SUPPLIES

MAX. NO. OF MODULES PER POWER SUPPLY

Product	LPS-12V18W Power: 18W	LPS-12V60W Power: 60W	LPS-12V100W Power: 102W
LM-SAG2-W1 (0.6W per pc.)	25	84	142
LM-SAG1-X2 (0.48W per pc.)	31	103	175
LM-SAG1-X3 (0.72W per pc.)	21	69	117
LM-SAG2R-W1 (1.44W per pc.)	10	35	59

PACKAGING

NO. OF MODULES PER PACKAGE

Product	Plastic bag	Inner carton	Outer carton
LM-SAG2-W1	50	200	2400
LM-SAG1-X2	30	210	1680
LM-SAG1-X3	30	210	1680
LM-SAG2R-W1	20	100	500

