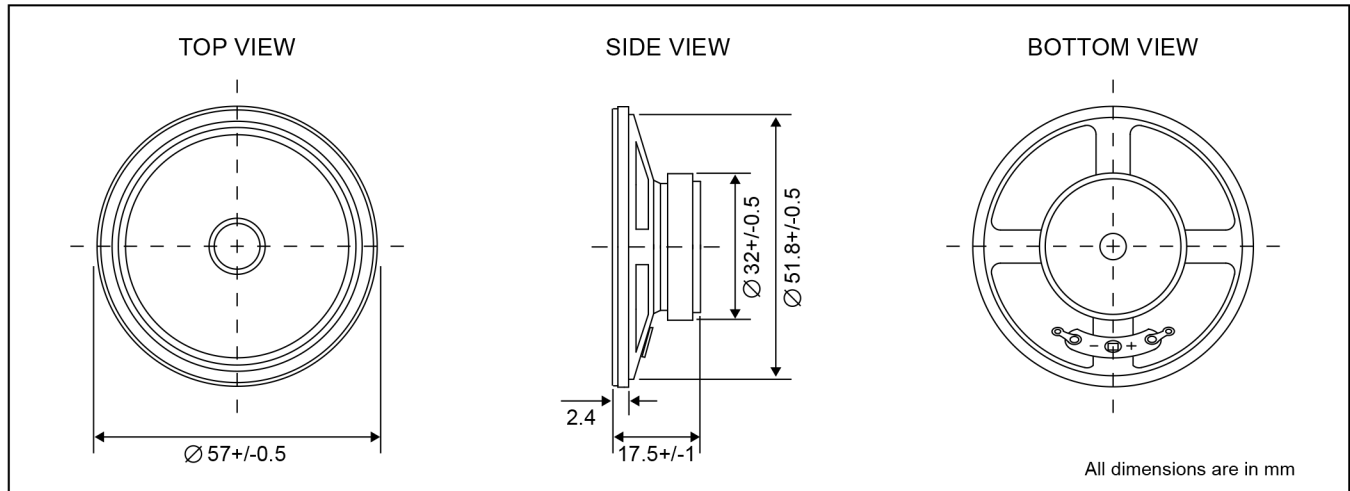


Mylar Speaker MSE57 Series



DIMENSIONS

Date : 30 Dec.,2016



Ref. no. : CX416-R



ELECTRICAL SPECIFICATIONS

Model No.	LD-SP-5704
Diameter	57 +/- 0.5 mm
Height	17.5 +/- 1.0 mm
Back Dia.	32 +/- 0.5 mm
Output S.P.L.	98 +/- 3 dB [at 0.1W/0.1M, at 0.8, 1.0, 1.2,1.5 KHz]
Impedance	4 ohm +/- 15%
Resonant Freq. [Fo]	550 Hz +/- 20%
Freq. Response	Fo ~ 4500 Hz
Rated Input Power	3.0 W
Max. Input Power	3.5 W
Buzzer & Rattles	Must Be Normal [Sine Wave 3.46 V, Fo ~ 20KHz]
Load Test	Must Be Normal [White Noise 3.0 W, 96 Hours]
Heat Test	Must Be Normal [70 +/- 3 °C, 96 Hours]
Cold Test	Must Be Normal [-30 +/- 3 °C, 96 Hours]
Humidity Test	40 +/- 3 °C, 92 ~ 95% 96 Hours
Case Material	Metal
Magnet	External Magnet
Operating Temperature	-20 ~ +60 °C
Storage Temperature	-30 ~ +70 °C
Weight	55 g