

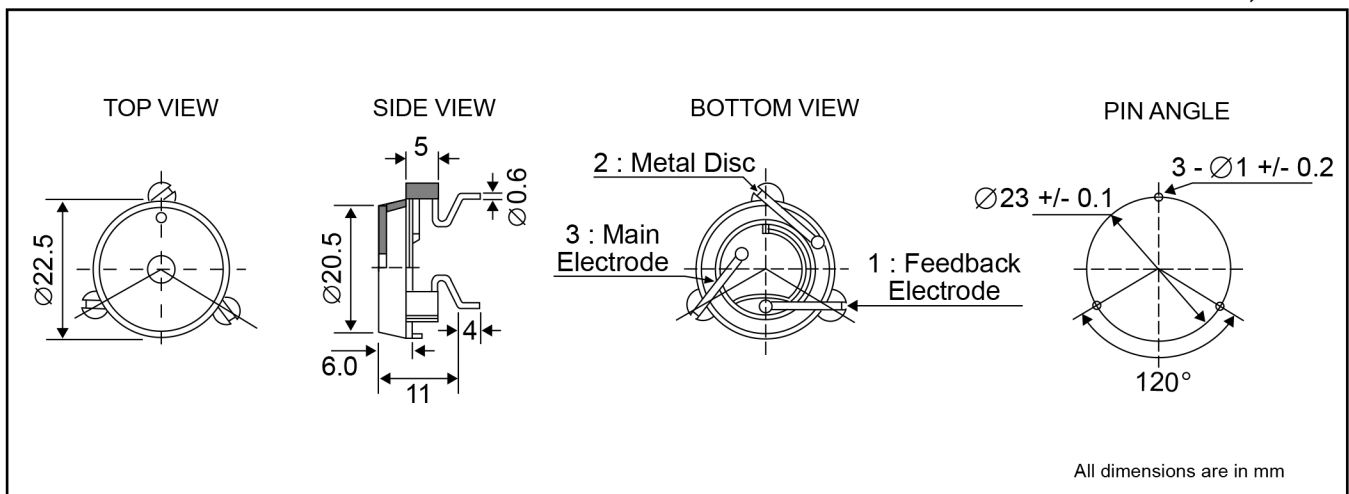
Self Drive Piezo Transducer

SPTS09 series



DIMENSIONS

Date : 22 Nov., 2011

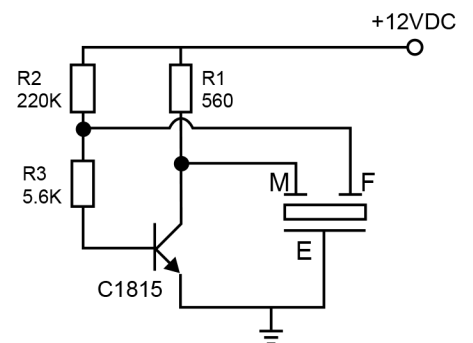


Ref. no. : US323-R



ELECTRICAL SPECIFICATIONS

Model No.		LD-SDPT-2211
Operating Voltage	[VDC]	3 ~ 18
Rated Voltage	[VDC]	12
Max. Rated Current	[mA]	15
Min. Sound Output	[dBA / 30cm]	80
Frequency	[Hz]	3500 +/- 500
Operating Temperature	[°C]	-20 ~ +70
Terminal		Pin
Housing Material		ABS
Colour		Grey
Weight	[gm]	2.5



Recommended Circuit