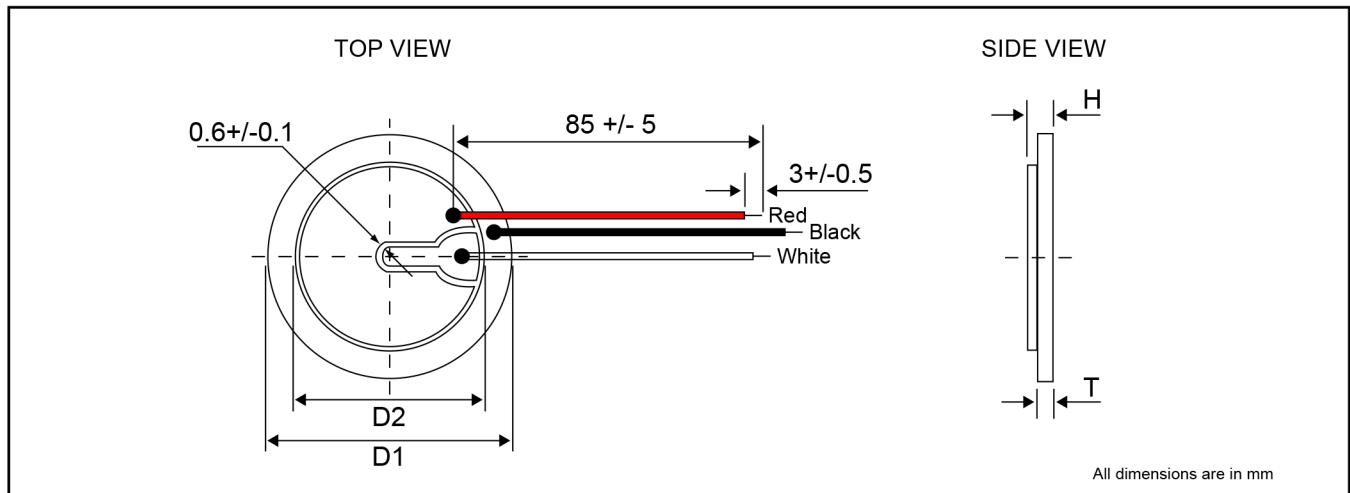


Self Drive Piezoceramic Element SPF series



DIMENSIONS

Date : 10 Jun.,2014



Ref. no. : HH001-R



ELECTRICAL SPECIFICATIONS

Model No.		LD-SDPE-3525
Metal Diameter (D1)	[+/-0.1mm]	34.7
Ceramic Diameter (D2)	[+/-0.5mm]	25
Metal Thickness (T)	[+/-0.03mm]	0.30
Total Height (H)	[+/-0.05mm]	0.53
Frequency	[Hz]	3100 +/- 300
Main Capacitance	[pF]	36000 +/- 30% at 100Hz
Feedback Capacitance	[pF]	5000 +/- 25% at 100Hz
Max. Resonant Impedance	[ohm]	200
Min. Insulation Resistance	[ohm]	200M
Max. Input Voltage	[Vp-p]	30
Terminal		Wire - UL1571 AWG#28
Metal Material		Stainless Steel
Metal Colour		Silver
Weight	[gm]	3.5