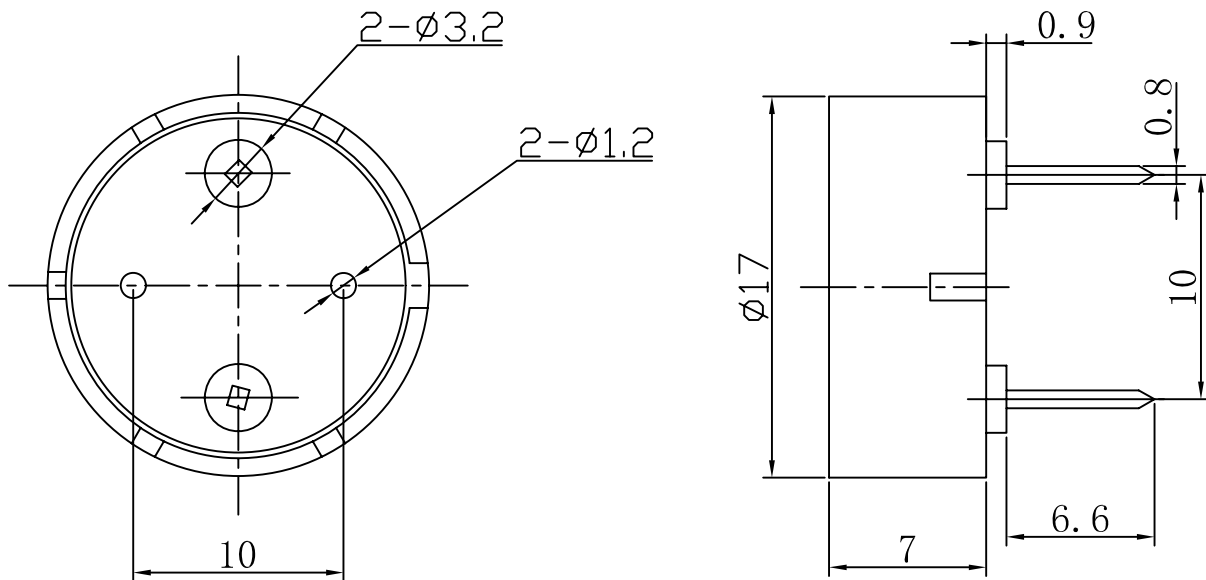


SPECIFICATION SHEET

Type	Unit	LD-BZPN-1705
Rated voltage (Square Wave)	V p-p	5
Operating Voltage	V p-p	1 - 30
*Rated Current (MAX)	mA	1
* Min Sound Output at 4 KHz/ 10cm	dB	78
*Resonant Frequency	Hz	4000 ± 500
Capacitance at 120Hz	pF	15000 ± 30%
Lead Pin Material	Phosphor Bronze	
Operating Temperature	° C	-20 - +70
Storage Temperature	° C	-30 - +80
Weight	g	1

*Value Applying at Rated Voltage.

DIMENSIONS UNIT:mm Tolerance: ±0.5mm



HOUSING METERIAL:NORYL WAVE SOLDER AND WASH NOT ALLOWED.