

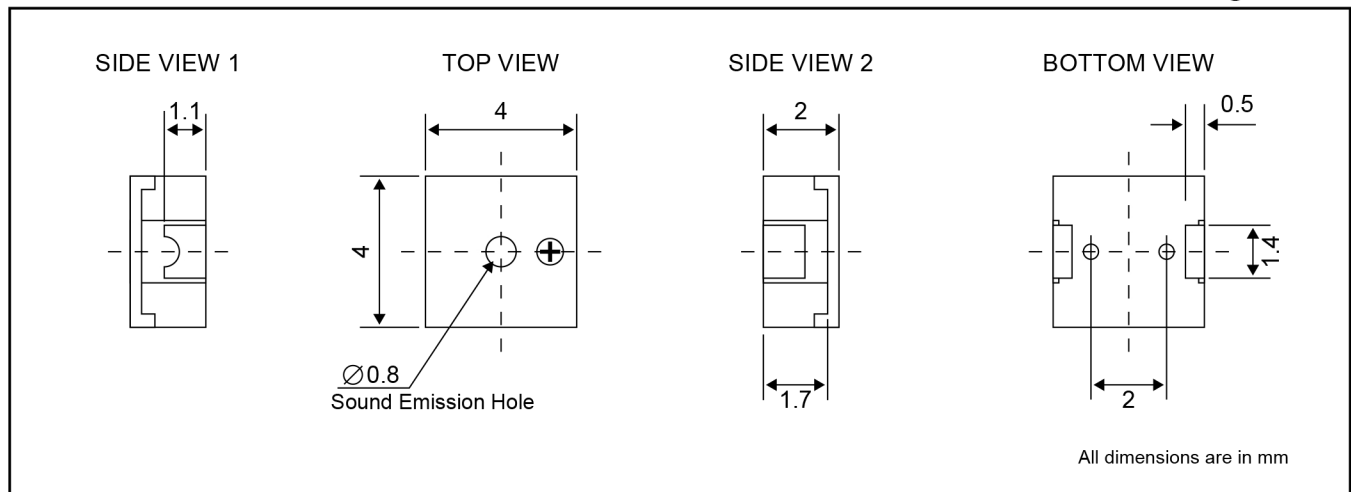
# Magnetic Transducer

## SMT69 series



### DIMENSIONS

Date : 07 Aug.,2015



Ref no. : FD031-R



### ELECTRICAL SPECIFICATIONS

Model No.		LD-BZEL-T69-0404
Operating Voltage	[Vo-p]	2 ~ 4
Rated Voltage	[Vo-p]	3
* Max. Rated Current	[mA]	90
Coil Resistance	[ohm]	17 +/- 3
* Min. Sound Output	[dBA /5cm]	65
Resonant Frequency	[Hz]	1100
Operating Temperature	[°C]	-20 ~ +70
Storage Temperature	[°C]	-30 ~ +80
Terminal		SMD
Housing Material		LCP
Colour		Black
Weight	[gm]	0.1

\* Value applying rated voltage [resonant frequency, 1/2 duty, square wave] and recommended circuit [HFE >200, min.2.5mA]