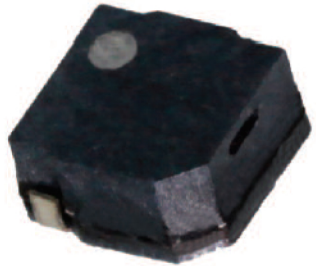


loudity

SMT46

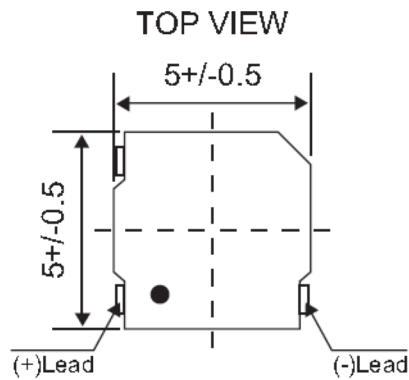


MATERIALS

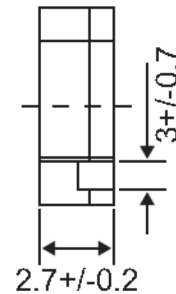
Color - Black
Plastic Material - LCP
Terminal - SMD Type

Weight

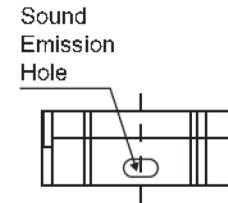
approx. 0.6 gm.



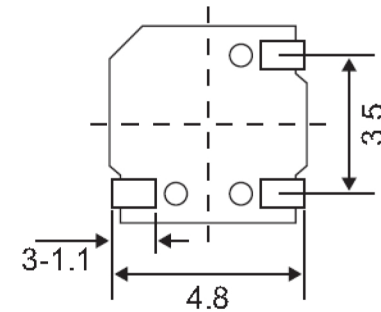
SIDE VIEW 1



SIDE VIEW 2



BOTTOM VIEW



All dimensions are in mm
Unspecified Tolerance are +/-0.5mm

Model	Unit	LD-BZEL-T46-0505
Operating Voltage	Vo-p	2 ~ 4
Rated Voltage	Vo-p	3
* Max. Rated Current	mA.	110
Coil Resistance	ohm	12 +/- 3
* Min. Sound Output at 10cm	dBA	78
Resonant Frequency	Hz	4000
Operating Temperature	°C	-20 ~ +60