

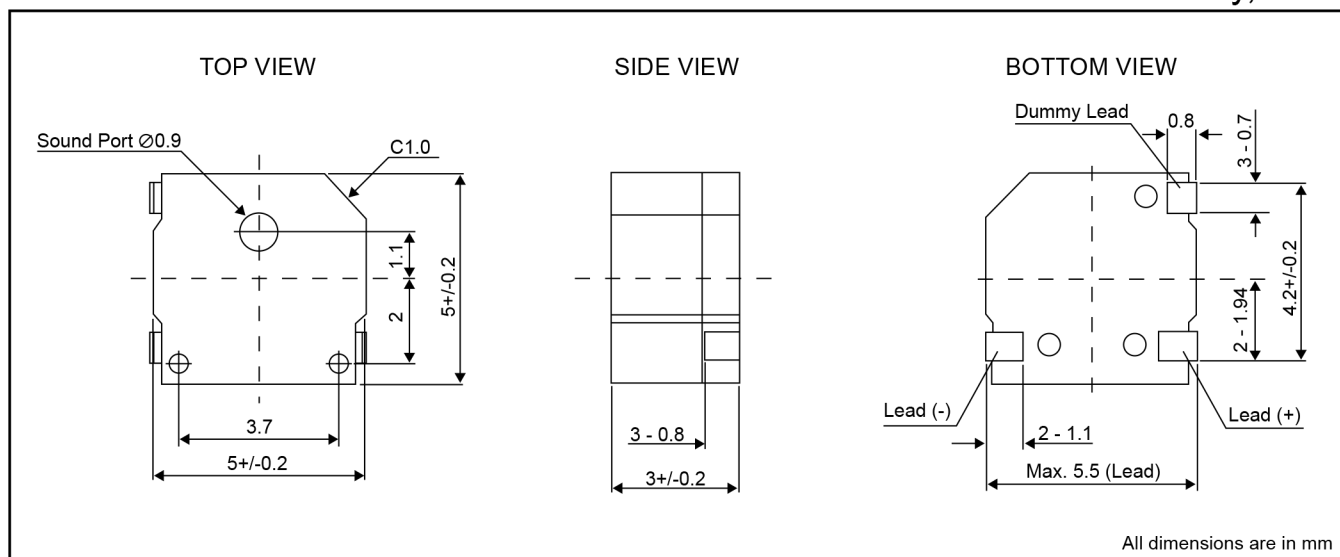
Magnetic Transducer

SMT22 series



DIMENSIONS

Date : 9 July, 2008



Ref. no. : CS116

Remark : RoHS compliance

ELECTRICAL SPECIFICATIONS

Model No.		LD-BZEL-T22-0503
Operating Voltage	[V]	2 ~ 4
Rated Voltage	[V]	3.0
* Max. Rated Current	[mA]	90
Coil Resistance	[ohm]	17 +/- 2
* Min. Sound Output	[dBA /10cm]	75
Resonant Frequency	[Hz]	4000
Operating Temperature	[°C]	-30 ~ +85
Storage Temperature	[°C]	-40 ~ +90
Terminal		SMD
Housing Material		LCP
Colour		Black
Weight	[gm]	0.5

* Value applying rated voltage [resonant frequency, 1/2 duty, square wave] and recommended circuit [HFE >200, min.2.5mA]