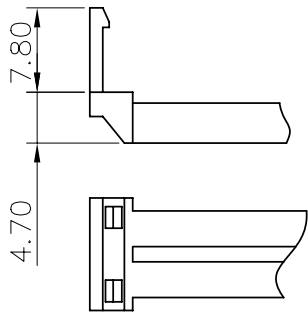
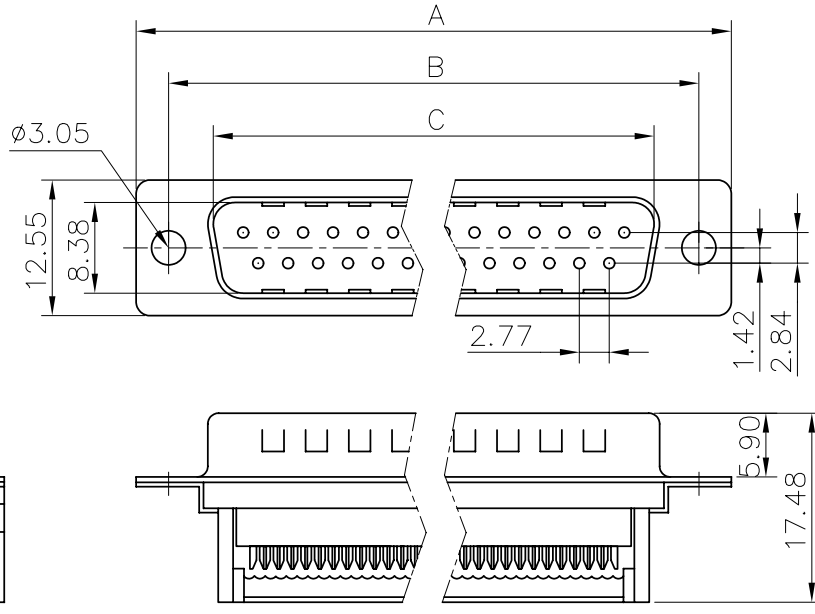


This document is the property of Amphenol Corporation and is delivered on the express condition that it is not to be disclosed, reproduced or used, in whole or in part, for manufacture or sale by anyone other than Amphenol Corporation without its prior consent. It is not to be used to disclose or to use any information in this document.



Strain Relief

# Customer drawing



Nb OF CONTACTS	A	B	C
09	30.84	24.99	16.92
15	39.24	33.32	25.50
25	53.04	47.04	38.96
37	69.32	63.50	55.42

REVISIONS				
SYM	ECN	DESCRIPTION	DATE	APPROVED
1			04/17/08	

## D-SUB TECHNICAL DATA

SHELL : Steel, 100u"min tin over 50u"min nickel  
 BODY : Glass filled thermoplastic.  
 Flame retardant to UL94 V-0 color black  
 CONTACTS : Brass, gold flash over 1.25um (50u") min nickel  
 ELECTRICAL : Voltage rating : 250 V RMS at 60 Hz,  
 Current rating 5A  
 Insulation resistance >1000 M Ohms  
 Contact resistance 20 mOhms max.  
 CLIMATIC : Temperature range -55°C up to 125°C  
 Damp heat 56 days(40 °C-95% HR)  
 MARKING : Amphenol...(Series No.)  
 Commercial reference  
 Manufacturing date

## PRODUCT CODE

**L 17D X FR A XX P**

L : RoHS Compliance

17D : tinned shell for plug and receptacle

Shell size : E,A,B,C

Contact type  
P=Pin

Configuration : 09,15,25,37

Type : A=front metal shell

Flat ribbon cable type

UNLESS OTHERWISE SPECIFIED TOLERANCES		APPROVAL		DATE
U.S.	METRIC	DRAWN	Christina.cui	04/17/08
.X +/-	0.4	CHECKED	Hk.wang	04/17/08
.XX +/-	0.30	CHECKED		
.XXX +/-	0.20	DRAWING FILE :		
FRACTIONS +/-	2'	ANGLE OF PROJECTION		
ANGLES +/-		REMOVE SHARP EDGES		
FOR MATERIALS AND FINISHES SEE NOTES		DIMENSIONS		
		D.S. INCHES		
		METRIC MM		

Amphenol®

TITLE  
IDC Flat Cable D-Sub Series

SIZE	DRAWING NO.	REV.
A4	C L17DXFRAXXP	1
SCALE	NONE	SHEET 1 OF 1