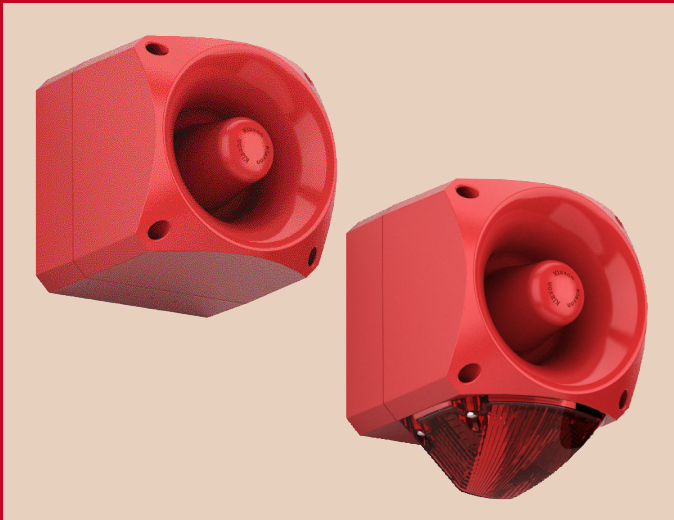


## Nexus 105 (LED)



### Features

- High sound output 105dB (A)
- Quarter turn fasteners for ease of installation
- Wire to base
- High efficiency LED beacon
- IP66 rated
- Volume control for greater flexibility
- Three alarm stages
- Low in-rush current
- Static/flashing mode

### Overview

The Nexus 105 is a high output, low current consumption sounder designed for industrial, fire and marine use.

Connections are made to the base during the initial wiring phase which results in faster and more reliable installation. In addition, the head "clicks into place" and is fixed by quarter turn fasteners avoiding the need to screw up four individual screws thus enabling faster installation and accurate seal compression for weatherproofing.

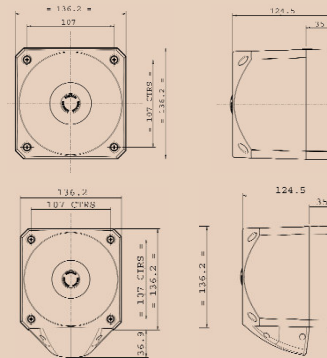
IP66 as standard means that Nexus can be installed in almost any location.

A high efficiency LED beacon can be added to the Nexus sounder. The combination of powerful sounder and high output beacon ensures a very effective audio-visual signal.

110dB and 120dB units are available as part of the Nexus range - see separate datasheet.

### Applications

- Fire alarm; conveyors; process control alarm; cranes; moving machinery; general signalling; marine



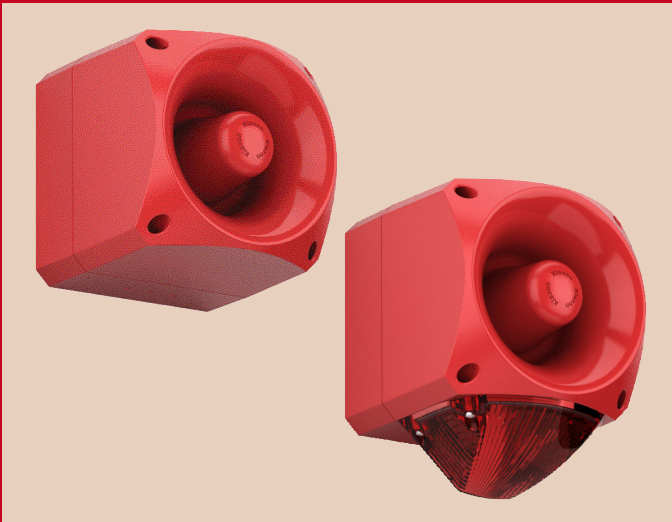
- Fire
- Security
- Industrial
- Railway/Marine
- Hazardous Area
- Public Warning

Part No.	Colours	Audibility at 1m (tone dependent)	Tones	Voltage	Current	
					Sounder	Beacon
18-980542	Red	105dB (A)	64	10-60V DC	18-40mA	
18-980620	Red body, red lens	105dB (A)	64	10-60V DC	18-40mA	18mA (flashing) 65mA (static)
18-980621	Red body, amber lens	105dB (A)	64	10-60V DC	18-40mA	18mA (flashing) 65mA (static)
18-980657	Red body, clear lens	105dB (A)	64	10/60V DC	18-40mA	18mA (flashing) 65mA (static)

Green and blue lenses are also available as part of the sounder beacon range

**IP Rating:** IP66   **Rating:** Continuous   **Frequency:** See Tone Table   **Operating Temp:** -25°C to +70°C  
**Cable Entries:** 5   **Weight:** Sounder 0.7kg; Sounder Beacon 0.8kg

## Nexus 110 (LED)



### Features

- High sound output 110dB (A)
- Quarter turn fasteners for ease of installation
- Wire to base
- High efficiency LED beacon
- IP66 rated
- Volume control for greater flexibility
- Three alarm stages
- Low in-rush current
- Static/flashing mode

### Overview

The Nexus 110 is a high output, low current consumption sounder designed for industrial, fire and marine use.

Connections are made to the base during the initial wiring phase which results in faster and more reliable installation. In addition, the head "clicks into place" and is fixed by quarter turn fasteners avoiding the need to screw up four individual screws thus enabling faster installation and accurate seal compression for weatherproofing.

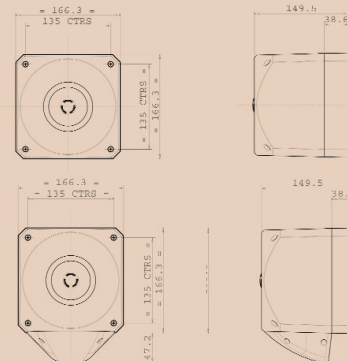
IP66 as standard means that Nexus can be installed in almost any location.

A high efficiency LED beacon can be added to the Nexus sounder. The combination of powerful sounder and high output beacon ensures a very effective audio-visual signal.

105dB and 120dB units are available as part of the Nexus range - see separate datasheet.

### Applications

- Fire alarm; conveyors; process control alarm; cranes; moving machinery; general signalling; marine



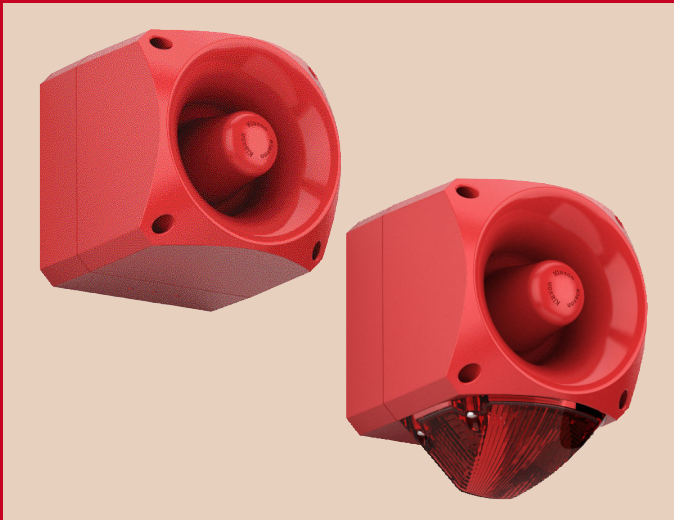
- Fire
- Security
- Industrial
- Railway/Marine
- Hazardous Area
- Public Warning

Part No.	Colours	Audibility at 1m (tone dependent)	Tones	Voltage	Current	
					Sounder	Beacon
18-980554	Red	110dB (A)	64	10-60V DC	18-40mA	
18-980622	Red body, red lens	110dB (A)	64	10-60V DC	18-40mA	18mA (flashing) 65mA (static)
18-980623	Red body, amber lens	110dB (A)	64	10-60V DC	18-40mA	18mA (flashing) 65mA (static)
18-980664	Red body, clear lens	110dB (A)	64	10/60V DC	18-40mA	18mA (flashing) 65mA (static)

Green and blue lenses are also available as part of the sounder beacon range

**IP Rating:** IP66   **Rating:** Continuous   **Frequency:** See Tone Table   **Operating Temp:** -25°C to +70°C  
**Cable Entries:** 5   **Weight:** Sounder 1.1kg; Sounder Beacon 1.2kg

## Nexus 120 (LED)



### Features

- High sound output 120dB (A)
- Quarter turn fasteners for ease of installation
- Wire to base
- High efficiency LED beacon
- IP66 rated
- Volume control for greater flexibility
- Three alarm stages
- Low in-rush current
- Static/flashing mode

### Overview

The Nexus 120 is a high output, low current consumption sounder designed for industrial, fire and marine use.

Connections are made to the base during the initial wiring phase which results in faster and more reliable installation. In addition, the head "clicks into place" and is fixed by quarter turn fasteners avoiding the need to screw up four individual screws thus enabling faster installation and accurate seal compression for weatherproofing.

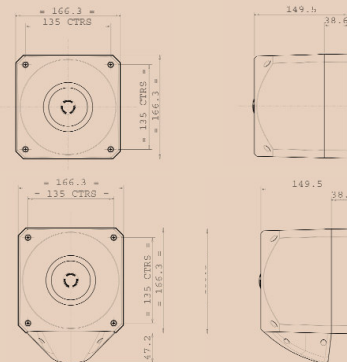
IP66 as standard means that Nexus can be installed in almost any location.

A high efficiency LED beacon can be added to the Nexus sounder. The combination of powerful sounder and high output beacon ensures a very effective audio-visual signal.

105dB and 110dB units are available as part of the Nexus range - see separate datasheet.

### Applications

- Fire alarm; conveyors; process control alarm; cranes; moving machinery; general signalling; marine



- Fire
- Security
- Industrial

- Railway/Marine
- Hazardous Area
- Public Warning

Part No.	Colours	Audibility at 1m (tone dependent)	Tones	Voltage	Current	
					Sounder	Beacon
18-980545	Red	120dB (A)	64	10-60V DC	18-40mA	
18-980635	Red body, red lens	120dB (A)	64	10-60V DC	18-40mA	18mA (flashing) 65mA (static)
18-980636	Red body, amber lens	120dB (A)	64	10-60V DC	18-40mA	18mA (flashing) 65mA (static)
18-980671	Red body, clear lens	120dB (A)	64	10/60V DC	18-40mA	18mA (flashing) 65mA (static)

Green and blue lenses are also available as part of the sounder beacon range

**IP Rating:** IP66   **Rating:** Continuous   **Frequency:** See Tone Table   **Operating Temp:** -25°C to + 70°C  
**Cable Entries:** 5   **Weight:** Sounder 1.8kg; Sounder Beacon 2kg