

THM LOW PROFILE LITHIUM & ALKALINE CELL HOLDERS

"1/2AA" "AA", "2/3A"

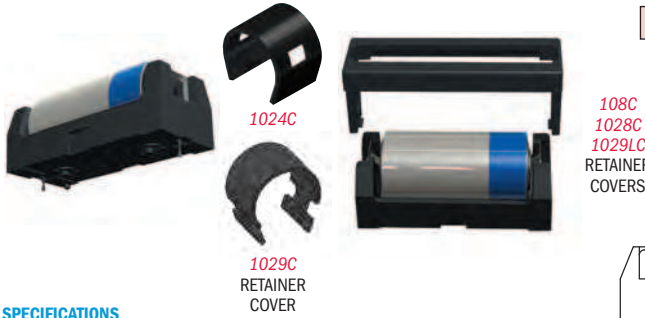
FEATURES

- Snap-In PC contact holds in position for wave soldering
- Tin Nickel Plated contacts for excellent solderability and durability
- Polarity clearly marked for orientation
- Snap-on retainer cover (optional) retains battery securely to withstand shock and vibration. Helps protect against shorting. Tamper-proof.

APPLICATIONS

- Computer memory, power backup systems.
- Telecommunications
- Residential, industrial and commercial security systems
- PLC and industrial controls

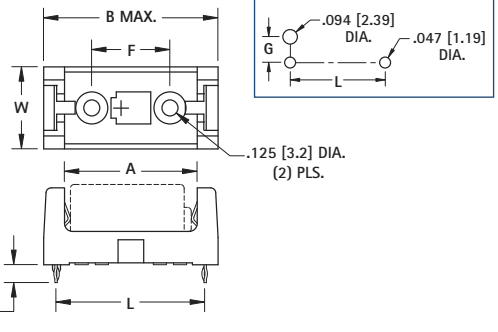
LOW PROFILE



108C
1028C
1029LC
RETAINER
COVERS

1029C
RETAINER
COVER

Mounting Detail



SPECIFICATIONS

Base/Retainer Cover: PBT, UL 94V-0
 Contacts: .012 (.30) Spring Steel, Tin-Nickel Plate
 Operating Temp Range: -60°F to 290°F (-50°C to 145°C)

HOLDER CAT. NO.	COVER CAT. NO.	L	W	H (Ref. Dim)	A	B (MAX)	F	G	CELL SIZE	BATTERY CROSS REFERENCE
108	108C	1.160 (29.5)	.640 (16.3)	.633 (16.1)	1.030 (26.2)	1.360 (34.5)	.610 (15.5)	.279 (7.1)	"1/2 AA"	Energizer 544, Duracell PX28L, Kodak K28A & KS28, Panasonic CR14250, Saft LCP3, Maxell 4LR44, Sanyo CR14250SE
1028	1024C 1028C	2.160 (54.9)	.640 (16.3)	.633 (16.1)	2.030 (51.6)	2.360 (59.9)	1.610 (40.9)	.279 (7.1)	"AA"	Energizer, Duracell, Panasonic, Sanyo, Varta, Rayovac, Tadiran
1029	1029C 1029LC	1.500 (38.1)	.720 (18.3)	.712 (18.1)	1.375 (34.9)	1.700 (43.2)	.950 (24.1)	.32 (8.1)	"2/3 A"	Duracell DL2/3A, Kodak K123L, Panasonic CR123A, Saft 450SC & VR0450, Sanyo CR17335SE

ULTRA LOW PROFILE

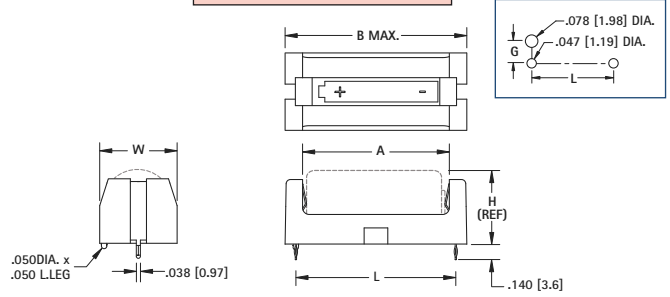


1020C
1024C
RETAINER
COVERS

1018C

1022C

Mounting Detail



DWG. 1

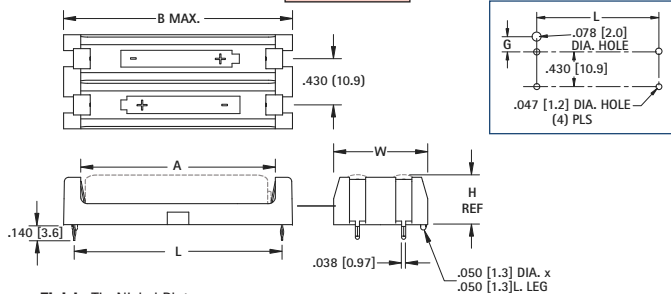
Finish: Tin-Nickel Plate

SPECIFICATIONS

Base: High Temp Nylon 46 - UL 94V-0
 Contacts: .012 (.30) Phosphor Bronze
 Operating Temp Range: -60°F to 290°F (-50°C to 145°C)

DUAL "AAA"

Mounting Detail

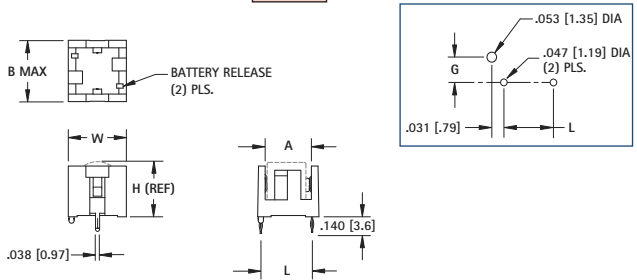


DWG. 2

Finish: Tin-Nickel Plate

"1/3N"

Mounting Detail



DWG. 3

Finish: Tin Plate

HOLDER CAT. NO.	COVER CAT. NO.	DWG NO.	L	W	H (Ref. Dim)	A	B (MAX)	G	CELL SIZE	BATTERY CROSS REFERENCE
1019	1018C	1	1.487 (37.8)	.720 (18.3)	.682 (17.3)	1.365 (34.7)	1.690 (42.9)	.319 (8.1)	"2/3 A"	Duracell DL2/3A, Kodak K123L, Panasonic CR123A, Saft 450SC & VR0450, Sanyo CR17335SE
1017	1024C	1	1.156 (29.4)	.612 (15.5)	.603 (15.3)	1.030 (26.2)	1.360 (34.5)	.265 (6.7)	"1/2 AA"	Energizer 544, Duracell PX28L, Kodak K28A & KS28, Saft LCP3, Maxell 4LR44, Sanyo CR14250SE
1015	1024C	1	2.145 (54.5)	.612 (15.5)	.603 (15.3)	2.040 (51.8)	2.359 (59.9)	.265 (6.7)	"AA"	Energizer, Duracell, Panasonic, Sanyo, Varta, Rayovac, Tadiran
1021	1020C	1	1.933 (49.1)	.500 (12.7)	.445 (11.3)	1.810 (46.0)	2.140 (54.4)	.209 (5.3)	"AAA"	Energizer, Duracell, Panasonic, Sanyo, Varta, Rayovac, Tadiran
1023	1022C	2	1.933 (49.1)	.875 (22.2)	.445 (11.3)	1.810 (46.0)	2.140 (54.4)	.182 (4.6)	"AAA" (2)	Energizer, Duracell, Panasonic, Sanyo, Varta, Rayovac, Tadiran
503	-	3	.450 (11.4)	.540 (13.7)	.506 (12.9)	.430 (10.9)	.570 (14.5)	.240 (6.1)	"1/3 N"	Duracell DL1/3N, Sanyo K58L, Energizer CR1/3N

THM BATTERY HOLDERS