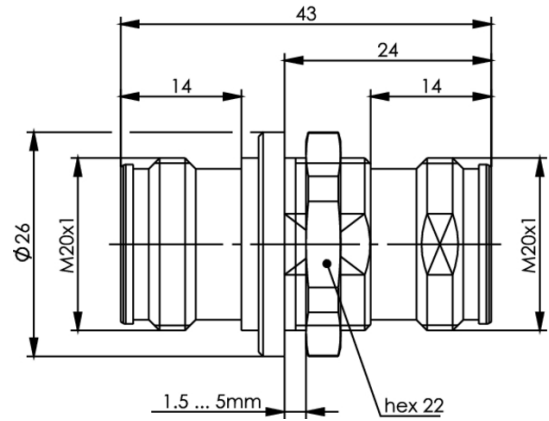


order number: J01442A0002



Technical Attributes	
Remarks	f-f
Mount. dim.	Z150