

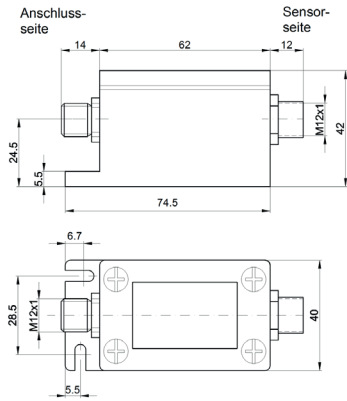
Inductive proximity switches are contact-free sensors. They detect all conductive metals, regardless of whether they move or not. The achievable sensing range of the devices depends on the object material and its dimensions. The vibration-resistant sensors can be approached laterally or frontally. Inductive proximity switches are used for presence detection (e.g. goods carriers), positioning (e.g. dampers), counting (e.g. nuts /bolts), speed detection (e.g. for cog wheels), on conveyor systems (e.g. hose feedings) or distance measurements (e.g. press-in checking) of metallic objects.


TECHNICAL DATA

Degree of protection (IP)	IP65
Material housing	Aluminium
Galvanic separation between input and output	NO
Galvanic separation between supply voltage and all other current circuits	NO
Inherently safe according to EN 60947-5-6 NAMUR	NO
Line monitoring	YES
No-load current	25mA
Number of output circuits transistor pnp	1
Power consumption	0.75W
Rated supply voltage at DC (min/max)	10V / 30V
Reverse polarity protection	YES
Short-circuit-proof	YES
Suited for safety functions	NO
Switching frequency	2000Hz
Type of electric connection	Plug-in connection M12
Type of power supply	Active
Voltage drop	2V
With LED indication	YES
With communication interface RS-232	NO
Operation temperature (min/max)	-25°C / 75°C

CONNECTION

DIMENSIONAL DRAWING



ADDITIONAL INFORMATION