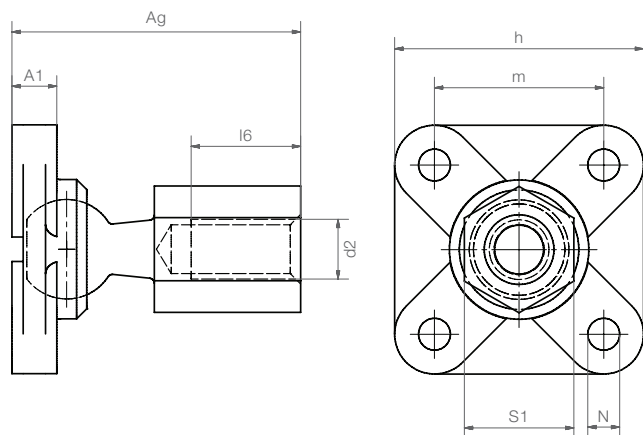


Complete housing with ball stud,
female thread: GFSM-...-IG



- Maintenance-free and corrosion-resistant
- Easy connection – easy assembly
- Compensation of misalignment errors



Order key

Type	Size [mm]	Version	Options
------	-----------	---------	---------

GF S M - 06 - IG

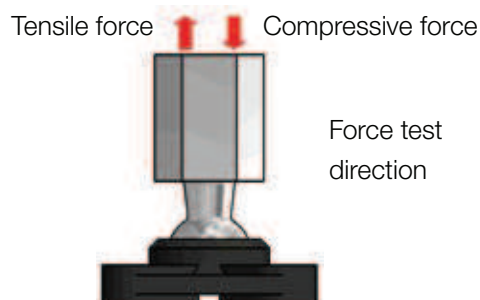
Flange Mounted	4 holes	Metric	Inner Ø	Female thread	Ball stud Blank: ball stud made of galvanised steel ES: ball stud made from stainless steel ²⁸⁾

Material:

Housing: **igumid G** ▶ Page 1496

Ball stud: galvanised and stainless steel²⁸⁾

▶ Accessories, page 778



Technical data

Part No.	Max. static tensile force		Max. static compressive force		Weight [g]
	Short-term [N]	Long-term [N]	Short-term [N]	Long-term [N]	
GFSM-06-IG	150	75	350	175	16.4
GFSM-08-IG	250	125	750	375	34.0
GFSM-10-IG	140	70	1,200	600	61.1

Dimensions [mm]

Part No.	d2	m	h	Ag	A1	I6	N	S1	Max. pivot angle
GFSM-06-IG	M6	17.0	25.0	29.0	4.5	11.0	3.2	SW11	32°
GFSM-08-IG	M8	22.0	33.0	36.0	5.5	12.0	4.3	SW14	40°
GFSM-10-IG	M10	26.0	38.0	43.5	6.5	16.0	5.3	SW17	34°

²⁸⁾ Stainless steel ball stud upon request