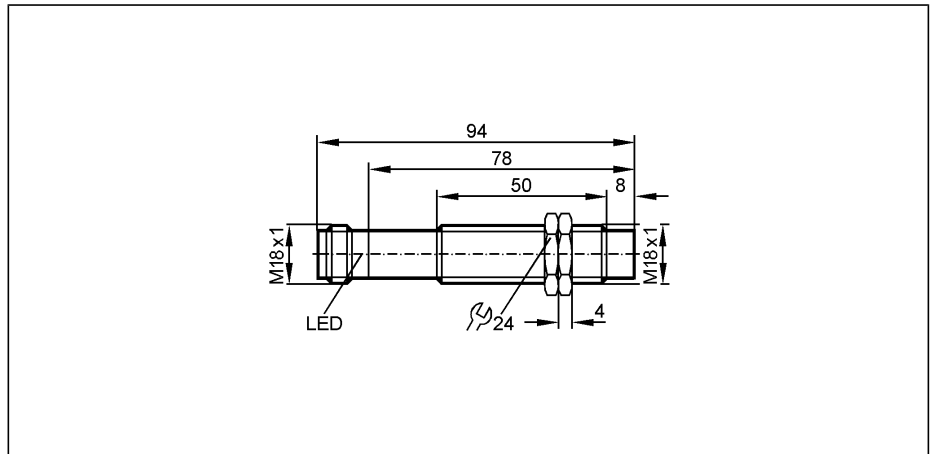


Inductive sensors

IG5893

IGA3008-BPKG/BS-201-APS
Inductive sensor
Metal thread M18 x 1
Connector

Sensing range 8 mm [nf]
non-flush mountable



Made in Germany

Electrical design	DC PNP
Output	normally open
Operating voltage [V]	10...36 DC
Current rating [mA]	250
Short-circuit protection	pulsed
Reverse polarity protection	yes
Overload protection	yes
Voltage drop [V]	< 2.5
Current consumption [mA]	< 15 (24 V)
Real sensing range (Sr) [mm]	8 ± 10 %
Operating distance [mm]	0...6.5
Switch-point drift [% of Sr]	-10...10
Hysteresis [% of Sr]	3...15
Switching frequency [Hz]	300
Correction factors	mild steel = 1 / stainless steel approx. 0.7 / brass approx. 0.4 / Al approx. 0.3 / Cu approx. 0.2
Ambient temperature [°C]	-25...80
Protection	IP 65, II
EMC	EN 60947-5-2 EN 55011: class B
MTTF [Years]	1853
Housing materials	brass nickel-plated; PC (polycarbonate)
Function display	
Switching status	LED yellow
Connection	M18 connector
Weight [kg]	0.064
Accessories (included)	2 lock nuts

Wiring

