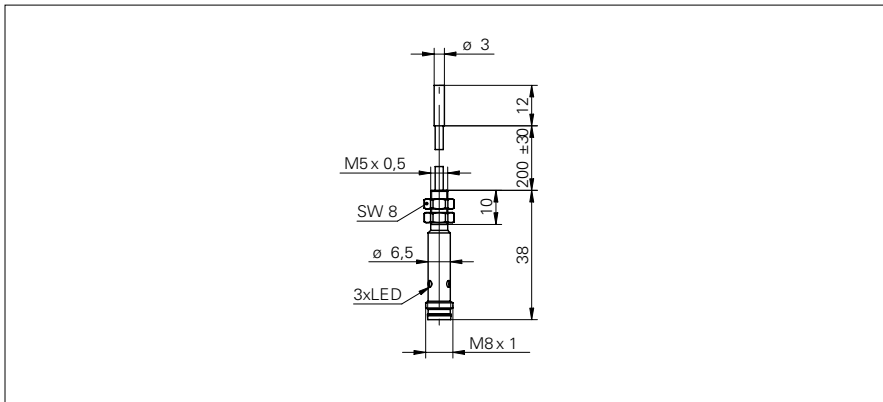


# Inductive proximity switch

# IFRM 03P1505/CS35L

**dimension drawing**



**general data**

mounting type	flush
nominal sensing distance $S_n$	0,8 mm
hysteresis	2 ... 20 % of $S_r$
output indicator	3 port LED red

**electrical data**

switching frequency	< 3 kHz
voltage supply range +Vs	10 ... 30 VDC
current consumption max. (no load)	12 mA
output circuit	PNP make function (NO)
voltage drop $V_d$	< 2 VDC
output current	< 100 mA
short circuit protection	yes
reverse polarity protection	yes

**mechanical data**

type	cylindrical smooth
material (sensing face)	POM
housing material	stainless steel
dimension	3 mm
housing length	12 mm
connection types	connector M8

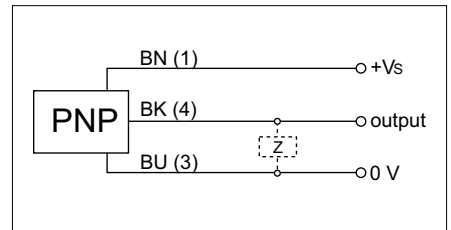
**ambient conditions**

operating temperature	-25 ... +75 °C
protection class	IP 67

**photo**



**connection diagram**



- cable amplifier with M8 x 1 connector
- 12 mm housing length