

SynJet[®] Universal DLM Cooler with HS for Philips Fortimo LED DLM

Features/Benefits

- Perfect for 140mm diameter applications
- Less than 90mm in total height with Fortimo attached
- Enables 2000 lumens in low profile
- Silent Operation
- 100K Hours Lifetime
- Energy Efficient



Overview

SynJet[®] Fanless Air Cooling technology provides the most reliable active cooling solution available today. The SSSL5-CM012-001 is a SynJet[®] cooling module developed by Nuventix, Inc. for cooling a Philips Fortimo LED down light module.

Specifications

Parameter	Θs-a ¹²³	SPL (dBA) ⁴	TDP ⁵ (W)	Power W (5V) ⁶
SynJet Universal DLM Cooler, 2000 lumen	0.75	22	40	1.2
SynJet Universal DLM Cooler, 2000 lumen – Restricted Flow Areas	0.63	28	40	2.0
SynJet Universal DLM Cooler, 1100 lumen	1.66	22	18	1.1

Parameter	Min	Typ	Max	Units	Conditions
Voltage	10.8		13.2	VDC	150mV max ripple p-p;
Power			2.4	W	
Power Lead					Power (Yellow wire) Ground (Black wire) Wire length 240mm with 10 mm stripped and tinned
Operating Temperature	0		50	°C	
Storage Temperature	-40		85	°C	
Storage Altitude			15K	m	Above Sea Level
Relative Humidity (operating)	5		95	%	Non-condensing
Weight			600	gr	Without Philips Fortimo LED DLM; 475-HS, 125-SynJet
Agency Certifications					CE, UL, RoHS
Reliability ⁷			100K	hrs	L10 @ 50°C

¹ In fully open air or well vented fixtures from 25C to 50C in full on condition. Thermal data is given as a reference only. Actual performance may vary by application.

² Thermal resistance is measured from the bottom middle of the heat sink, with a heat source at least 15cm², to ambient air measured at the inlet to the SynJet.

³ SynJet Cooler is suitable for enclosed fixtures but thermal performance will vary depending on the enclosure

⁴ Per ISO 7779

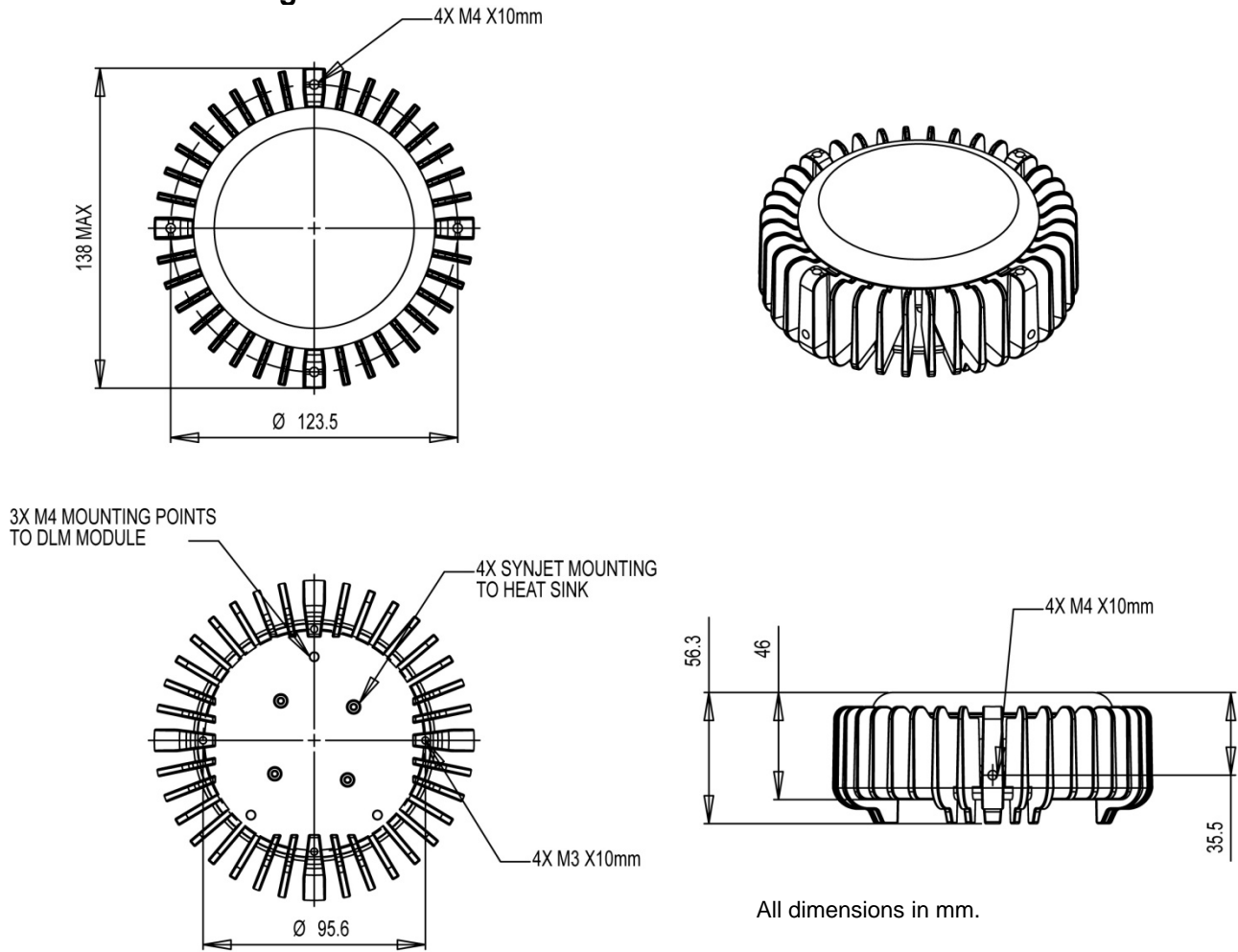
⁵ Total Design Power based on a 40°C delta in temperature

⁶ See Nuventix Design Guide for detailed power requirements

⁷ L10 is the life for which 90% of a group of modules will meet or exceed the specification

PRODUCT

Mechanical drawing



Part Numbers

Philips Fortimo LED DLM Universal Cooler	Document revision: 1.3
SSSLS-CM012-007	SynJet Universal , Downlighter Module, 2000 Lumen Restricted Flow Conditions
SSSLS-CM012-006	SynJet Universal , Downlighter Module, 2000 Lumen
SSSLS-CM012-004	SynJet Universal , Downlighter Module, 1100 Lumen
HSSLS-CALBL-003	SynJet Universal, Heatsink, Rectangular (Lexel) Fortimo LED Downlighter Module
HSSLS-CALBL-002	SynJet Universal, Heatsink, Square Fortimo LED Downlighter Module

Nuventix reserves the right to make changes to the products or information contained herein without notice. No liability is assumed as a result of their use or applications. For additional information, please contact Nuventix directly.