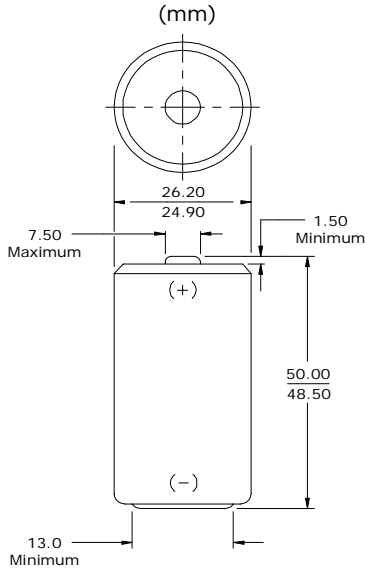




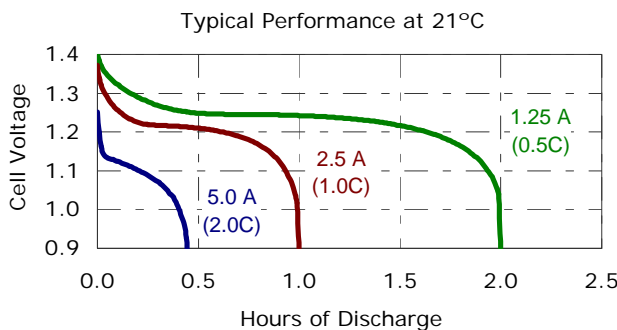
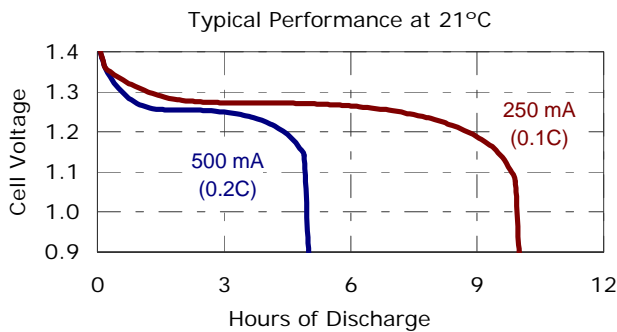
# Energizer Rechargeable C-2500 (HR14)



## Industry Standard Dimensions



## Typical Discharge Characteristics



## Specifications

|                         |  |
|-------------------------|--|
| <b>Classification:</b>  | ACCU Rechargeable  |
| <b>Chemical System:</b> | Nickel-Metal Hydride (NiMH)                                      |
| <b>Designation:</b>     | IEC-HR14   |
| <b>Nominal Voltage:</b> | 1.2 Volts  |
| <b>Rated Capacity:</b>  | 2500 mAh (to 1.0 volts)<br>Based on 500 mA (0.2C) discharge rate |
| <b>Typical Weight:</b>  | 60.0 grams   |
| <b>Typical Volume:</b>  | 26.9 cubic centimeters   |
| <b>Jacket:</b>          | Plastic Label  |

### Internal Resistance:

The internal resistance of the cell varies with state of charge, as follows:

|   |                            |
|---|----------------------------|
| <u>Cell Charged</u>                         | <u>Cell 1/2 Discharged</u> |
| 11 milliohms                                | 21 milliohms               |
| (tolerance of ±20% applies to above values) |                            |

### AC Impedance (No Load):

The impedance of the charged cell varies with frequency, as follows:

|                       |  |
|-----------------------|--|
| <u>Frequency (Hz)</u> | <u>Impedance (milliohms)</u><br>(Charged Cell) |
| 1000                  | 9  |

Above values based on AC current set at 1.0 ampere.  
 Value tolerances are ±20%.

### Operating and Storage Temperatures:

To maintain maximum performance, observe the following general guidelines regarding environmental conditions.

|            |               |
|------------|---------------|
| Charge:    | 0°C to 40°C   |
| Discharge: | 0°C to 50°C   |
| Storage:   | -20°C to 30°C |
| Humidity:  | 65±20%        |

Operating at extreme temperatures, will significantly impact battery cycle life.

### Important Notice

This datasheet contains information specific to batteries manufactured at the time of its publication.

**Contents herein do not constitute a warranty.**

©Energizer Holdings, Inc. - All Rights Reserved