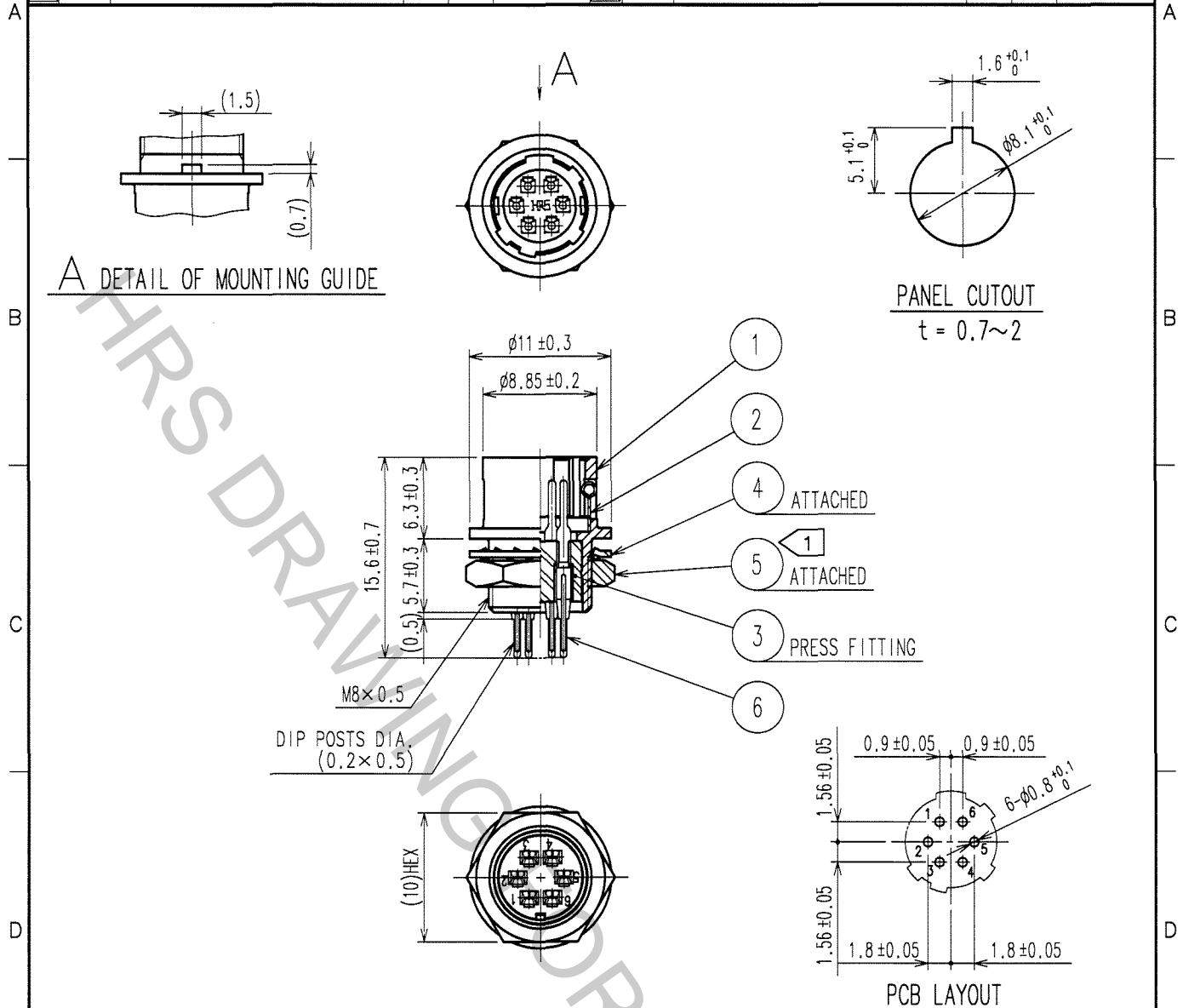


1		2			3			4		
COUNT	DESCRIPTION OF REVISIONS	BY	CHKD	DATE	COUNT	DESCRIPTION OF REVISIONS	BY	CHKD	DATE	
△				..	△				..	
△					△				..	
△					△				..	



NOTE 1 THE RECOMMENDED CLAMP TORQUE OF REF. NO. 5 TO BE 1.5 N · m.
 LOCTITE 242, HENKEL JAPAN OR EQUIVALENT IS RECOMMENDED TO
 PREVENT REF. NO. 5 FROM LOOSENING.

3	PBT	(BLACK) UL94V-0	6	PHOSPHOR BRONZE	SILVER PLATING 2μ m min.
2	STAINLESS STEEL		5	BRASS	NICKEL PLATING
1	ZINC ALLOY	MATTE FINISH NICKEL PLATED	4	PHOSPHOR BRONZE	NICKEL PLATING
NO.	MATERIAL	FINISH, REMARKS	NO.	MATERIAL	FINISH, REMARKS

CODE NO. (OLD)	CL	DRAWN	DESIGNED	CHECKED	APPROVED	RELEASED
		S. Komatsu	D. Matsume	E. Kurui	M. Sato	
		05.11.17	05.11.18	05.11.22	05.11.24	

SCALE	DRAWING NO.	PART NO.
2 : 1	EDC4-022530-73	HR10A-7R-6PB(73)
UNITS	CODE NO.	
mm	CL110-0317-2-73	1/1

TO
R