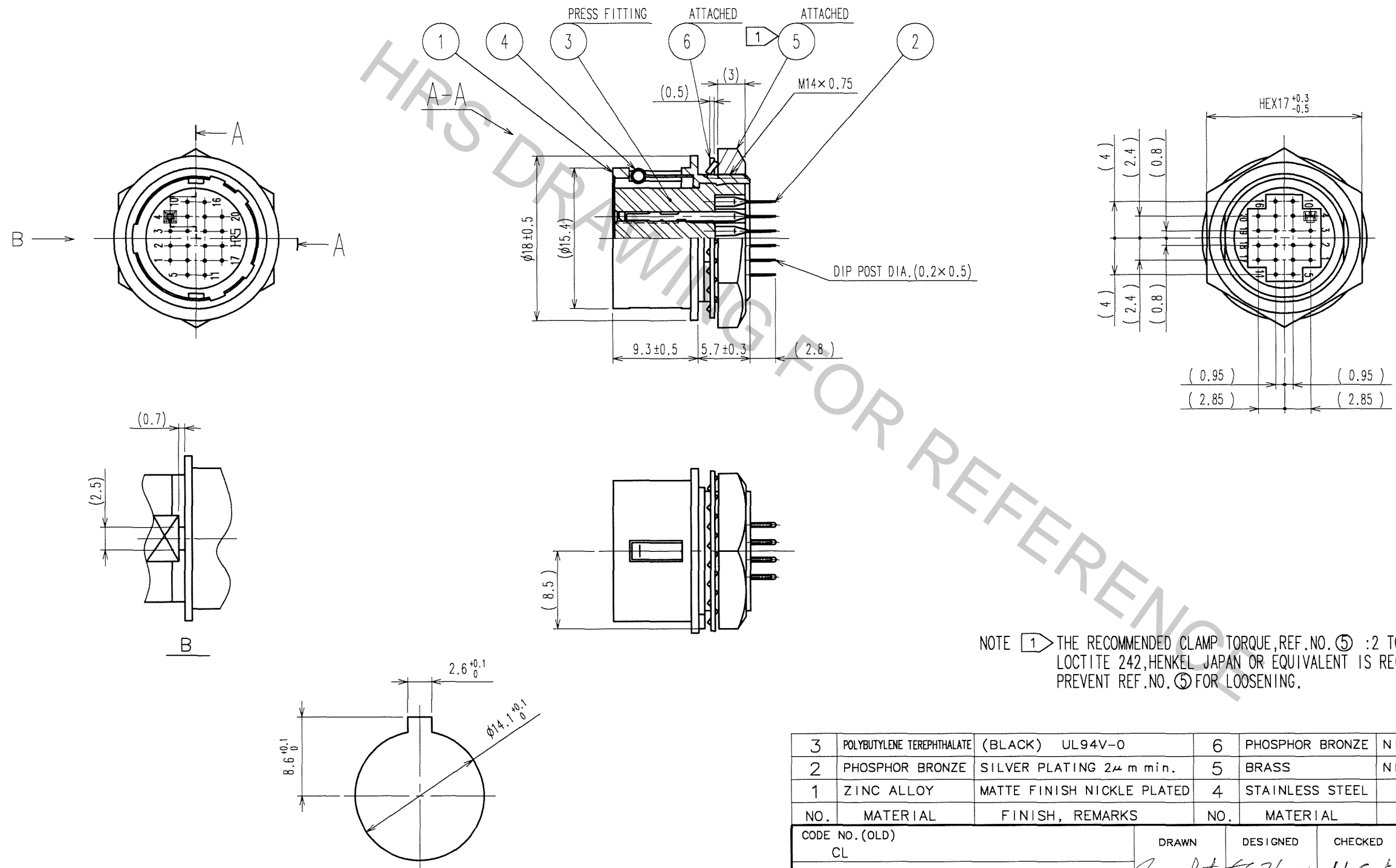


Jan.1.2017 Copyright 2017 HIROSE ELECTRIC CO., LTD. All Rights Reserved.

COUNT	DESCRIPTION OF REVISIONS	BY	CHKD	DATE	COUNT	DESCRIPTION OF REVISIONS	BY	CHKD	DATE
△				..	△				..
△				..	△				..
△				..	△				..



NOTE ① THE RECOMMENDED CLAMP TORQUE, REF. NO. ⑤ : 2 TO 2.5N · m.
 LOCTITE 242, HENKEL JAPAN OR EQUIVALENT IS RECOMMENDED TO
 PREVENT REF. NO. ⑤ FOR LOOSENING.

3	POLYBUTYLENE TEREPHTHALATE (BLACK)	UL94V-0	6	PHOSPHOR BRONZE	NICKEL PLATING
2	PHOSPHOR BRONZE	SILVER PLATING 2μ m min.	5	BRASS	NICKEL PLATING
1	ZINC ALLOY	MATTE FINISH NICKLE PLATED	4	STAINLESS STEEL	
NO.	MATERIAL	FINISH, REMARKS	NO.	MATERIAL	FINISH, REMARKS

CODE NO. (OLD) CL	DRAWN <i>M. Sato</i>	DESIGNED <i>T. Horio</i>	CHECKED <i>M. Sato</i>	APPROVED <i>M. Sato</i>	RELEASED
	07.03.16	07.03.20	07.03.20	07.03.20	..
SCALE 2 : 1	DRAWING NO. EDC3-026771-73	PART NO. HR10A-13R-20SB(73)			
UNITS mm	HRS HIROSE ELECTRIC CO., LTD	CODE NO. CL110-0707-7-73			1/1

TO
R