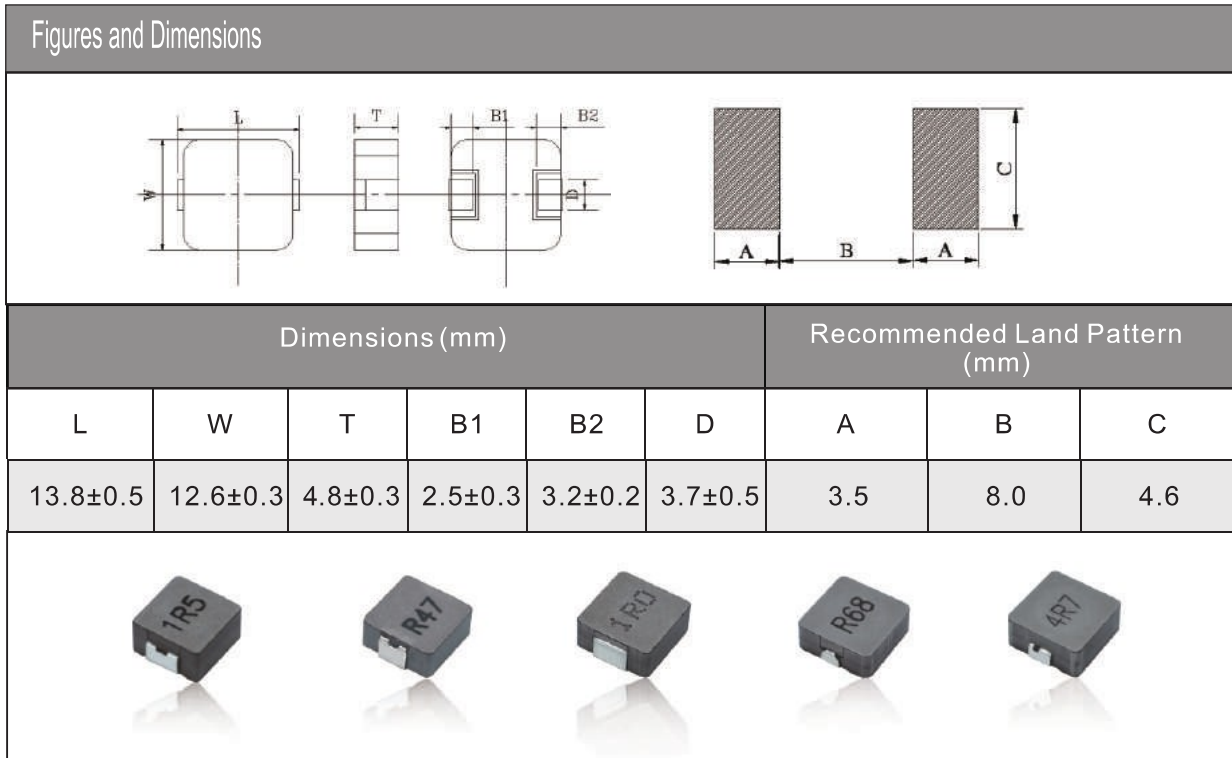


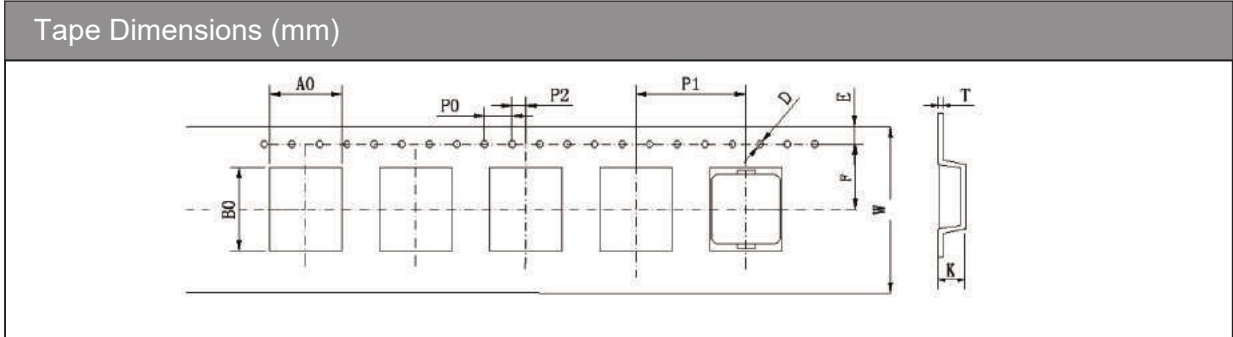
## HIGH POWER INDUCTOR



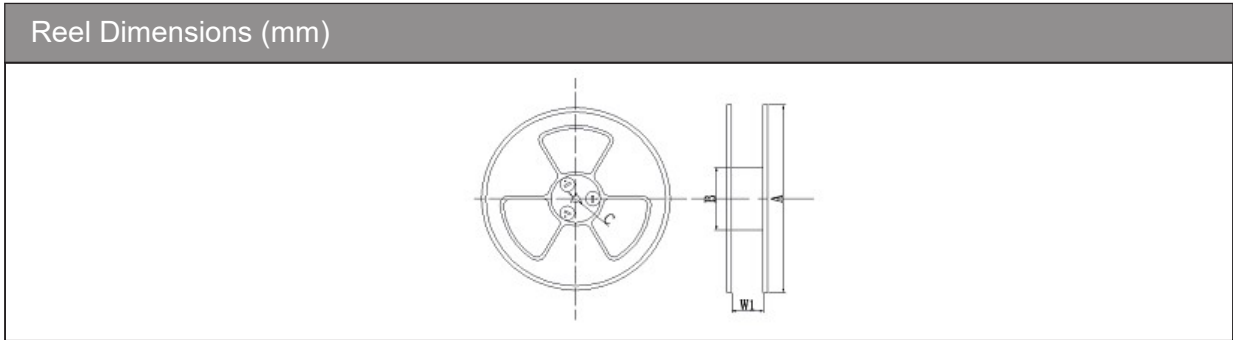
### Electrical Characteristics

Part number	Inductance (μH)@0A	Tolerance	Resistance (mΩ) ±7%	Saturation current Typ.(A)	Heat rating current Typ.(A)
HPI1250-R36	0.36	±20%	0.80	38.0	32.0
HPI1250-R47	0.47	±20%	1.10	35.0	27.0
HPI1250-R68	0.68	±20%	1.40	30.0	25.0
HPI1250-R82	0.82	±20%	1.60	29.0	23.5
HPI1250-1R0	1.00	±20%	1.80	24.0	23.0
HPI1250-1R5	1.50	±20%	2.70	20.0	17.0
HPI1250-2R2	2.20	±20%	3.7	17.0	14.0
HPI1250-3R3	3.30	±20%	7.50	15.0	13.0
HPI1250-4R7	4.70	±20%	8.8	12.5	11.5

## Package



	A0	B0	W	F	E	P1	P2	P0	D	T	K
12 Series	±0.1	±0.1	±0.3	±0.1	±0.1	±0.1	±0.1	±0.1	±0.05	±0.05	±0.1
	13.0	14.0	24	11.5	1.75	16	2.0	4.0	1.5	0.4	H+0.2



	A	B	C	W1	Quality(pcs/Reel)
12 Series	330	100	13.0	24.0	500