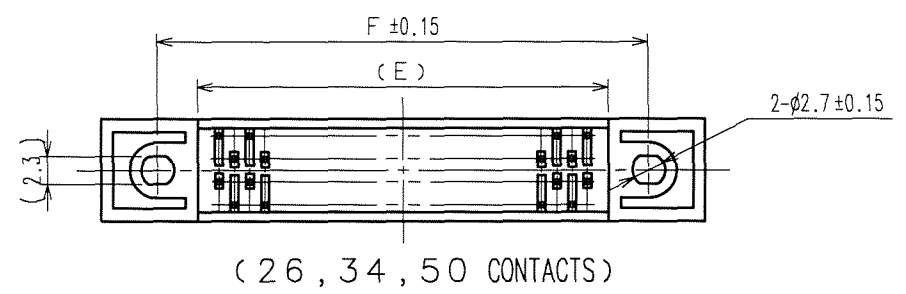
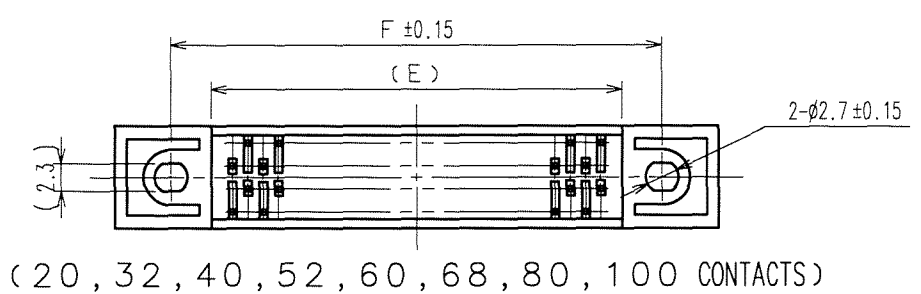
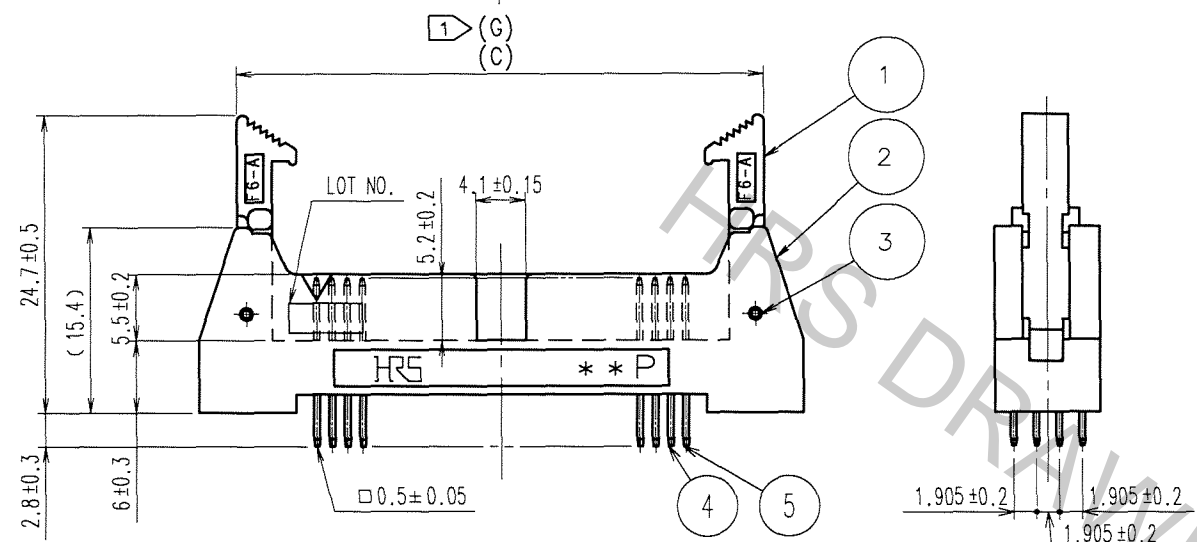
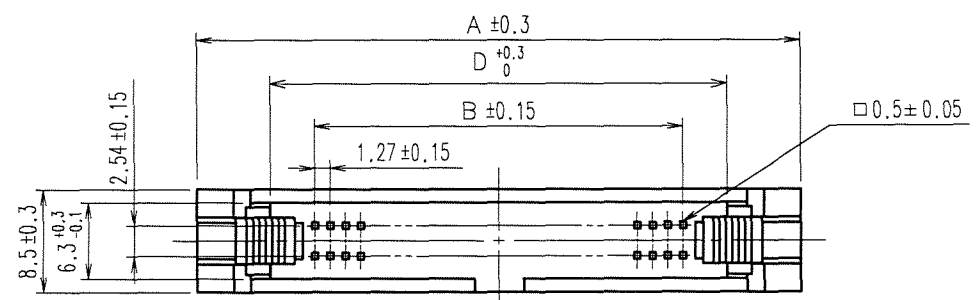
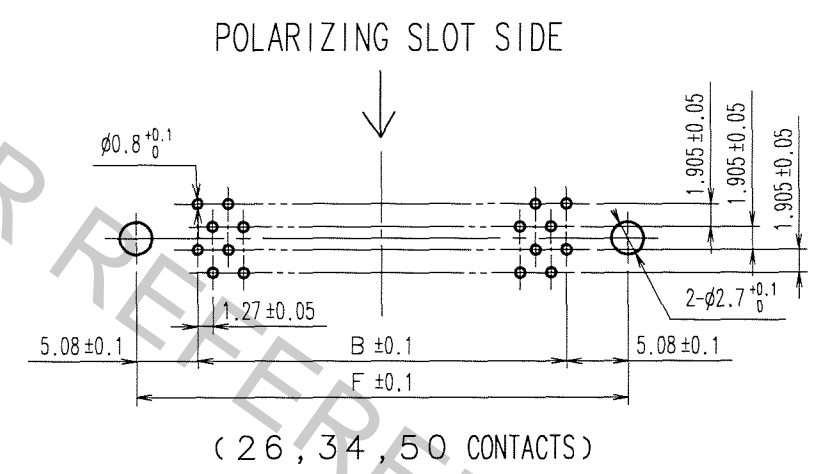
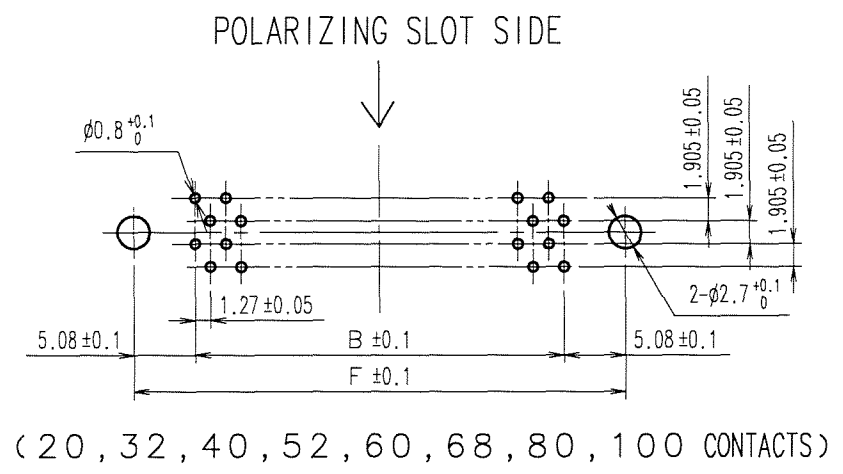


Jan.1.2017 Copyright 2017 HIROSE ELECTRIC CO., LTD. All Rights Reserved.



COUNT	DESCRIPTION OF REVISIONS	BY	CHKD	DATE	COUNT	DESCRIPTION OF REVISIONS	BY	CHKD	DATE
△				..	△				..
△				..	△				..
△				..	△				..

RECOMMENDED PC BOARD HOLE PATTERN (MOUNT SIDE)



NOTE 1 THE UPPER DIMENSION SHOWS WHEN THE LOCK OPEN OUT.
 2 THE DIMENSIONS IN PARENTHESES ARE FOR REFERENCE.
 3 NUMBER OF CONTACTS.

PART No.	CODE No.	3	A	B	C	D	E	F	G
HIF6- 20PA-1.27DSA(71)	CL630-0101-9-71	20	30.95	11.43	24.55	18.75	14.95	21.59	43.55
HIF6- 26PA-1.27DSA(71)	CL630-0102-1-71	26	34.76	15.24	28.36	22.56	18.76	25.40	47.36
HIF6- 32PA-1.27DSA(71)	CL630-0103-4-71	32	38.57	19.05	32.17	26.37	22.57	29.21	51.17
HIF6- 34PA-1.27DSA(71)	CL630-0104-7-71	34	39.84	20.32	33.44	27.64	23.84	30.48	52.44
HIF6- 40PA-1.27DSA(71)	CL630-0105-0-71	40	43.65	24.13	37.25	31.45	27.65	34.29	56.25
HIF6- 50PA-1.27DSA(71)	CL630-0106-2-71	50	50.00	30.48	43.60	37.80	34.00	40.64	62.60
HIF6- 52PA-1.27DSA(71)	CL630-0107-5-71	52	51.27	31.75	44.87	39.07	35.27	41.91	63.87
HIF6- 60PA-1.27DSA(71)	CL630-0108-8-71	60	56.35	36.83	49.95	44.15	40.35	46.99	68.95
HIF6- 68PA-1.27DSA(71)	CL630-0109-0-71	68	61.43	41.91	55.03	49.23	45.43	52.07	74.03
HIF6- 80PA-1.27DSA(71)	CL630-0110-0-71	80	69.05	49.53	62.65	56.85	53.05	59.69	81.65
HIF6-100PA-1.27DSA(71)	CL630-0111-2-71	100	81.75	62.23	75.35	69.55	65.75	72.39	94.35

3	STAINLESS STEEL	4, 5	BRASS	CONTACT AREA: GOLD 0.2μm min. DIP AREA: TIN-PLATING 2μm min. UNDER PLATING: NICKEL 2.5μm min.	
1, 2	PBT	BLACK UL94V-0			
NO.	MATERIAL	FINISH, REMARKS	NO.	MATERIAL	FINISH, REMARKS
CODE NO. (OLD) CL		DRAWN A. SUZUKAWA 06.03.30	DESIGNED H. Nakamura 06.04.04	CHECKED H. Ogawa 06.04.04	APPROVED H. Okawa 06.04.04
DRAWING NO. EDC3-153148-21		PART NO. HIF6-**PA-1.27DSA(71)		CODE NO. CL630	
SCALE FREE		UNITS mm		1/1	

TO
PCK