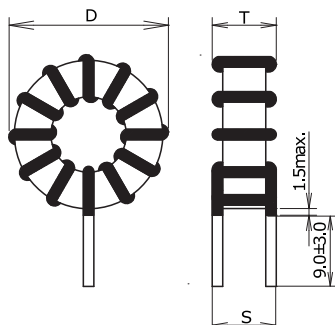


KEMET Part Number: HHBC24W-2R1A0311V
(UALC4N2R1B0039)

KEMET, HHBC, AC Line Filters, Normal Mode, 311 uH, 20%



Dimensions

| | |
|-----------|------------|
| D | 57.6mm MAX |
| T | 30.5mm MAX |
| LL | 9mm +/-3mm |
| S | 24mm NOM |

Packaging Specifications

| | |
|----------------------------|-------|
| Packaging: | Tray |
| Packaging Quantity: | 45 |
| Weight: | 248 g |

General Information

| | |
|-----------------------|---|
| Series: | HHBC |
| Style: | Through-Hole |
| Features: | Noise Solution, Switching Power Supply Outlets, DC-DC Converter |
| RoHS: | Yes |
| Miscellaneous: | 55 (K) Temperature Rise Max. |

Specifications

| | |
|------------------------------|------------|
| Inductance: | 311 uH |
| Inductance Tolerance: | 20% |
| Current: | 15 A |
| Temperature Range: | -40/+125°C |
| DC Resistance: | 20.1 mOhms |