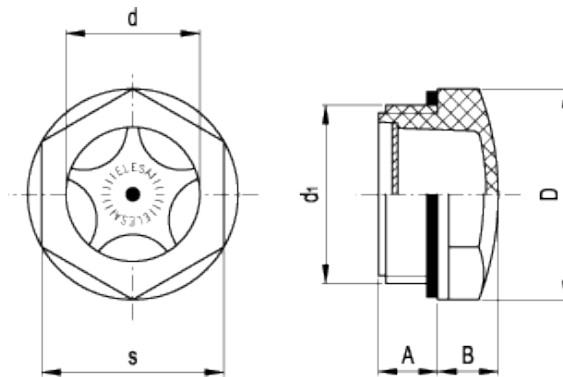


HFTX.

Oil level indicators



ELESA Original design



technical informations

Threaded body with magnifying lens

Transparent polyamide based (PA-T) technopolymer. Resistant to solvents, oils with additives, greases, acids and alkali. Avoid contact with alcohol or detergents containing alcohol.

Star-shaped contrast screen

Matte anodised aluminium with red central level point.

Flat packing ring

NBR synthetic rubber.

Maximum continuous working temperature

110°C.

Accessories on request

Brass nut type [GH](#) for fitting to reservoirs with wall thickness smaller than 5 mm.

Features

The particular shape of the magnifying lens increases and improves visibility even from side positions.

Technical data

An adequate tightening torque (see table below) is recommended when screwing the oil level indicator, so as to guarantee optimal tightness without any deformation of the packing ring. Suggested tightening torque is the result of laboratory tests at ambient temperature (23°C) with indicator, packing ring and reservoir walls perfectly cleaned.

Note

For use with fluids containing special additives, please contact ELESА Sales Department.

Standard Elements		Main dimensions						Tightening torque	Weight
Code	Description	d ₁	A	B	D	d	s	[Nm]	g
13661	HFTX.11-M16x1.5	M16x1.5	8	7	22	11	19	2÷3	4
13681	HFTX.14-M20x1.5	M20x1.5	9.5	8	26	14	22	8÷10	5
13701	HFTX.18-M25x1.5	M25x1.5	8	9	31.5	18	27	8÷10	8
13726	HFTX.21-M26x1.5	M26x1.5	13	9	31.5	18	27	8÷10	8
13711	HFTX.19-M27x1.5	M27x1.5	9	9	31.5	20	27	8÷10	8
13731	HFTX.22-M30x1.5	M30x1.5	9	10	35	22	30	8÷10	10
13751	HFTX.26-M35x1.5	M35x1.5	11	10	40	25	34	8÷10	13
13771	HFTX.31-M40x1.5	M40x1.5	11.5	13	47.5	30	40.5	8÷10	20

Standard Elements		Main dimensions						Tightening torque	Weight
Code	Description	d ₁	A	B	D	d	s	[Nm]	g
13651	HFTX.9-1/4	G 1/4	10	6	18	9	15	2÷3	3
13671	HFTX.12-3/8	G 3/8	7.5	7	22	11	19	3÷5	4
13691	HFTX.15-1/2	G 1/2	10.5	8	26	14	22	4÷6	5
13721	HFTX.20-3/4	G 3/4	10.5	9	31.5	20	27	6÷8	8
13741	HFTX.24-1	G 1	11	10	40	25	34	8÷10	12
13761	HFTX.30-1¼	G 1¼	11.5	13	47.5	30	40.5	8÷10	20



ELESА and GANTER models all rights reserved in accordance with the law. Always mention the source when reproducing our drawings.

STANDARD MACHINE ELEMENTS WORLDWIDE