

MODEL NO. : HCI1365

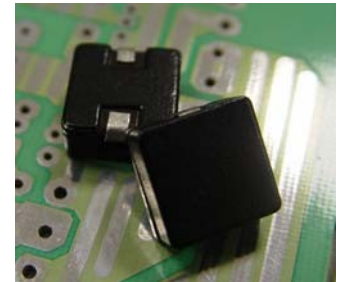


Features :

- * SMD version .
- * Low core loss and high efficiency performance .
- * Close magnetic path for low leakage flux .
- * Low DCR with flat wire design .
- * Compliant with RoHS and Halogen free .

Application :

- * DC/DC converter in power regulation system .
- * Automobile . * Routers . * Solar energy .



Electrical Specification :

PART NO	INDUCTANCE (μ H) $\pm 20\%$ @0ADC	INDUCTANCE (μ H) TYP @TEMPERATURE RISE CURRENT	TEMPERATURE RISE CURRENT (ADC) (NOTE 2)	SATURATION CURRENT (ADC) (NOTE 3)	DCR $\pm 10\%$ (m Ω)
HCI1365-R20	0.20 $\pm 30\%$	0.17	36	65.0	0.37
HCI1365-R47	0.47	0.36	30	50.0	0.64
HCI1365-R82	0.82	0.65	26	35.0	1.04
HCI1365-1R3	1.30	0.95	23	25.0	1.7
HCI1365-2R0	2.00	1.45	20	22.0	2.5
HCI1365-2R8	2.80	2.00	16.5	17.5	3.4
HCI1365-3R7	3.70	2.85	13.5	16.0	4.9
HCI1365-4R7	4.70	3.50	12.5	15.0	6.9
HCI1365-6R0	6.00	4.70	10.5	14.0	8.3
HCI1365-7R4	7.40	5.00	12.0	12.0	5.9
HCI1365-9R2	9.20	6.30	10.5	10.5	7.6
HCI1365-110	11.3	7.90	9.5	9.5	9.1
HCI1365-130	13.0	9.30	8.5	9.0	11.0
HCI1365-150	15.4	11.5	7.0	8.0	14.0
HCI1365-180	18.0	14.0	6.6	7.5	22.0
HCI1365-220	22.0	16.0	6.0	6.5	24.3
HCI1365-330	33.0	23.0	5.3	5.5	30.5

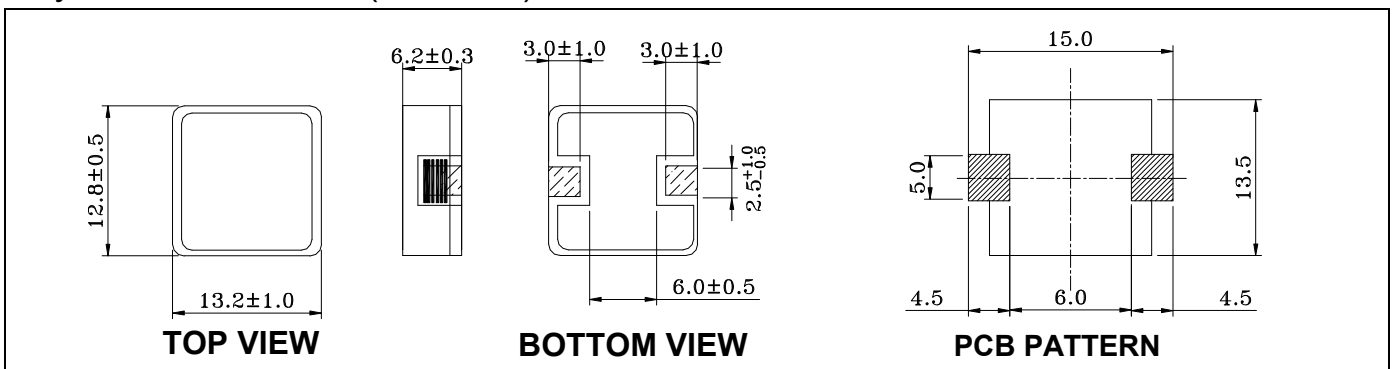
NOTE(1): Measuring condition: 100 KHZ, 0.1Vrms .

NOTE(2): Δ T=40°C approximately under the temperature rise current .

NOTE(3): The saturation current indicates the value of DC current is approximately 30% lower than its initial value of inductance.

NOTE(4): Operating temperature range: -40°C~ +150°C .

Physical Dimension : (unit :mm)



PACKAGING SPEC:

1. REEL SIZE & UNITS PER REEL :13",400PCS.
2. TAPE WIDTH:24mm.
3. REEL WIDTH:29.5mm.
4. COMPONENT PITCH:16mm

