




## Product information GSA-U 2000 N LO schwarz/black

Industrial Connecting Solutions:Rectangular Connectors:Valve Connectors (Type A -B -C):Type A:Receptacle Valve Connectors (DIN EN 175 301-803):GSA-U 2000 N LO schwarz/black

<http://www.e-catalog.beldensolutions.com/link/57078-24228-256261-256266-256270-276216-35139/en/conf/ui/state>

|  |  |
|--|--|
| Name                                     | GSA-U 2000 N LO schwarz/black  |
|  |                                 |
|  | molded appliance coupler (IP 65 enclosure) with 4 cross-head screws and solder lug for flexible cables           |
| <b>Delivery informations</b>             |  |
| Availability                             | available  |
| <b>Product description</b>               |  |
| Description                              | molded appliance coupler (IP 65 enclosure) with 4 cross-head screws and solder lug for flexible cables           |
| Type                                     | GSA-U 2000 N LO schwarz/black  |
| Order No.                                | 933 378-100  |
| Number of contacts                       | 2 + PE   |
| Standard                                 | DIN EN 175 301-803-A   |
| Housing Color                            | black  |
| Construction type                        | A  |
| <b>Technical data</b>                    |  |
| Rated voltage                            | AC/DC 400 V  |
| Rated current                            | 16 A   |
| Contact resistance                       | <= 4 mOhm  |
| Type of termination                      | solder   |
| Mounting                                 | screw  |
| <b>Material</b>                          |  |
| Contact surface material                 | Sn   |
| Contact bearer material                  | PA   |
| Housing material                         | PA   |
| <b>Environmental conditions</b>          |  |
| Protection class (IEC 60529)             | IP 65 (gasket necessary)   |
| Pollution severity                       | 3  |
| Temperature range                        | -40 °C to +125 °C  |
| <b>Inflammability class</b>              |  |
| Contact bearer                           | 94 HB  |
| <b>Approvals</b>                         |  |
| UR                                       | UR   |
| <b>Packing unit</b>                      |  |
| Packaging unit                           | 200 pieces   |
| <b>Scope of delivery and accessories</b> |  |
| Accessories to order separately          | (NBR) flat gasket GSA 200-4,<br>Order no. 730 843-002;<br>(EPDM) flat gasket GSA 200-7,<br>Order no. 730 268-003 |



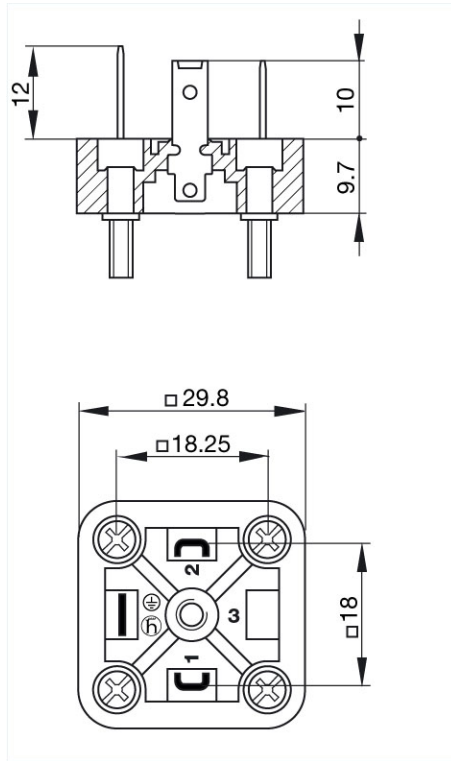
# HIRSCHMANN

A BELDEN BRAND

Industrial Connecting Solutions:Rectangular Connectors:Valve Connectors (Type A -B -C):Type A:Receptacle Valve Connectors (DIN EN 175 301-803):GSA-U 2000 N LO schwarz/black  
<http://www.e-catalog.beldensolutions.com/link/57078-24228-256261-256266-256270-276216-35139/en/conf/ui/state>

Picture

Drawing



**Belden Deutschland GmbH**

Im Gewerbepark 2  
58579 Schalksmühle  
Germany  
Phone: +49 7127/14-1806  
E-Mail: [icos-sales@belden.com](mailto:icos-sales@belden.com)

The information published in the websites has been compiled as carefully as possible. It is subject to alteration without notice in technical as well as in price-related/commercial respect. The complete information and data were available on user documentation. Mandatory information can only be obtained by a concrete query.