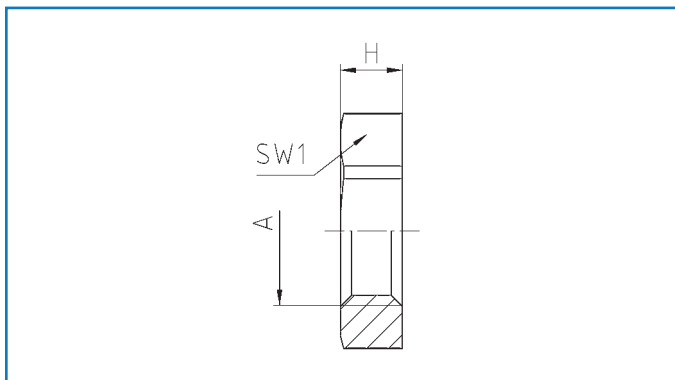


Hexagonal locknut, plastic

GPA MB

Metric threads



Technical details

Hexagonal locknut
Connecting thread

Polyamide PA6 GF30
metric as per EN 60423

Properties

- For secure tightening of cable glands and accessories

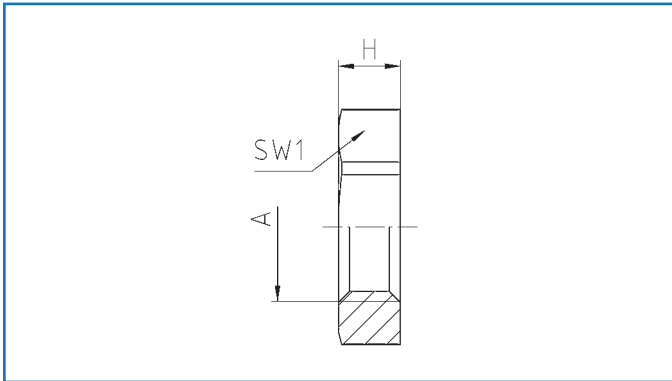
Temperature range -20...+100 °C

Order symbol	Code	EAN	A	SW1 mm	H mm	Pack
RAL 7035						
GPA M12B	7016408	6418074054920	M12 x 1,5	17	5	100
GPA M16B	7016409	6418074054937	M16 x 1,5	22	5	100
GPA M20B	7016410	6418074054944	M20 x 1,5	27	6	100
GPA M25B	7016411	6418074054951	M25 x 1,5	32	6	100
GPA M32B	7016412	6418074054968	M32 x 1,5	41	7	100
GPA M40B	7016413	6418074054975	M40 x 1,5	50	7	50
GPA M50B	7016414	6418074054982	M50 x 1,5	60	8	50
GPA M63B	7016415	6418074054999	M63 x 1,5	75	8	50
RAL 9005						
GPA M12B 9005	7016880	6418074093370	M12 x 1,5	17	5	100
GPA M16B 9005	7016881	6418074093387	M16 x 1,5	22	5	100
GPA M20B 9005	7016566	6418074093394	M20 x 1,5	27	6	100
GPA M25B 9005	7016882	6418074093400	M25 x 1,5	32	6	100
GPA M32B 9005	7016883	6418074093417	M32 x 1,5	41	7	100
GPA M40B 9005	7016884	6418074093424	M40 x 1,5	50	7	50
GPA M50B 9005	7016885	6418074093431	M50 x 1,5	60	8	50
GPA M63B 9005	7016886	6418074093448	M63 x 1,5	75	8	50

Hexagonal locknut, plastic

GPA PGB

PG thread



Technical details

Hexagonal locknut
Internal thread

Polyamide PA6 GF30
Pg as per DIN 40430

Properties

- For secure tightening of cable glands and accessories

Temperature range -20...+100 °C

Order symbol	Code	EAN	A	SW1 mm	H mm	Pack
RAL 7035						
GPA PG7B	7016426	6418074055101	Pg 7	19	5	100
GPA PG9B	7016427	6418074055118	Pg 9	22	5	100
GPA PG11B	7016428	6418074055125	Pg 11	24	5	100
GPA PG13.5B	7016429	6418074055132	Pg 13,5	27	6	100
GPA PG16B	7016430	6418074055149	Pg 16	30	6	100
GPA PG21B	7016431	6418074055156	Pg 21	36	7	100
GPA PG29B	7016432	6418074055163	Pg 29	46	7	100
GPA PG36B	7016433	6418074055170	Pg 36	60	8	50
GPA PG42B	7016434	6418074055187	Pg 42	65	8	50
GPA PG48B	7016435	6418074055194	Pg 48	70	8	50
RAL 9005						
GPA PG 7-B 9005	7016580	6418074062314	Pg 7	19	5	100
GPA PG9 B 9005	7016581	6418074062321	Pg 9	22	5	100
GPA 11-B 9005	7016582	6418074062338	Pg 11	24	5	100
GPA PG13.5B 9005	7016900	6418074093523	Pg 13,5	27	6	100
GPA PG16B 9005	7016901	6418074093530	Pg 16	30	6	100
GPA PG21B 9005	7016902	6418074093547	Pg 21	36	7	100
GPA PG29B 9005	7016903	6418074093554	Pg 29	46	7	100
GPA PG36B 9005	7016904	6418074093561	Pg 36	60	8	50
GPA PG42B 9005	7016905	6418074093578	Pg 42	65	8	50
GPA PG48B 9005	7016906	6418074093585	Pg 48	70	8	50