

Stainless Steel- Mini indexing plungers with and without rest position

SPECIFICATION

Types

- Type **B**: without rest position, with plastic knob
- Type **BN**: without rest position, with Stainless Steel-Knob
- Type **C**: with rest position, with plastic knob
- Type **CN**: with rest position, with Stainless Steel-Knob

Guide / Pin

Stainless Steel AISI 303

Spring

Stainless Steel AISI 301

Version with Plastic knob

Knob Type B and C

- Plastic (Polyamide PA)
- black, matt
- not removable

Version with Stainless Steel knob

Knob Type BN and CN

- Stainless Steel AISI CF-8
- matt blasted
- not removable

INFORMATION

Mini indexing plungers GN 822.7 are distinguished for their small dimensions.

Based on the principle of the GN 822 (see page 780) mini indexing plungers, this model combines their clever type of construction with a complete series of all current sizes of bolts and threads. They provide a reasonably priced alternative to the GN 607 (see page 769) / GN 607.1 (see page 770) indexing plungers of the appropriate sizes. To mount, first turn the mini indexing plunger in with the knurled button. Pulling the indexing pin will release the hexagon nut which can then be tightened with an open-end spanner.

The spanner flats on the lock nut are revealed when retracting the pin, so that the mini indexing plunger can be easily tightened by means of a fork spanner.

In types C and CN, the button can be turned by 30° after retracting the indexing pin, holding it in the "retracted" position using the indexing lock.

- Range of indexing plungers (see page 738)

ACCESSORY

Distance bushings GN 609.5 (see page 810) or flat hexagonal nuts GN 909.5 (see page 809) are to be ordered separately.

TECHNICAL INFORMATION

- Stainless Steel characteristics (see page A26)
- Plastic characteristics (see page A2)
- ISO-Fundamental tolerances (see page A21)
- Load rating information (see page A42)

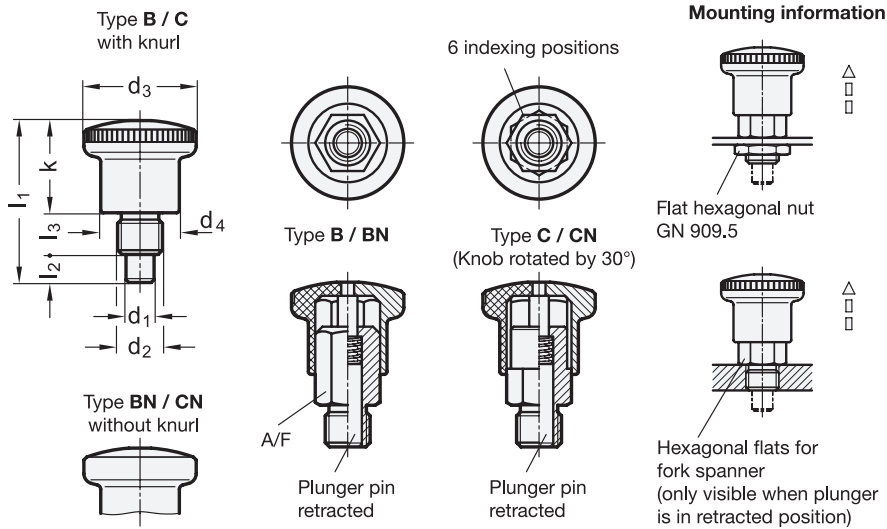
ON REQUEST

- with red knob



8

Indexing elements



* Complete with type index of the mini indexing plungers (B or C)

B without rest position **C** with rest position

GN 822.7

STAINLESS STEEL

| Description | d1 Bore +0.03/+0.08 Pin h9 | d2 | d3 | d4 | l1 | l2 min. | l3 | k | A/F | Spring load in N ≈ initial | Spring load in N ≈ end | ⚖ |
|-----------------------|----------------------------------|------------|----|----|------|---------|----|------|-----|-------------------------------------|---------------------------------|----|
| GN 822.7-4-M8-* | 4 | M 8 | 21 | 15 | 27,5 | 5 | 6 | 16,5 | 10 | 4 | 12 | 14 |
| GN 822.7-4-M8x1-* | 4 | M 8 x 1 | 21 | 15 | 27,5 | 5 | 6 | 16,5 | 10 | 4 | 12 | 15 |
| GN 822.7-5-M10-* | 5 | M 10 | 25 | 18 | 34 | 6 | 8 | 20 | 12 | 6 | 16 | 25 |
| GN 822.7-5-M10x1-* | 5 | M 10 x 1 | 25 | 18 | 34 | 6 | 8 | 20 | 12 | 6 | 16 | 25 |
| GN 822.7-6-M10-* | 6 | M 10 | 25 | 18 | 34 | 6 | 8 | 20 | 12 | 6 | 16 | 26 |
| GN 822.7-6-M10x1-* | 6 | M 10 x 1 | 25 | 18 | 34 | 6 | 8 | 20 | 12 | 6 | 16 | 26 |
| GN 822.7-6-M12-* | 6 | M 12 | 28 | 20 | 40,5 | 7 | 10 | 23,5 | 14 | 10 | 23 | 40 |
| GN 822.7-6-M12x1,5-* | 6 | M 12 x 1,5 | 28 | 20 | 40,5 | 7 | 10 | 23,5 | 14 | 10 | 23 | 40 |
| GN 822.7-7-M12-* | 7 | M 12 | 28 | 20 | 40,5 | 7 | 10 | 23,5 | 14 | 10 | 23 | 41 |
| GN 822.7-7-M12x1,5-* | 7 | M 12 x 1,5 | 28 | 20 | 40,5 | 7 | 10 | 23,5 | 14 | 10 | 23 | 41 |
| GN 822.7-8-M16-* | 8 | M 16 | 33 | 23 | 47,5 | 10 | 12 | 25,5 | 17 | 11 | 35 | 67 |
| GN 822.7-8-M16x1,5-* | 8 | M 16 x 1,5 | 33 | 23 | 47,5 | 10 | 12 | 25,5 | 17 | 11 | 35 | 67 |
| GN 822.7-10-M16-* | 10 | M 16 | 33 | 23 | 47,5 | 10 | 12 | 25,5 | 17 | 11 | 35 | 68 |
| GN 822.7-10-M16x1,5-* | 10 | M 16 x 1,5 | 33 | 23 | 47,5 | 10 | 12 | 25,5 | 17 | 11 | 35 | 70 |

Weight type B

