

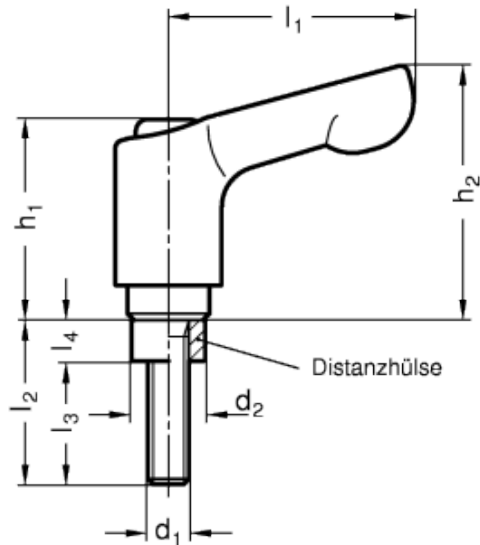
# GN 511

Clamping kit



INOX  
Edelstahl

INOX  
Stainless Steel



## technical informations

### Lever body

Zinc alloy die-cast, epoxy resin coating.

### Colour

RAL 9006 silver matte finish, epoxy resin coating.

### Clamping element

AISI 303 stainless steel with threaded hole and toothed element for coupling to the lever body, AISI 303 stainless steel screw and AISI 301 stainless steel return spring.

### Locking nut

AISI 304 stainless steel.

### Distance bushing

AISI 303 stainless steel.

### Features and applications

For clamp mountings, the clamping kits GN 511 replaces the DIN 912 hexagonal recessed screw.  
The matching clamping lever sets for each clamping thread are listed in the dimensional tables of the clamp mountings.

Standard Elements	Main dimensions								Weight
	d <sub>1</sub>	d <sub>2</sub>	l <sub>1</sub>	l <sub>2</sub>	l <sub>3</sub>	l <sub>4</sub>	h <sub>1</sub>	h <sub>2</sub>	
GN 511-M4-14	M4	7.5	30	14	9.5	4.5	24.5	30.5	37
GN 511-M4-16	M4	7.5	30	16	11.5	4.5	24.5	30.5	38
GN 511-M4-20	M4	7.5	30	20	15.5	4.5	24.5	30.5	40
GN 511-M5-16	M5	9	30	16	10	6	24.5	30.5	39
GN 511-M5-20	M5	9	30	20	14	6	24.5	30.5	40
GN 511-M5-25	M5	9	30	25	19	6	24.5	30.5	40
GN 511-M6-20	M6	10.5	45	20	13.5	6.5	24.5	35	40
GN 511-M6-25	M6	10.5	45	25	18.5	6.5	24.5	35	50
GN 511-M6-32	M6	10.5	45	32	25.5	6.5	24.5	35	51



STANDARD MACHINE ELEMENTS WORLDWIDE