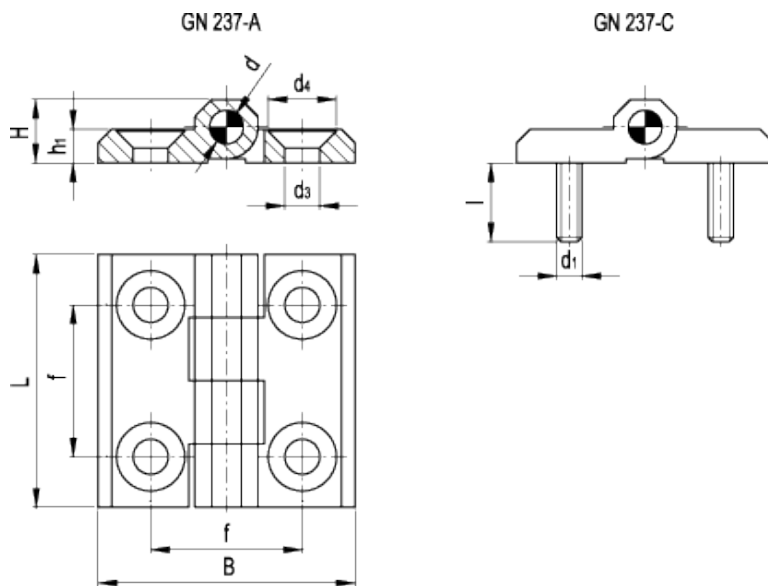


GN 237-ZD

Hinges



technical informations

Material

Zinc-alloy die-cast ZD, black matte epoxy resin coating.

Finish

- Version SW: RAL 9005 black, matte finish, epoxy resin coating.
- Version SR: RAL 9006 silver, matte finish, epoxy resin coating.

Rotation pin

AISI 303 stainless steel.

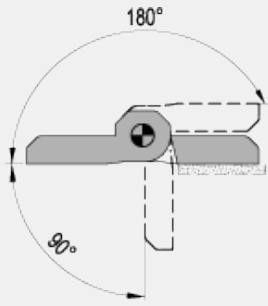
Assembly

- Type A: two couples of through holes for countersunk-head screws.

- Type C: AISI 316 stainless steel threaded studs.

Rotation angle

Max. 270°, between 0° and -90° and between 0° and 180°.



Standard Elements	Main dimensions						Fitting Studs		Fitting Through holes		Weight
Description	B	L	f	H	h ₁	d	d ₁	l	d ₃	d ₄	g
GN 237-ZD-30-30-A-SW	30	30	18	7.5	4	3	-	-	4.7	9.6	19
GN 237-ZD-30-30-A-SR	30	30	18	7.5	4	3	-	-	4.7	9.6	19
GN 237-ZD-40-40-A-SW	40	40	25	9	5	4	-	-	8.3	10.2	46
GN 237-ZD-40-40-A-SR	40	40	25	9	5	4	-	-	5.3	10.2	46
GN 237-ZD-50-50-A-SW	50	50	30	11.5	6	6	-	-	6.4	12.5	88
GN 237-ZD-50-50-A-SR	50	50	30	11.5	6	6	-	-	6.4	12.5	88
GN 237-ZD-60-60-A-SW	60	60	36	15	8	8	-	-	8.3	16.2	150
GN 237-ZD-60-60-A-SR	60	60	36	15	8	8	-	-	8.3	16.2	150
GN 237-ZD-40-40-C-SW	40	40	25	9	5	4	M 5	12	5.3	10.2	59
GN 237-ZD-40-40-C-SR	40	40	25	9	5	4	M 5	12	5.3	10.2	59
GN 237-ZD-50-50-C-SW	50	50	30	11.5	6	6	M 6	12	6.4	12.5	102
GN 237-ZD-50-50-C-SR	50	50	30	11.5	6	6	M 6	12	6.4	12.5	102
GN 237-ZD-60-60-C-SW	60	60	36	15	8	8	M 8	14	8.3	16.2	195
GN 237-ZD-60-60-C-SR	60	60	36	15	8	8	M 8	14	8.3	16.2	195



STANDARD MACHINE ELEMENTS WORLDWIDE