

GN 2277

Bull's eye levels

with mounting flange



Specification

Sensitivity

Type **30**: Angle minutes, bubble move by 2mm

Types

- Type **A**: Mounting flange, for bolting surface
- Type **B**: Mounting flange, for inserting (collar)

Housing

Aluminium

anodized, natural colour **ALN**

anodized, black **ALS**

Spirit level element

Glass plastic body

Filling

colourless-transparent **K**

Casting compound

mineral-based

Information

Bull's eye levels GN 2277 are used to check the horizontal position of jigs, machines, devices, appliances and instruments.

The spirit levels are aligned in relation to the reference surface so that the bubble is located inside the marking ring when the horizontal position of the contact surface is achieved.

On request

- Filling, green-transparent
- Other sensitivities
- Housing in brass or Stainless Steel

Technical Information

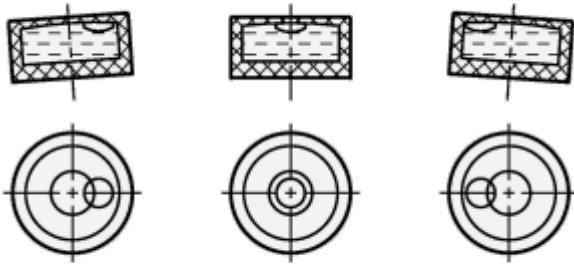
Definition of terms

A spirit level is hollow body filled with a fluid and a gas bubble which is used to check the horizontal position of an object. The position of the gas bubble in the fluid shows the angle and the direction at which the object is inclined in relation to the horizontal level.

The function

The hollow body containing the fluid and the gas bubble has a defined radius at its top side, causing the gas bubble to float by its buoyancy always to the highest point.

The transparent upper section normally carries markings or a circle centric to the bubble position. If the gas bubble is centered precisely inside the marking and if the air level is properly adjusted, the object to be checked is in the horizontal position.



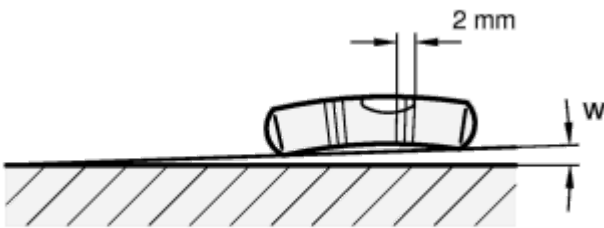
Types of spirit levels

Spirit levels are available as bull's eye levels or screw-on levels.

Bull's eye levels simultaneously measure the angle of inclination and the angular position, e.g. of a certain level, whereas screw-on levels indicate the angle of inclination in one dimension only along the axis of the level.

Sensitivity

The sensitivity of spirit levels is given as angle of inclination, e.g. 30 angular minutes or 0.5 degrees. This is the angle of inclination by which the spirit level must be tilted to make the bubble move by 2 mm. A spirit level with a sensitivity of 6 angular minutes therefore has a higher sensitivity than a spirit level with a sensitivity of 30 angular minutes.



Angle of inclination and difference in altitude

Sensitivity is sometimes also given in millimetre per metre, i.e. as difference in altitude per unit of the length. See also the reference table opposite.

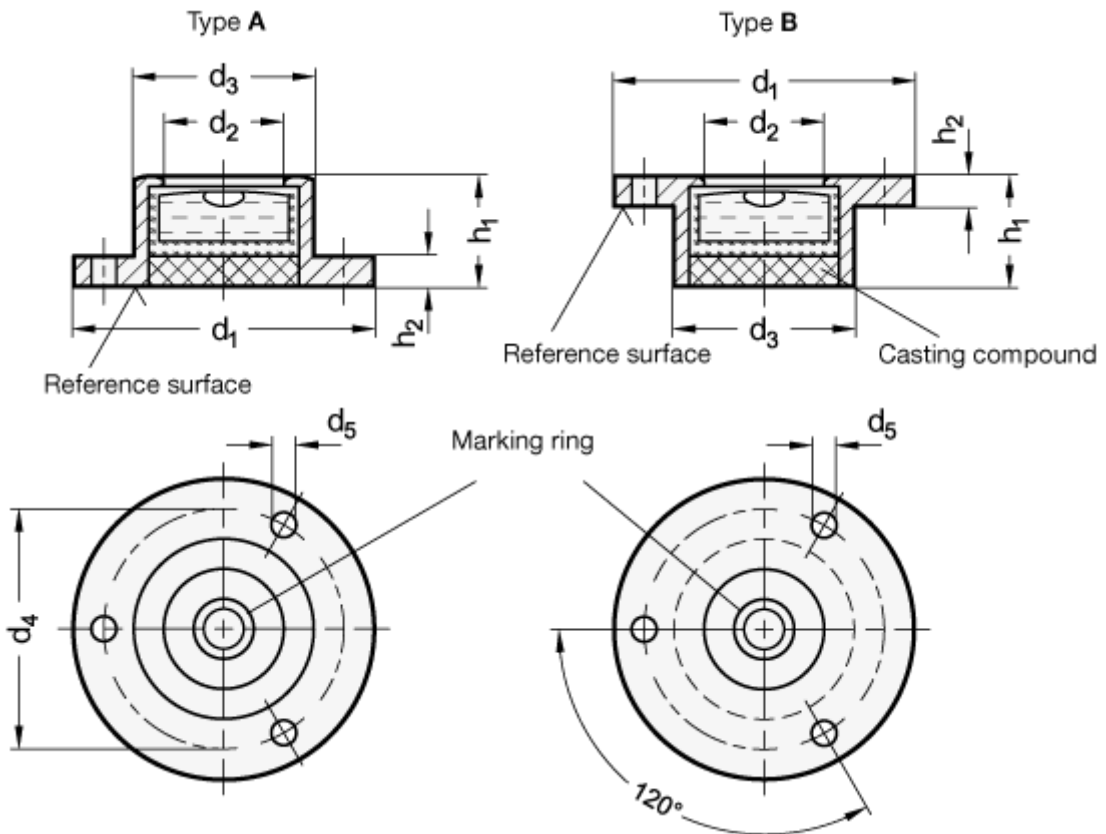
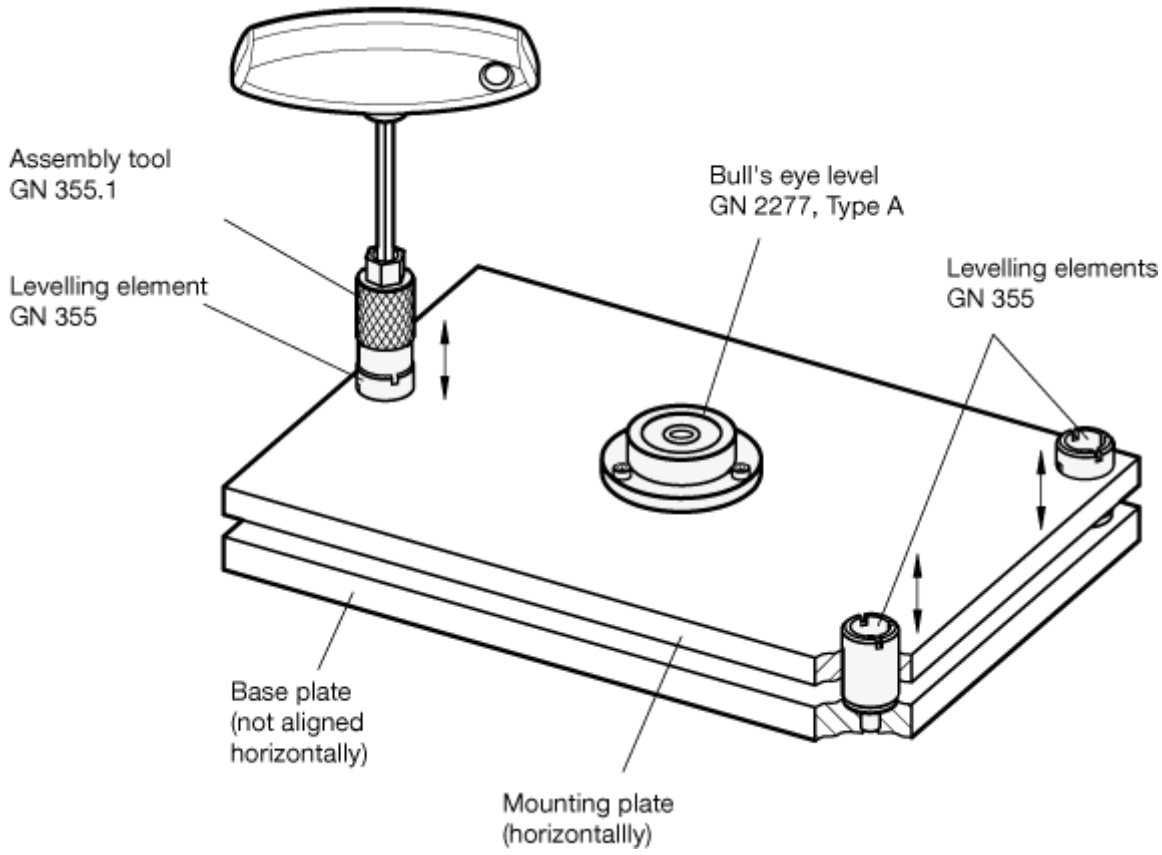
Difference in altitude in millimetre per metre	Angle w	
	in angular minutes	Degree, decimal
0.3	1	0.0167
0.9	3	0.0500
1.7	6	0.1000
2.9	10	0.1667
5.8	20	0.3333
8.7	30	0.5000
11.6	40	0.6667
14.5	50	0.8333
17.5	60	1.0000

Installation example

Bull's eye levels and levelling elements - in this example, levelling elements [GN 355](#)

and assembly tool [GN 355.1](#) - are ideal to use when a holding plate is to be brought into an exact horizontal position.

Even after the initial adjustment, the bull's eye level remains in the unit so that the correct alignment can be checked and adjusted again.



Description	d ₁	d ₂	d ₃	d ₄	d ₅	h ₁	h ₂	Weight
GN 2277-ALN-20-K-30-A	20	10	14	17	1.8	10	1.8	3
GN 2277-ALS-20-K-30-A	20	10	14	17	1.8	10	1.8	3
GN 2277-ALN-25-K-30-A	25	12	17	21	2.2	10	2	5
GN 2277-ALS-25-K-30-A	25	12	17	21	2.2	10	2	5
GN 2277-ALN-30-K-30-A	30	12	18	24	3.2	11	3	7
GN 2277-ALS-30-K-30-A	30	12	18	24	3.2	11	3	7
GN 2277-ALN-40-K-30-A	40	20	28	34.5	3.2	14	4	14
GN 2277-ALS-40-K-30-A	40	20	28	34.5	3.2	14	4	14
GN 2277-ALN-50-K-30-A	50	25	34	43	3.2	15	5	25
GN 2277-ALS-50-K-30-A	50	25	34	43	3.2	15	5	25
GN 2277-ALN-20-K-30-B	20	10	14	17	1.8	10	1.8	3
GN 2277-ALS-20-K-30-B	20	10	14	17	1.8	10	1.8	3
GN 2277-ALN-25-K-30-B	25	12	17	21	2.2	10	2	5
GN 2277-ALS-25-K-30-B	25	12	17	21	2.2	10	2	5
GN 2277-ALN-30-K-30-B	30	12	18	24	3.2	11	3	7
GN 2277-ALS-30-K-30-B	30	12	18	24	3.2	11	3	7
GN 2277-ALN-40-K-30-B	40	20	28	34.5	3.2	14	4	14
GN 2277-ALS-40-K-30-B	40	20	28	34.5	3.2	14	4	14
GN 2277-ALN-50-K-30-B	50	25	34	43	3.2	15	5	25
GN 2277-ALS-50-K-30-B	50	25	34	43	3.2	15	5	25