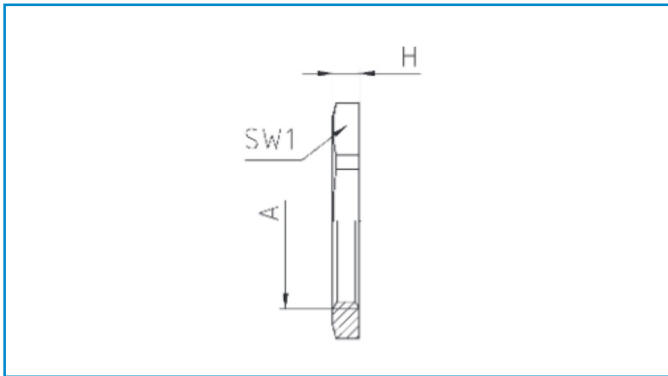


# Hexagonal locknut, metal

GMS MB/B

Metric thread  
PG thread



## Technical details

Hexagonal locknut  
Internal thread

Brass CuZn39Pb3, nickel-plated  
metric as per EN 60423 and ISO 965

## Properties

- For secure tightening of cable glands and accessories

Temperature range up to +200 °C

Order symbol	Code	EAN	A	SW1 mm	H mm	Pack
<b>Connecting thread: standard</b>						
GMS M12B	7016770	6418074091321	M12 x 1,5	15	2,8	100
GMS M16B	7016771	6418074091338	M16 x 1,5	19	2,8	100
GMS M20B	7016772	6418074091345	M20 x 1,5	24	3	100
GMS M25B	7016773	6418074091352	M25 x 1,5	30	3,5	100
GMS M32B	7016774	6418074091369	M32 x 1,5	36	4	100
GMS M40B	7016775	6418074091376	M40 x 1,5	46	5	50
GMS M50B	7016776	6418074091383	M50 x 1,5	60	5	50
GMS M63B	7016777	6418074091390	M63 x 1,5	70	6	50

## Technical details

Hexagonal locknut  
Internal thread

Brass CuZn39Pb3, nickel-plated  
Pg as per DIN 40430

## Properties

- For secure tightening of cable glands and accessories

Temperature range -60...+200 °C

Order symbol	Code	EAN	A	SW1 mm	H mm	Pack
<b>Connecting thread: standard</b>						
GMS PG7B	7016454	6418074055545	Pg 7	15	2,8	100
GMS PG9B	7016455	6418074055552	Pg 9	18	2,8	100
GMS PG11B	7016456	6418074055569	Pg 11	21	3	100
GMS PG13.5B	7016457	6418074055576	Pg 13,5	23	3	100
GMS PG16B	7016458	6418074055583	Pg 16	26	3	100
GMS PG21B	7016459	6418074055590	Pg 21	32	3,5	100
GMS PG29B	7016460	6418074055606	Pg 29	41	4	100
GMS PG36B	7016461	6418074055613	Pg 36	51	5	50
GMS PG42B	7016462	6418074055620	Pg 42	60	5	50
GMS PG48B	7016463	6418074055637	Pg 48	64	5,5	50