

MEDIUM SIZE PLASTIC T-CASE

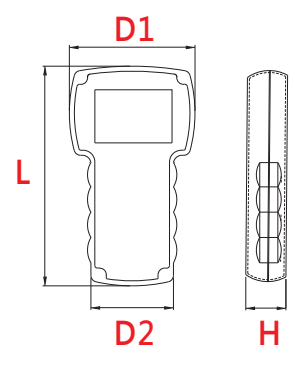


PRODUCT INFORMATION

MATERIAL: High impact ABS, UL94-HB.

- These new stylish cases are ideal for test and measurement, data-loggers and other handheld instruments.
- Two colour are available in black and light grey.
- Top and bottom parts incorporate a tongue and groove sealing system which accept gasketing to meet IP65 rating. the gasket is available as a separate item.
- Available with a battery compartment in the back which accept a 9V 216 type or two AA batteries.
- Removeable tilt stand. it can also be used wall mounted.
- Available with open display window or solid front.
- Case held together by 4xM3 screws supplied.
- Recessed display area : 87.3 x 66.5mm
- Recessed keyboard area : 105.4 x 62.7mm
- Cutout Area : 72.2 x 51.5mm

ITEM No.	COLOR	DISPLAY AREA	BATTERY COMPARTMENT	EXTERNAL DIMENSION(mm)			
				LENGTH(L)	WIDTH 1(D1)	WIDTH 2(D2)	HEIGHT(H)
G828G(0)	Grey	Cutout	No	210	110	75	40.5
G828G(0)BC	Grey	Cutout	Yes				
G828G(S)	Grey	Solid	No				
G828G(S)BC	Grey	Solid	Yes				
G828B(0)	Black	Cutout	No				
G828B(0)BC	Black	Cutout	Yes				
G828B(S)	Black	Solid	No				
G828B(S)BC	Black	Solid	Yes				
G828GSKT	Sealing Gasket						
G828BTS	Black tilt stand						
G828GTS	Grey tilt stand						



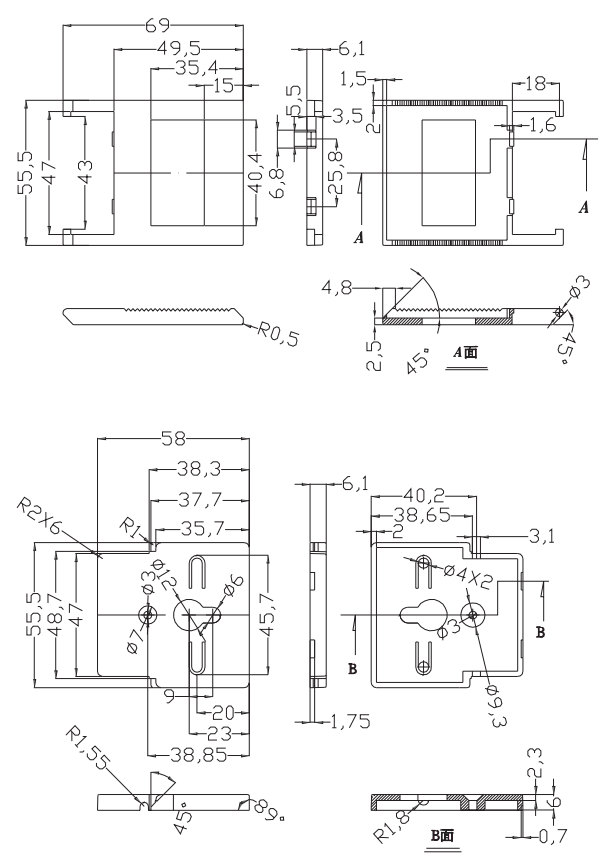
G828BTS / G828GTS



Example

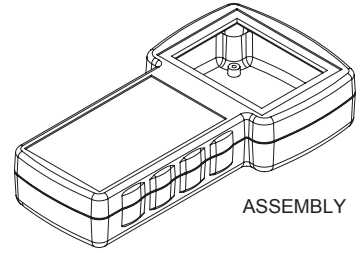
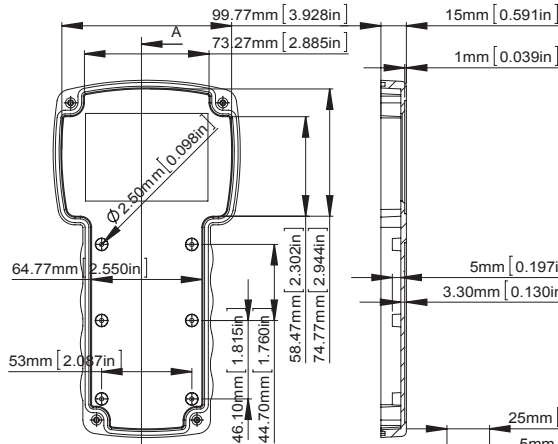
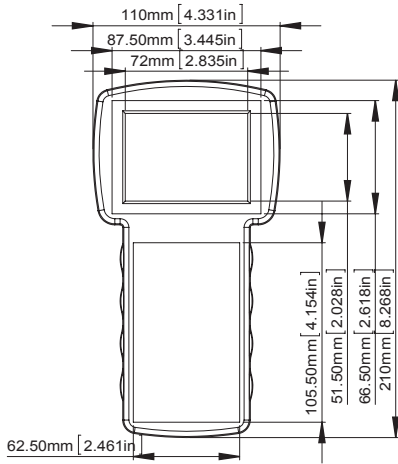


Example Sealing Gasket

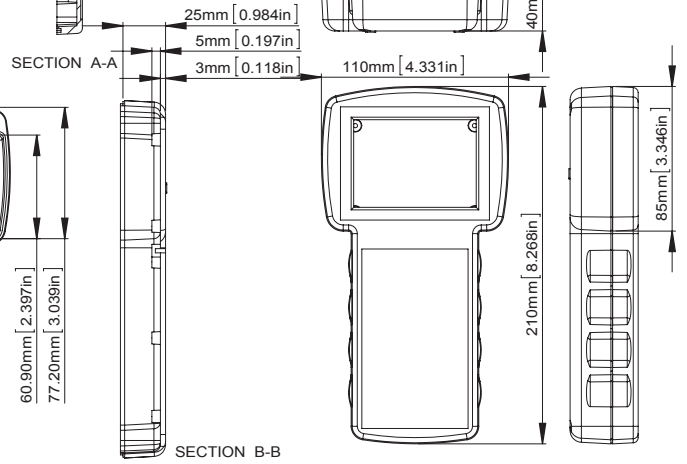
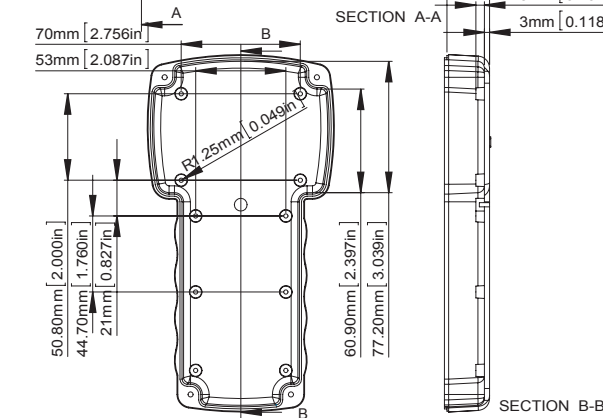
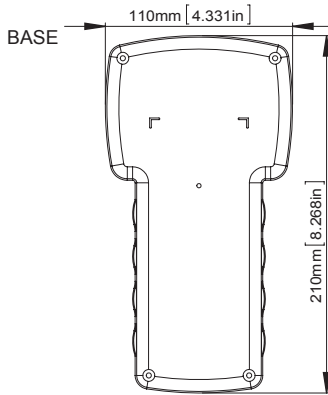


G828G(O)/G828B(O)

COVER

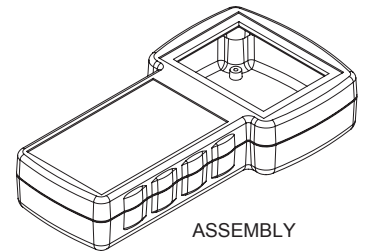
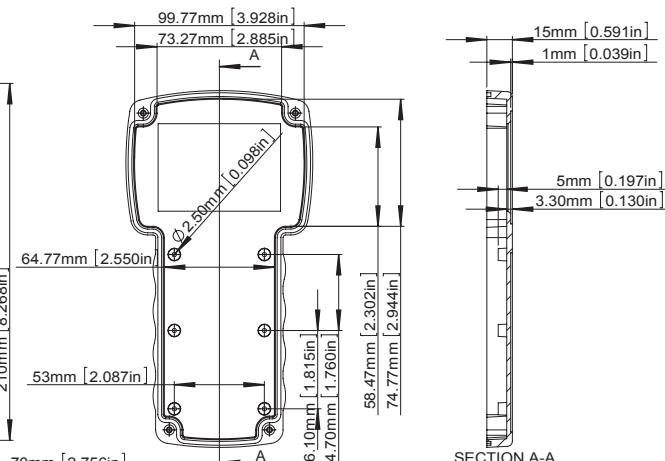
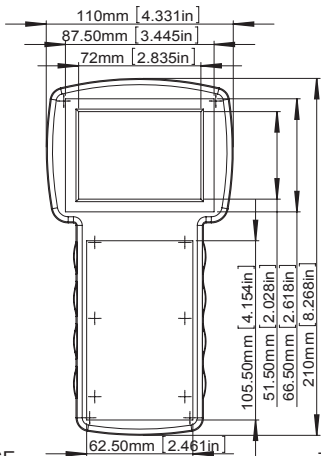


ASSEMBLY

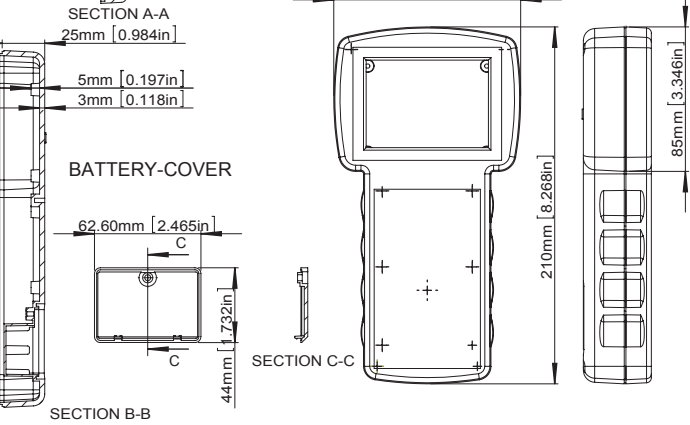
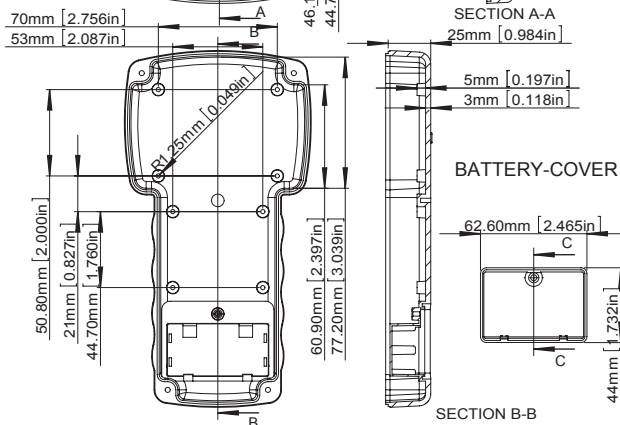
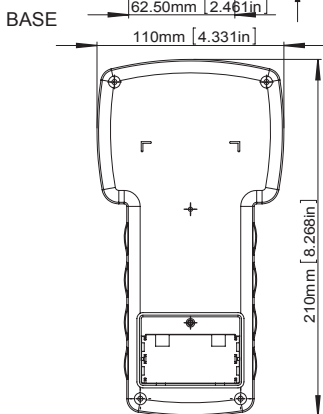


G828G(O)BC/G828B(O)BC

COVER



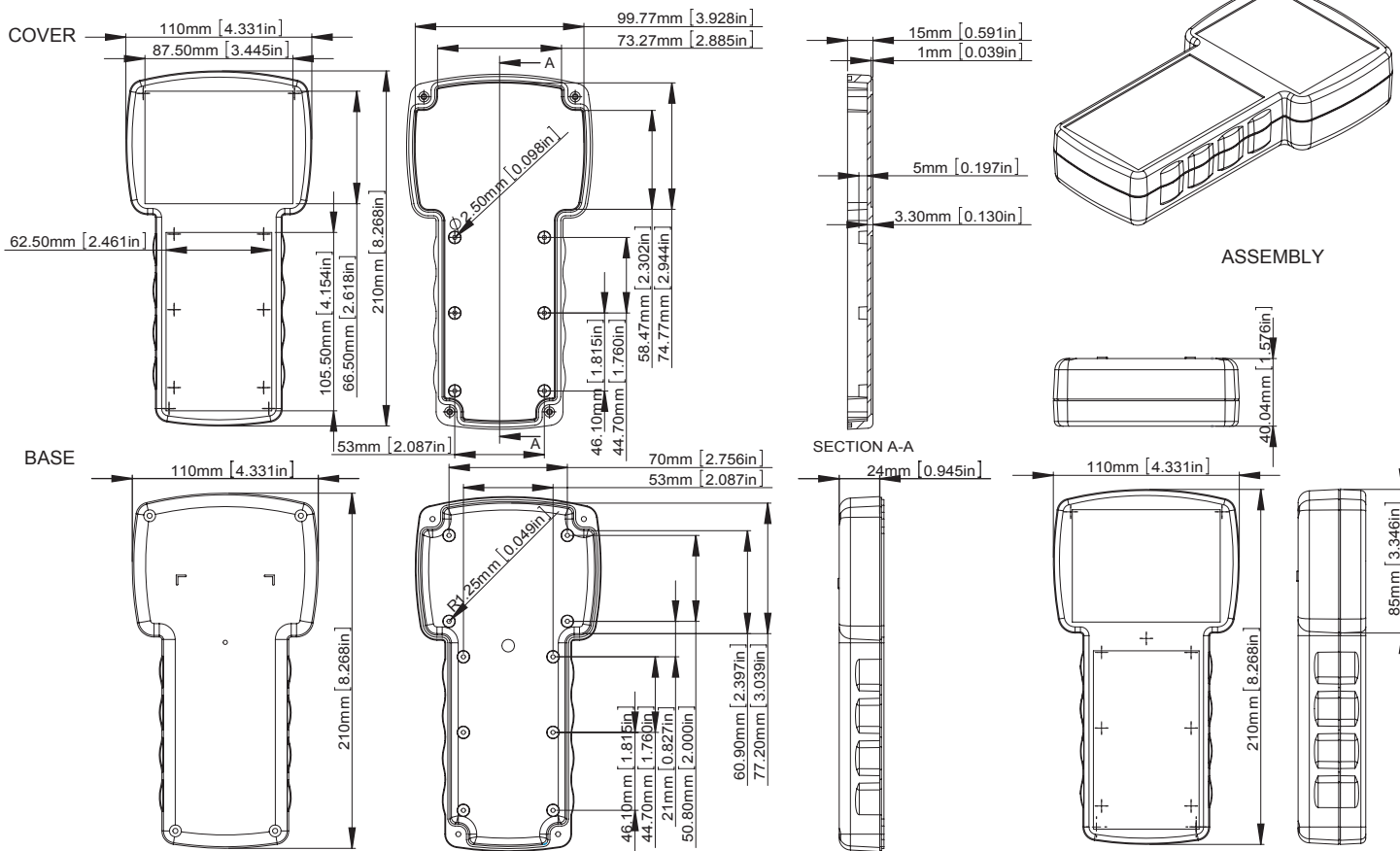
ASSEMBLY



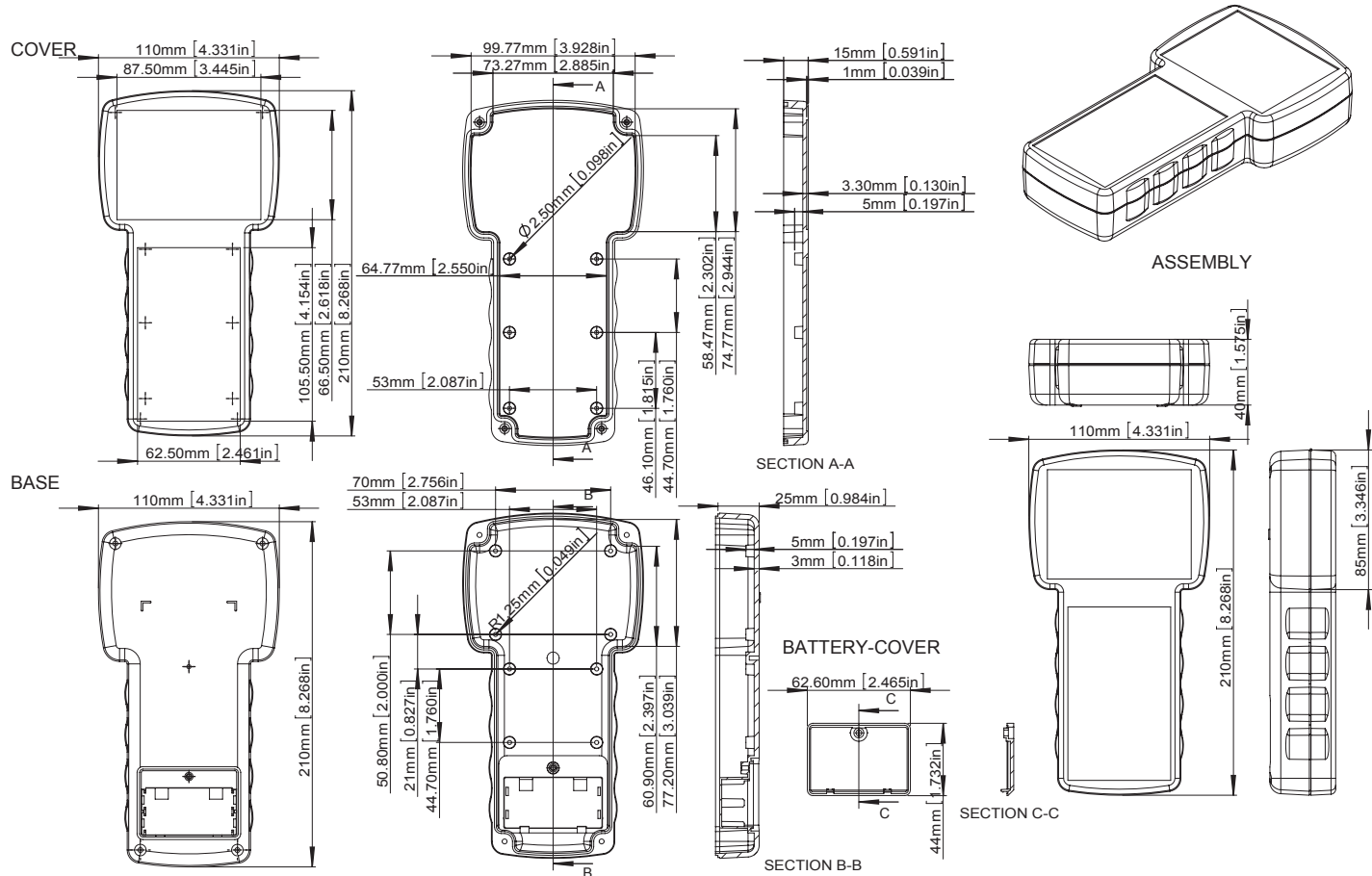
BATTERY-COVER

SECTION C-C

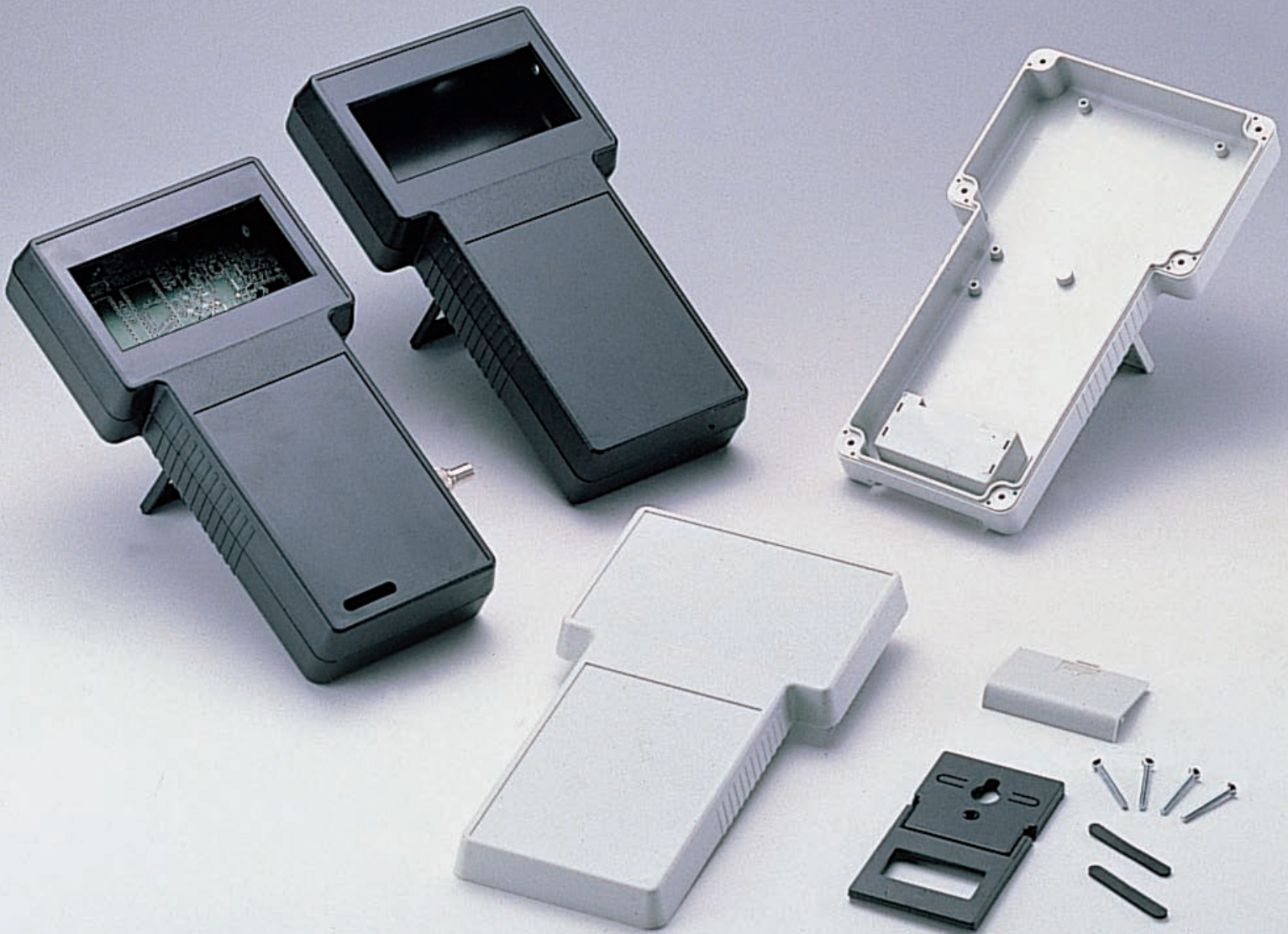
G828G(S)/G828B(S)



G828G(S)BC/G828B(S)BC



Large Size T-CASE



PRODUCT INFORMATION

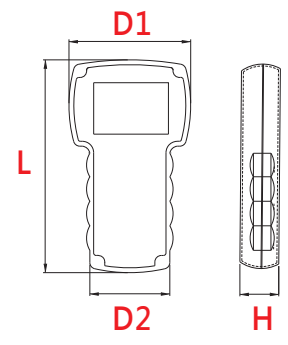
MATERIAL:

- Moulded in high impact ABS.

FEATURES:

- Available with either a solid display area or a cutout.
- The top and bottom parts incorporate a tongue and groove sealing system which accept gasketing. The gasket is available as a separate item.
- Available with a battery compartment in the back which accept a 9V 216 type. Or two AA batteries.
- A durable and professional moulded tilting bail is available which also can be used to wall mount the enclosures.
- Available in black and light gray as standard colour. Customer colour is available on indent.
- Case is held together by 6 PCS brass inserts in the LID and M-3 screws supplied.
- Recessed display area : 116 x 81mm.
- Recessed keyboard area : 118 x 81mm.
- Cutout area : 101 x 45mm.

ITEM No.	COLOR	DISPLAY AREA	BATTERY COMPARTMENT	EXTERNAL DIMENSION(mm)			
				LENGTH(L)	WIDTH 1(D1)	WIDTH 2(D2)	HEIGHT(H)
G858G(0)	Grey	Cutout	No	237	131	95	45
G858G(0) BC	Grey	Cutout	Yes				
G858G(S)	Grey	Solid	No				
G858G(S) BC	Grey	Solid	Yes				
G858B(0)	Black	Cutout	No				
G858B(0) BC	Black	Cutout	Yes				
G858B(S)	Black	Solid	No				
G858B(S) BC	Black	Solid	Yes				
G858GSKT	Sealing Gasket						
G858BTS	Black tilt stand						
G858GTS	Grey tilt stand						



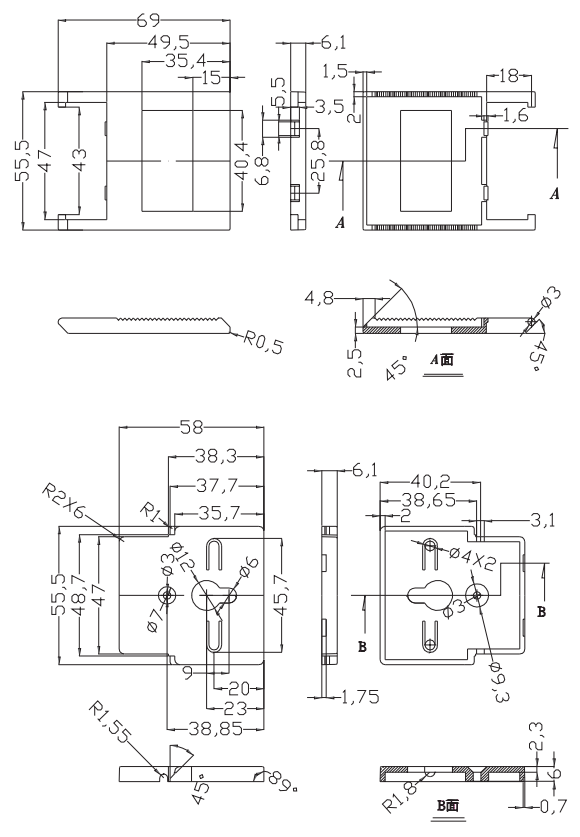
G858BTS / G858GTS



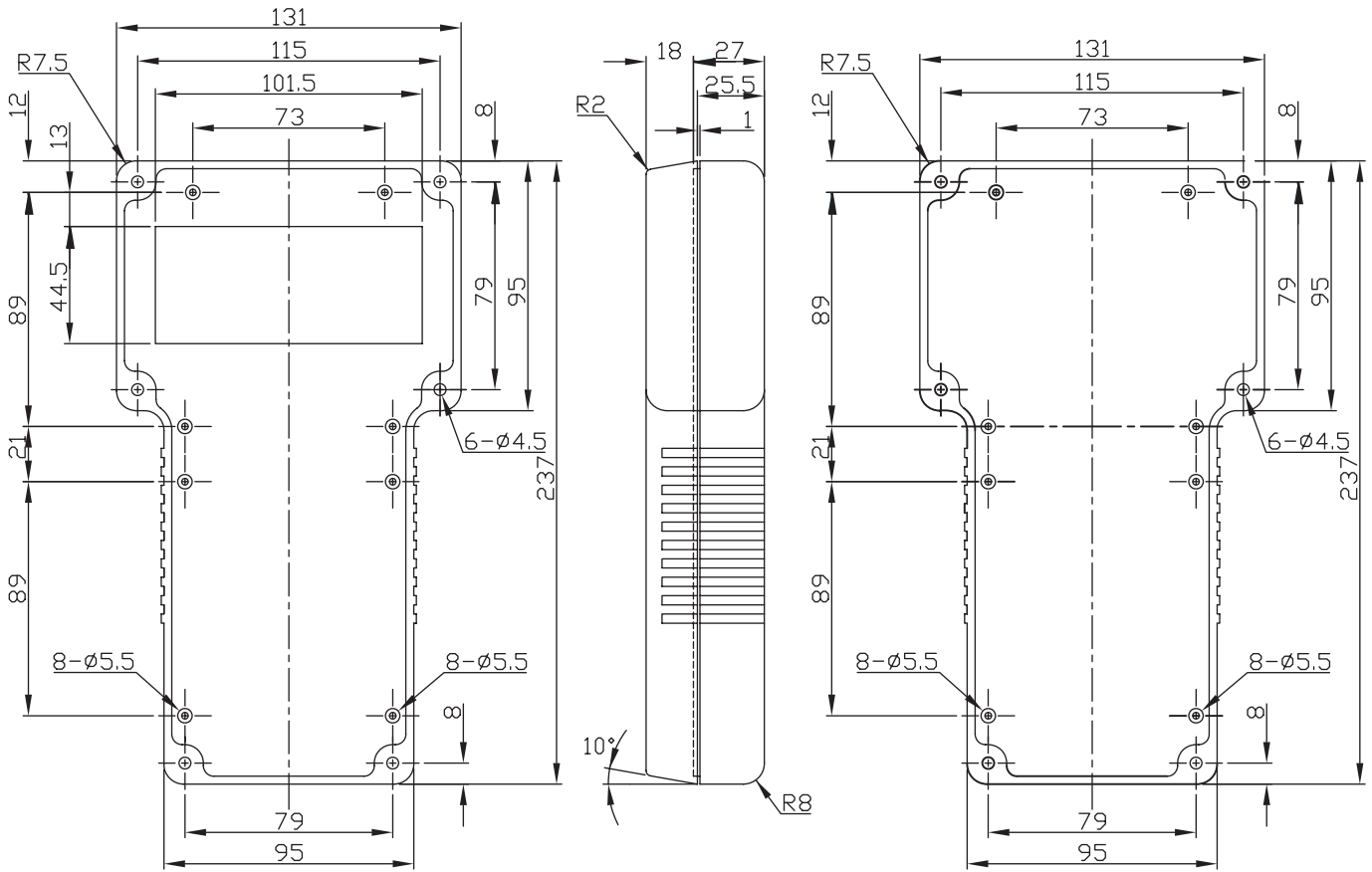
Example Sealing Gasket



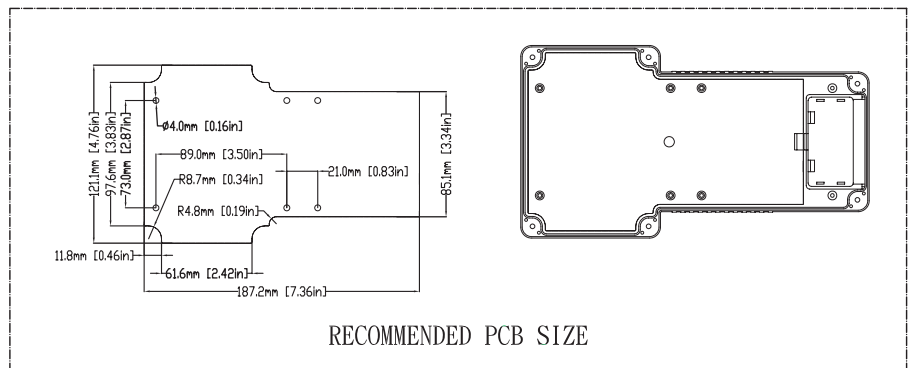
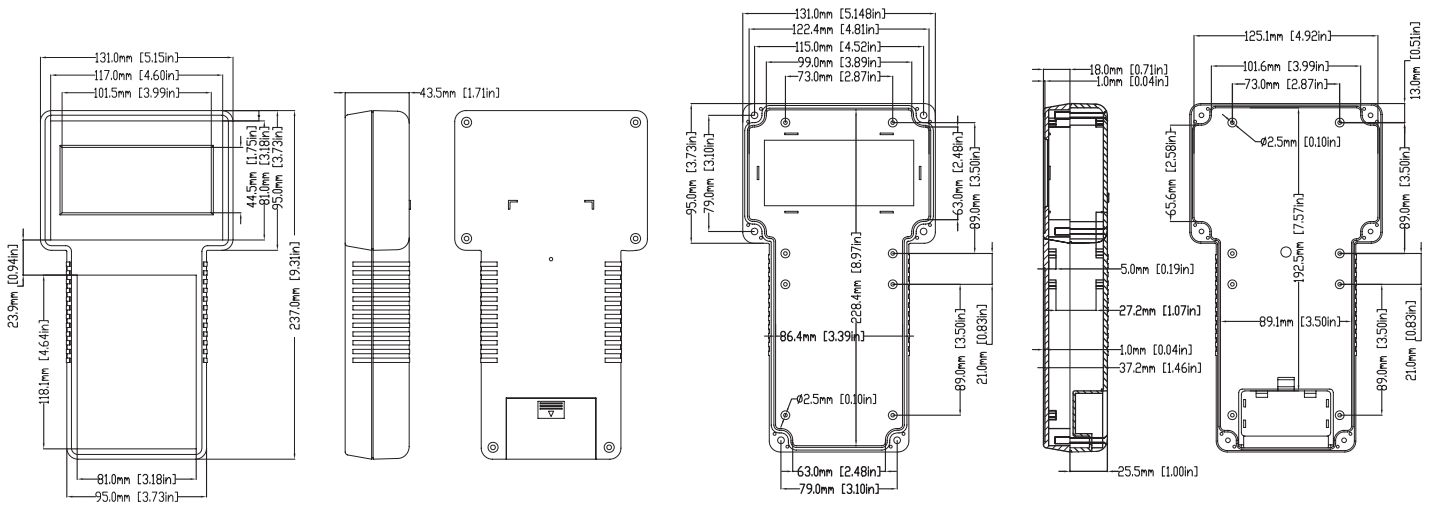
Example



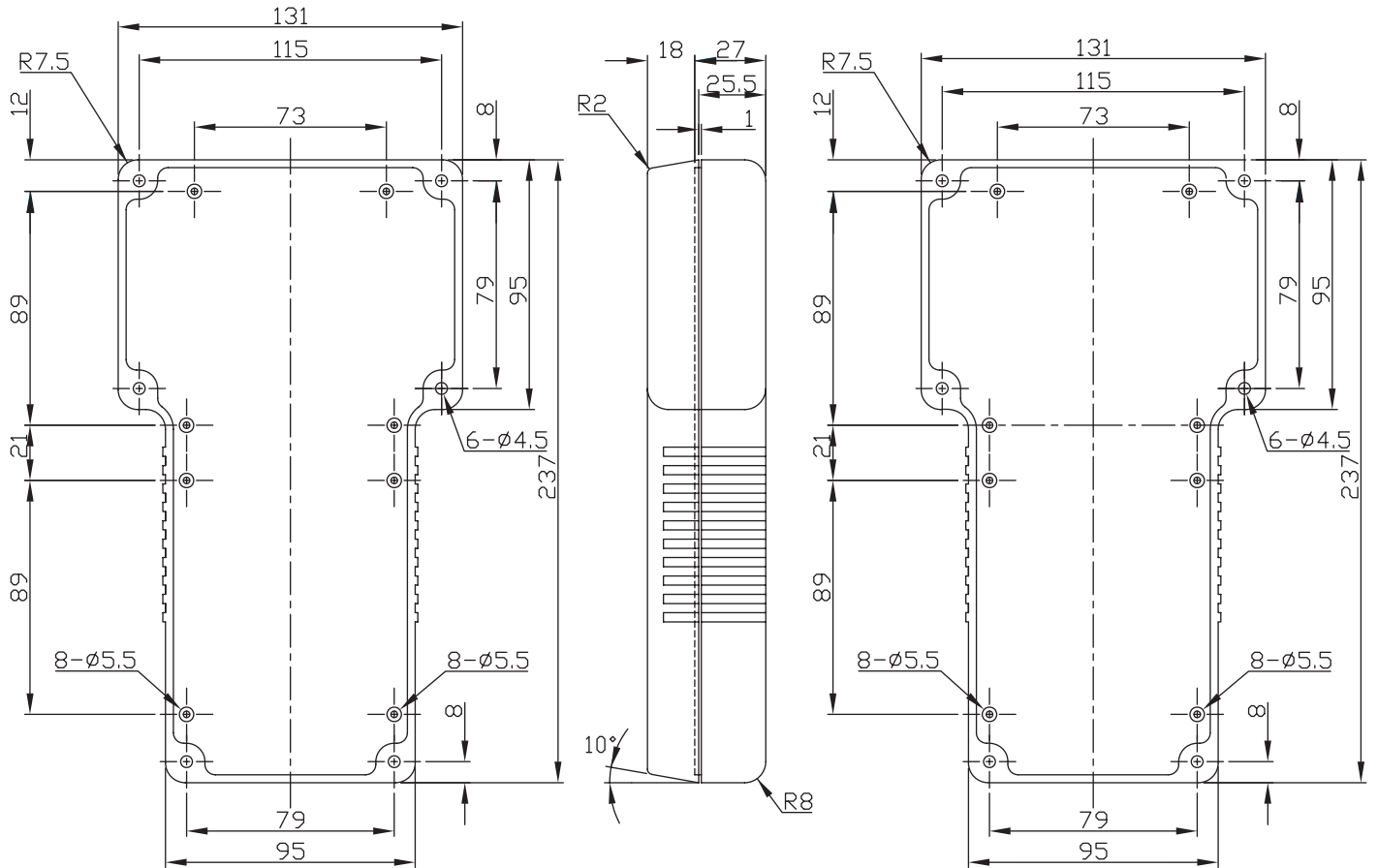
G858G(O) / G858B(O)



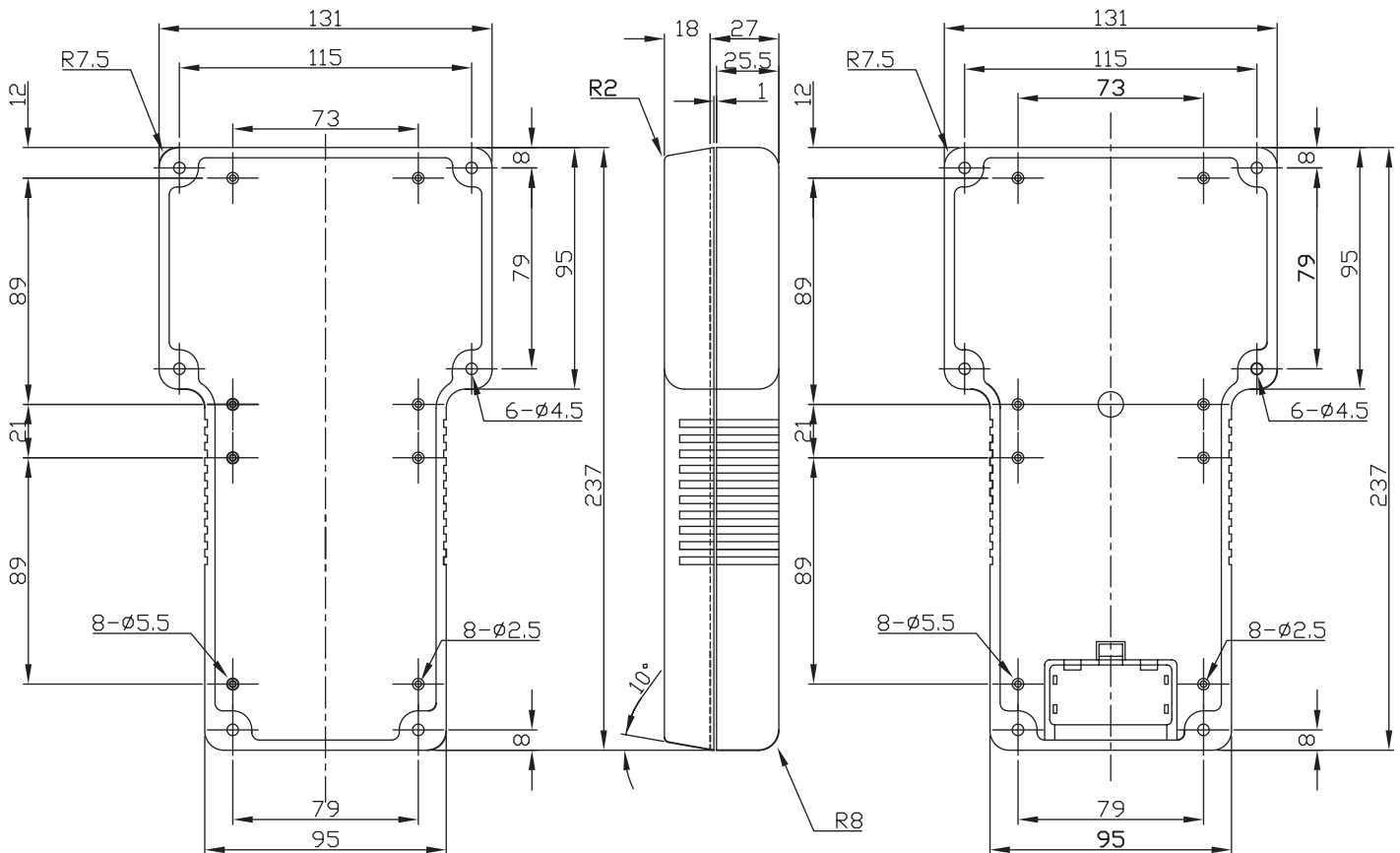
G858G(O)BC / G858B(O)BC



G858G(S) / G858B(S)

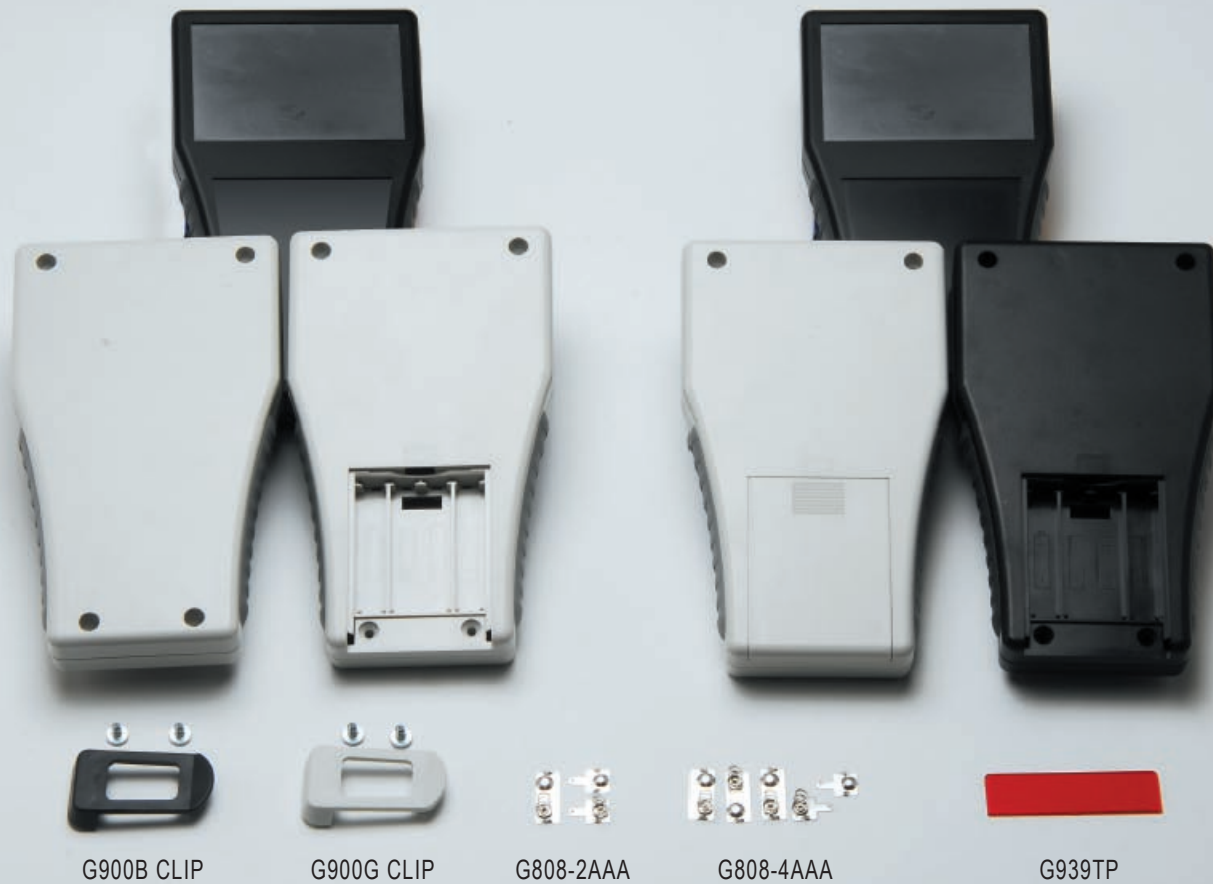


G858G(S)BC / G858B(S)BC



G8XX, TYPE C SERIES

HAND-HELD DOUBLE INJECTION PLASTIC ENCLOSURE



PRODUCT INFORMATION

MATERIAL:

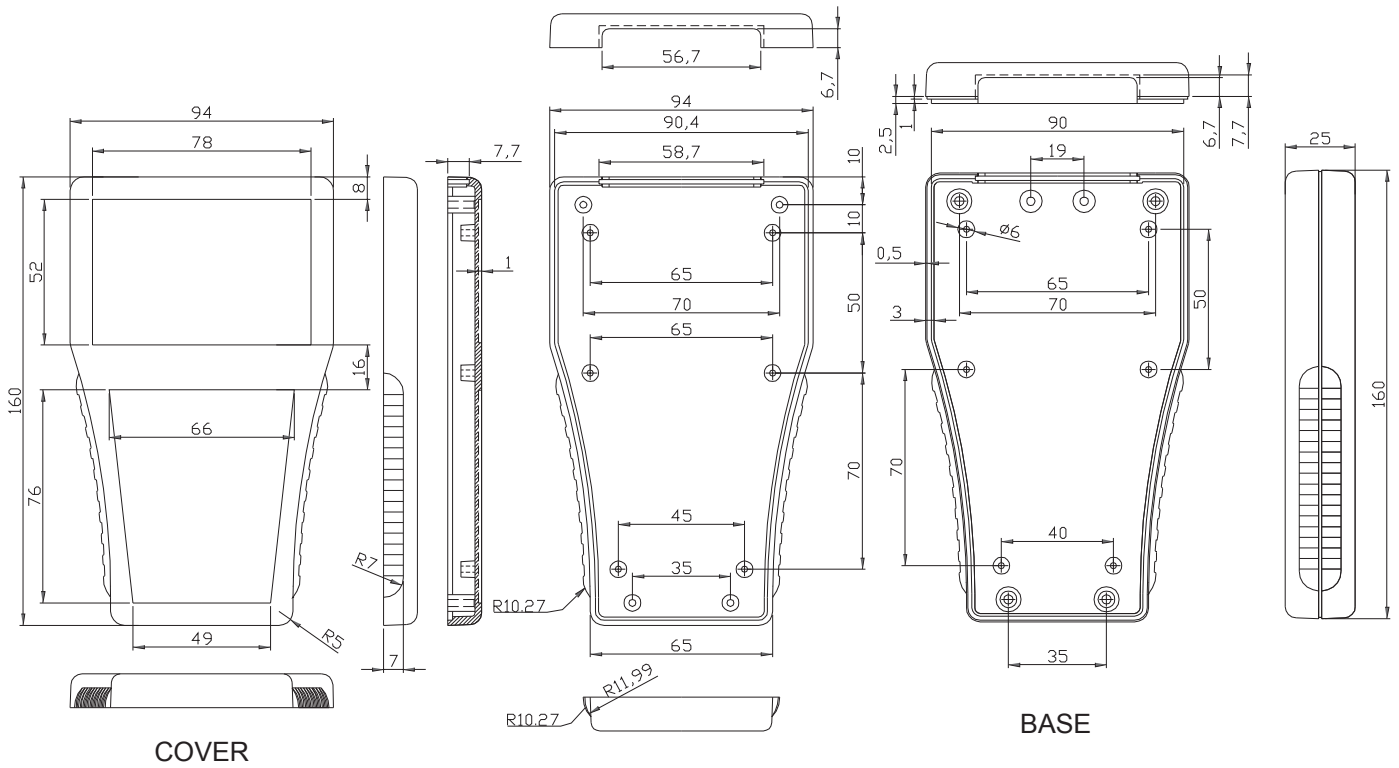
- Moulded in high impact ABS, grey and black color.

FEATURES:

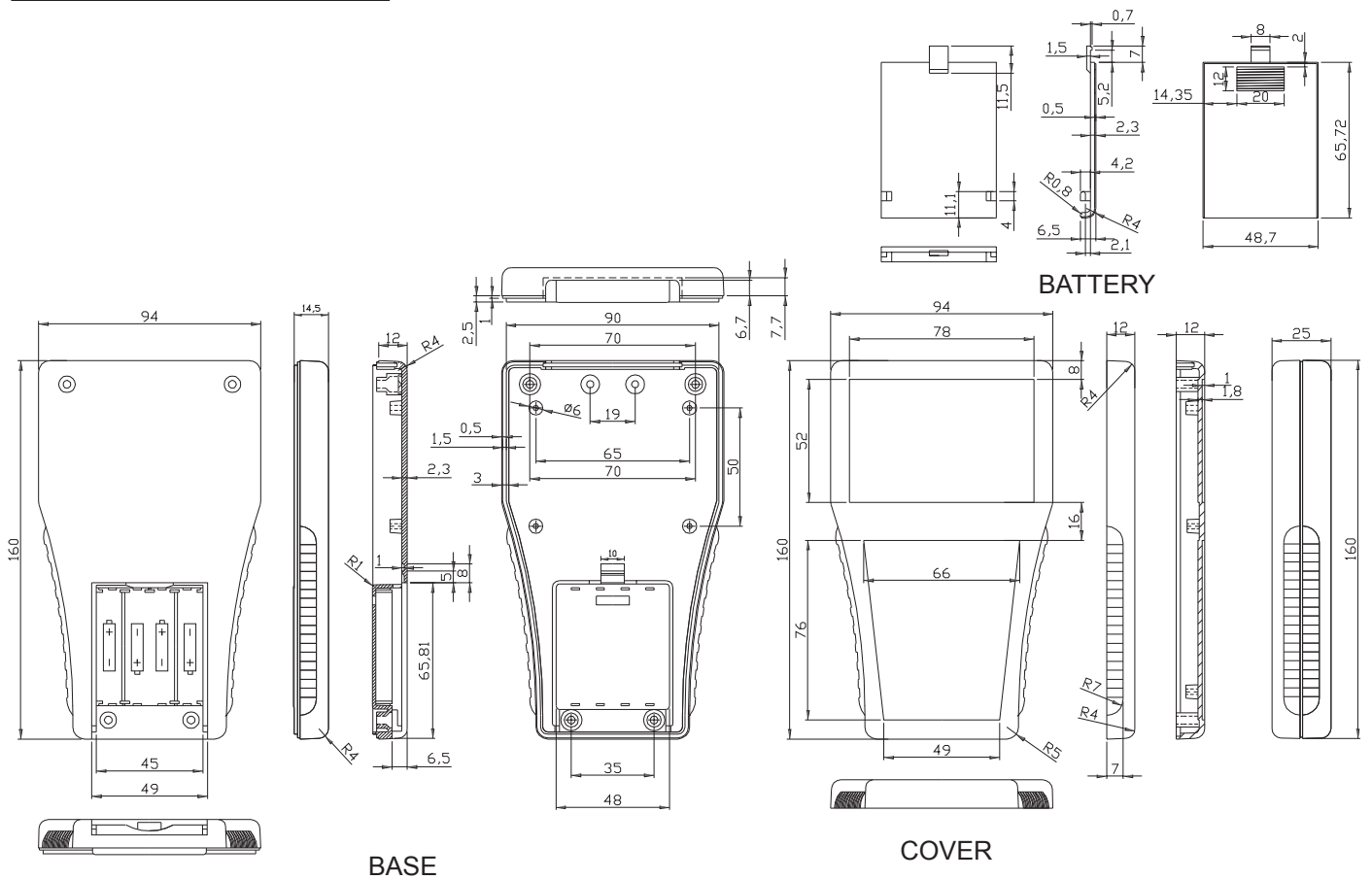
- Molded dark grey rubber sides for durability and grip.
- Designed to accept 2 AAA battery or 4 AAA battery.
- Recessed display area : 78 x 52 mm.
- “ G808-4AAA “ – 4 AAA battery contact kit is available.
- “ G808-2AAA “ – 2 AAAa battery contact kit is available.
- “ G900B Clip “ – Black belt clip and “ G900G Clip “ – Grey belt clip is available for ordering.
- G939TP “ – Red transparent panel is also available.

ITEM No.	COLOR	BATTERY COMPARTMENT
G808G	Grey	No
G808B	Black	No
G808G(BC)	Grey	Yes
G808B(BC)	Black	Yes
G808-2AAA	2 AAA Battery contact kit	
G808-4AAA	4 AAA Battery contact kit	

G808G/G808B

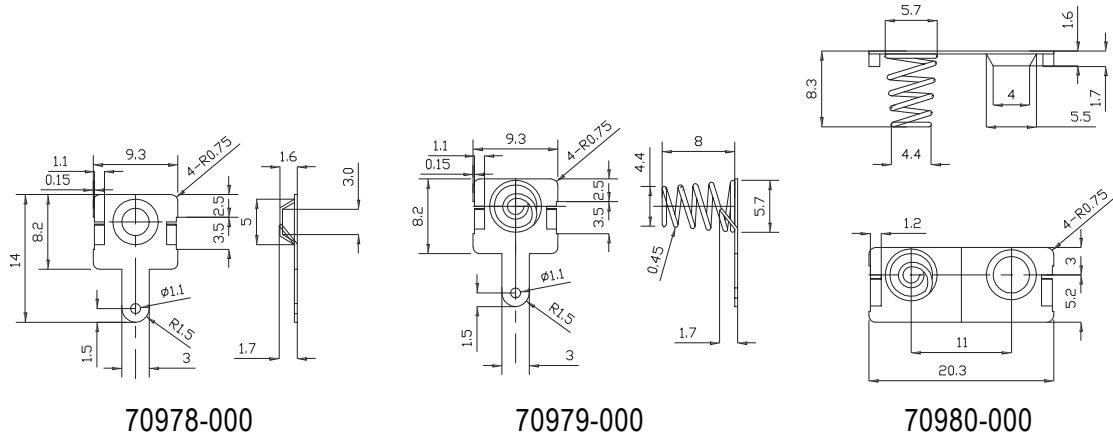


G808G(BC)/G808B(BC)



G808-2AAA

70978-000(X1)+70979-000(X1)+70980-000(X1)



G808-4AAA

70978-000(X1)+70979-000(X1)+70980-000(X1)+70980-040(x2)

