

## PRODUCT SPECIFICATION

**Model No.: FYL-5464UWW1C-S2**

Descriptions:
■ Dice material: InGaN.
■ Emitting Color: Super bright White.
■ Device Outline: $\Phi 5*4$ mm ellipse type.
■ Lens Type: White Diffused.



CUSTOMER APPROVED SIGNATURES	APPROVED BY	CHECKED BY	PREPARED BY

**NINGBO FORYARD OPTOELECTRONICS CO.,LTD.**

**Add:** NO.115 Qixin Road Ningbo Zhejiang China

**Zip:** 315051

**Tel:** 0086-574-87933652 87927870 87922206

**Fax:** 0086-574-87927917

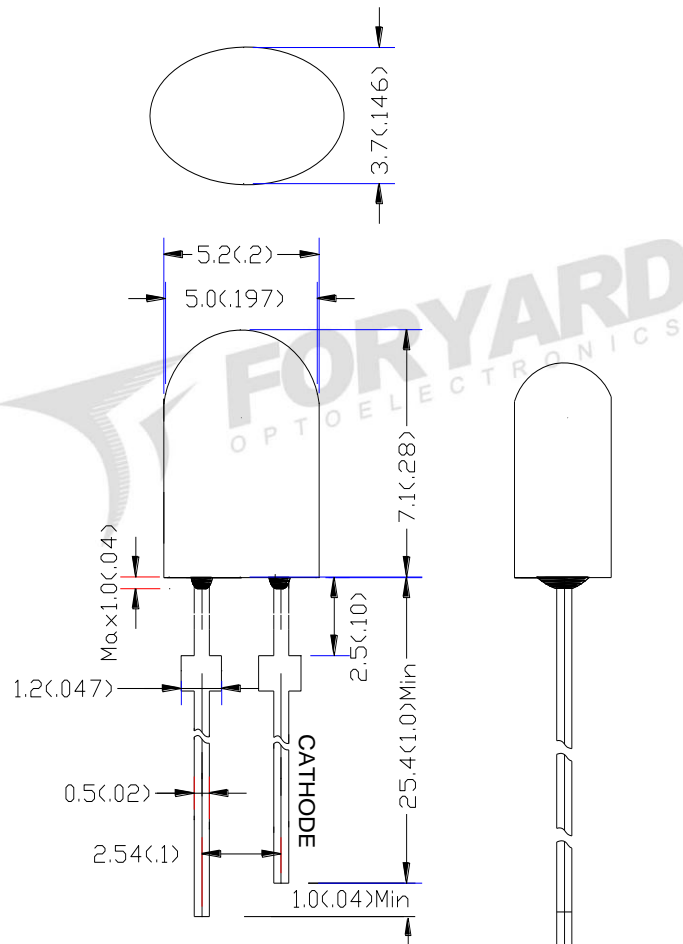
**E-mail:** Sales@foryard.com (General)

[Http://www.foryard.com](http://www.foryard.com)

## ■ Features

1. Low power consumption.
2. High efficiency.
3. General purpose leads.
4. High intensity.
5. RoHs compliant.

## ■ Package configuration



### Notes:

1. All dimensions are millimeters (inches)
2. Tolerance is  $\pm 0.25\text{mm}$  (.010") unless otherwise noted.
3. The specifications, characteristics and technical data described in the datasheet are subject to change without prior notice.

■ Absolute maximum ratings( $T_a=25\text{ }^{\circ}\text{C}$ )

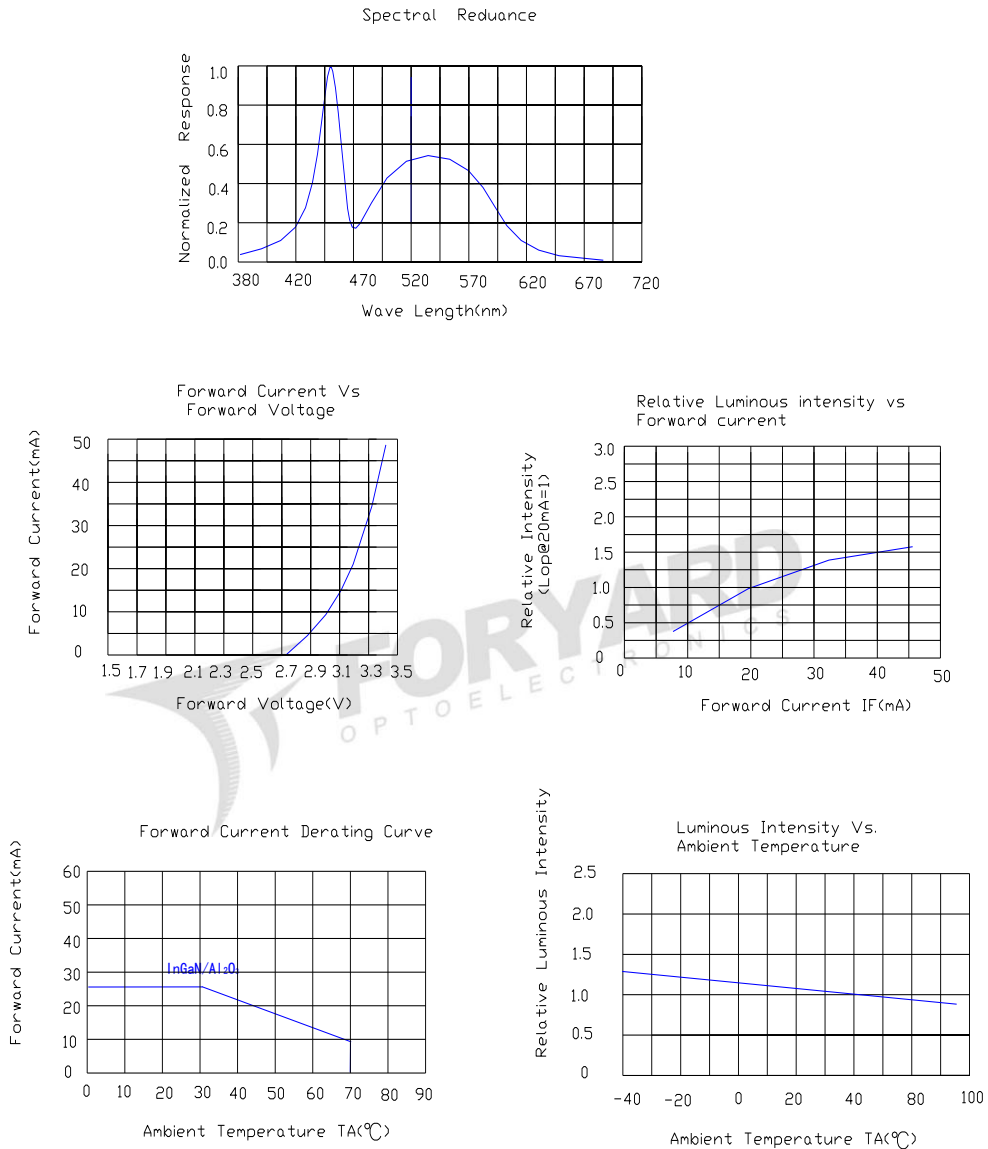
Parameter	MAX.	Unit
Power Dissipation	90	mW
Peak Forward Current (1/10 Duty Cycle, 0.1ms Pulse Width)	100	mA
Continuous Forward Current	25	mA
Derating Linear From 50 $^{\circ}\text{C}$	0.4	mA/ $^{\circ}\text{C}$
Reverse Voltage	5	V
Operating Temperature Range	-40 $^{\circ}\text{C}$ to +85 $^{\circ}\text{C}$	
Storage Temperature Range	-40 $^{\circ}\text{C}$ to +100 $^{\circ}\text{C}$	
Lead Soldering Temperature[4mm(.157") From Body]	260 $^{\circ}\text{C}$ for 5 Seconds	

■ Electrical and optical characteristics( $T_a=25\text{ }^{\circ}\text{C}$ )

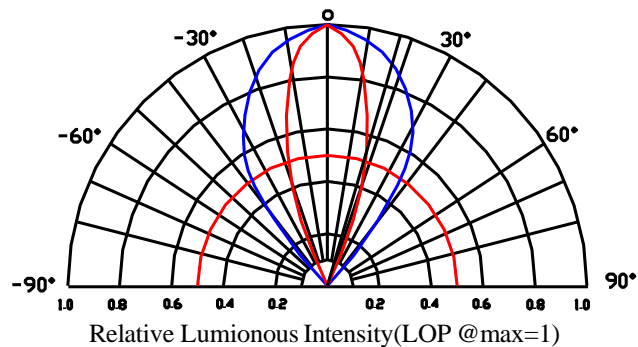
Parameter	Symbol	Min.	Typ.	Max.	Unit	Test Condition
Luminous Intensity	$I_v$	-	3500	-	mcd	$I_F=20\text{mA}$
Viewing Angle	20 $_{1/2}$	X	80	-	Deg	
		Y	40	-		
Chromaticity coordinates	X	-	0.30			
	Y		0.30			
Color temperature	CCT	-	8000	-	K	
Forward Voltage	$V_F$	2.8	3.2	3.4	V	
Reverse Current	$I_R$			10	$\mu\text{A}$	$V_R=5\text{V}$

## ■ Typical Electrical Characteristics Curves

(25 °c Ambient Temperature Unless Otherwise Noted)

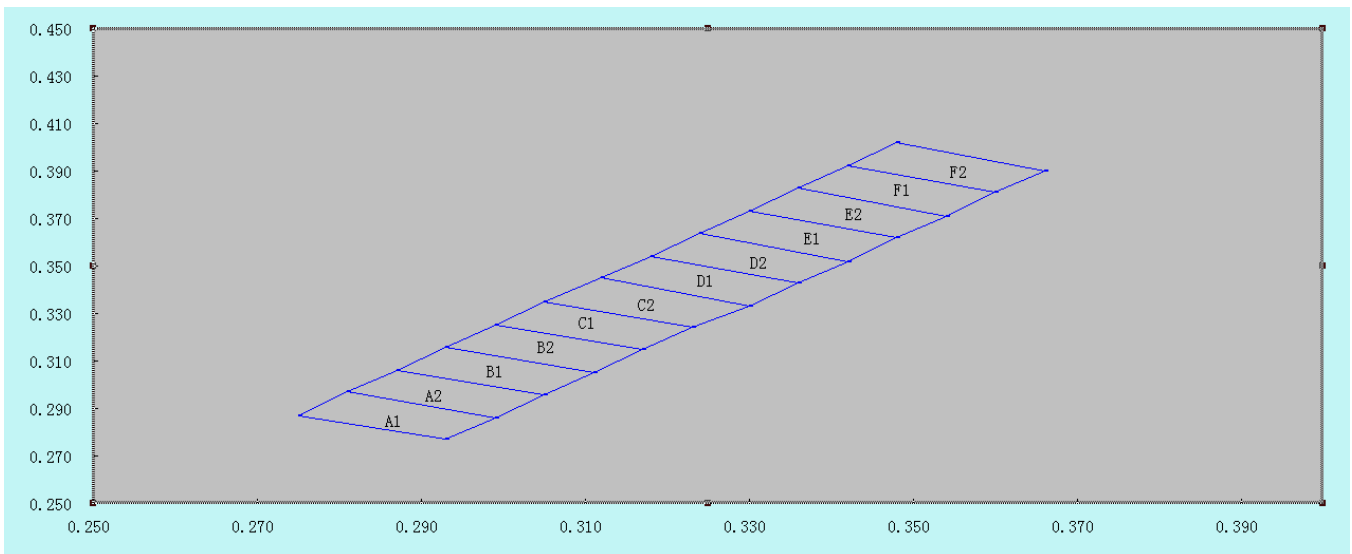


## Radiation pattern.



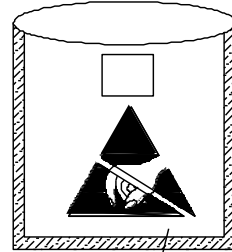
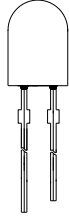
■ The table of chromaticity coordinate@20mA

BIN	CIE	Top	Right	Bott	Left
A1	X	0.281	0.299	0.293	0.275
	Y	0.297	0.286	0.277	0.287
A2	X	0.287	0.305	0.299	0.281
	Y	0.306	0.296	0.286	0.297
B1	X	0.293	0.311	0.305	0.287
	Y	0.316	0.305	0.296	0.306
B2	X	0.299	0.317	0.311	0.293
	Y	0.325	0.315	0.305	0.316
C1	X	0.305	0.323	0.317	0.299
	Y	0.335	0.324	0.315	0.325
C2	X	0.312	0.330	0.323	0.305
	Y	0.345	0.333	0.324	0.335
D1	X	0.318	0.336	0.330	0.312
	Y	0.354	0.343	0.333	0.345
D2	X	0.324	0.342	0.336	0.318
	Y	0.364	0.352	0.343	0.354
E1	X	0.330	0.348	0.342	0.324
	Y	0.373	0.362	0.352	0.364
E2	X	0.336	0.354	0.348	0.330
	Y	0.383	0.371	0.362	0.373
F1	X	0.342	0.360	0.354	0.336
	Y	0.392	0.381	0.371	0.383
F2	X	0.348	0.366	0.360	0.342
	Y	0.402	0.390	0.381	0.392

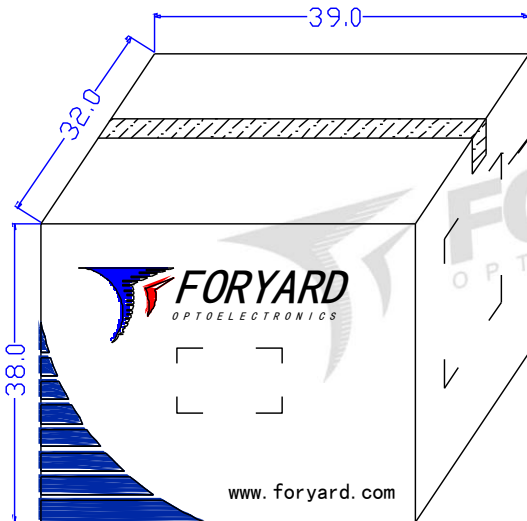
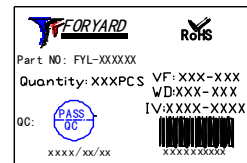


Model. No.	FYL-5464UWW1C-S2
Rev.	A

■ LAMP PACKING.

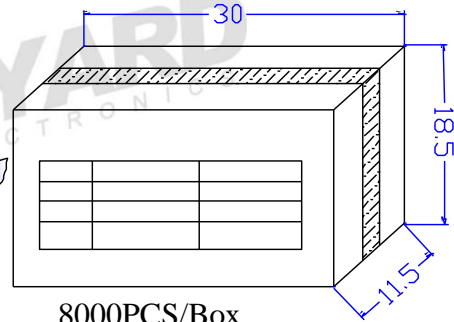


5mm 1000PCS/Polybag



48000PCS/Carton

OUTSIDE LABEL



8000PCS/Box



OUTSIDE LABEL