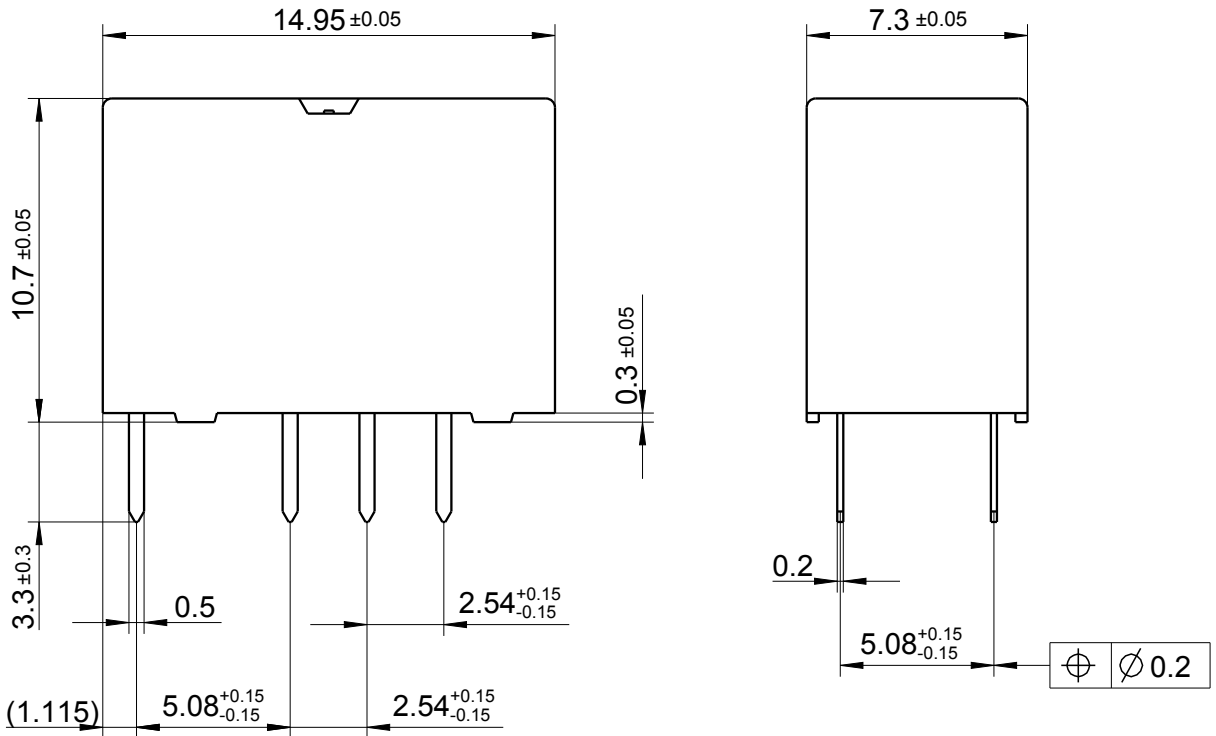
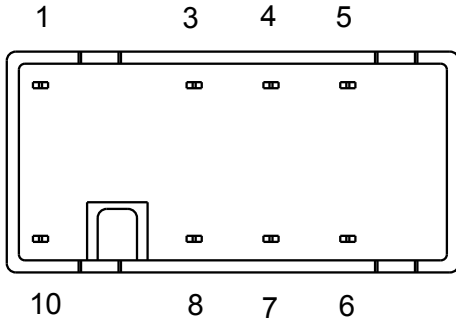



LOC	DIST	REVISIONS					
		P	LTR	DESCRIPTION	DATE	DWN	APVD
HJ	-		A4	Doc change D02309-DOK51 to C-1462034-2	30Jan2006	UKo	HD
			A5	change marking	28Jul2006	UKo	HD
			A6	REVISED PER ECO-11-005150	23MAR2011	RK	HMR
			A7	REVISED PER ECO-13-009556	14JUN2013	UKo	AK



xxxx = Relay type  
 zz = nominal voltage  
 YYWW = Date code

DRAWING ALIAS: D02309-DOK51

DIMENSIONS: mm	DWN RG 9181	21MAR1995	MATERIAL	-	FINISH	-
	CHK HD 9121	21MAR1995	 TE Connectivity			
TOLERANCES UNLESS OTHERWISE SPECIFIED: DIN 7168-m	APVD HD 9121	21MAR1995				
0 PLC ±-	PRODUCT SPEC	-	NAME FX2-Relay Dimensions			
1 PLC ±-	APPLICATION SPEC	-				
2 PLC ±-	WEIGHT	-	SIZE	CAGE CODE	DRAWING NO	RESTRICTED TO
3 PLC ±-			A4	00779	C-1462034-2	-
4 PLC ±-			CUSTOMER DRAWING			
ANGLES ±-			SCALE	4:1	SHEET	1 OF 1
					REV	A7