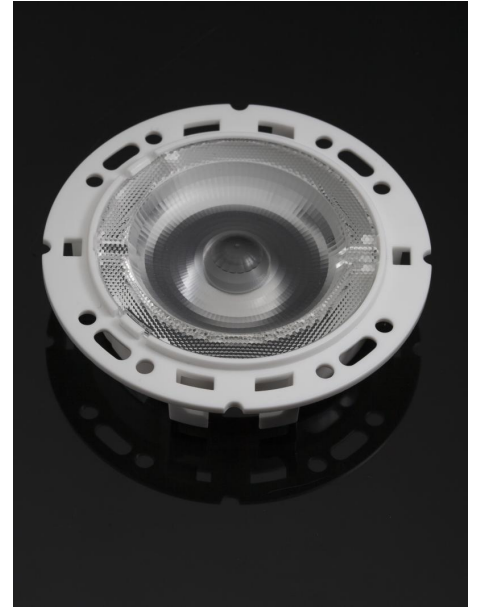


## DETAILS

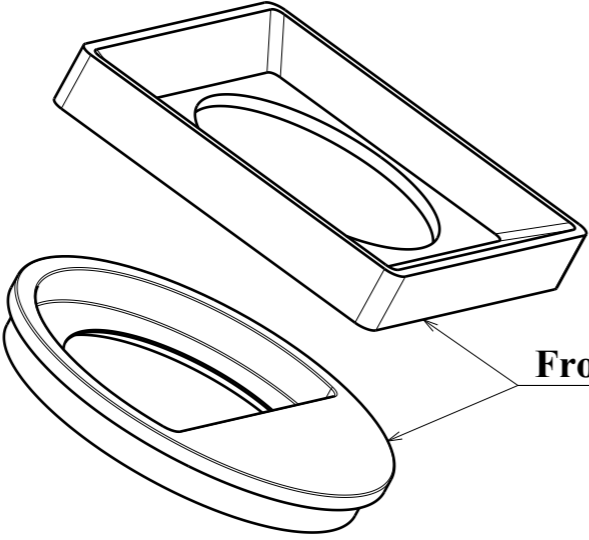
<b>Product Number</b>	FN15552_RONDA-W
<b>Family</b>	Ronda
<b>Type</b>	Assembly
<b>Color</b>	white
<b>Diameter</b>	69,9 mm
<b>Height</b>	14,6 mm
<b>Style</b>	round
<b>Optic Material</b>	PMMA
<b>Holder Material</b>	
<b>Fastening</b>	
<b>Status</b>	production ready
<b>ROHS Compliant</b>	Yes
<b>Date Updated</b>	26/01/2017



## OPTICAL PROPERTIES

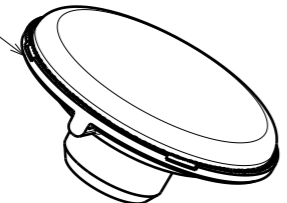
LED	Viewing Angle	Light Beam	Efficiency	cd/lm	Connector
V13 Gen7	54 deg	Wide	84 %	0.850	TE: 2213254-2 + OPTIC CLIP Z50 TYPE1 2213194-1
V13 Gen7	sim: 46	Wide	sim: 83 %	sim: 0.950	IDEAL: 50-2103CT + 50-2100AN
V10 Gen6	NULL deg	Wide	88 %	-	Bender Wirth: 455 Typ L1
VERO13	55 deg	Wide	90 %	0.950	-
CLU710/711	NULL deg	Wide	89 %	-	Bender Wirth: 470 Typ L1
CLL02x/CLU02x (LES10)	NULL deg	Wide	88 %	-	Bender Wirth: 434 Typ L1
CXA/B 1816 & CXA/B 1820 & CXA 1850 sim: 45		Wide	87 %	-	TE: 2213401-2 + OPTIC CLIP Z50 TYPE1 2213194-1
CXA/B 15xx	NULL deg	Wide	88 %	-	Bender Wirth: 441 Typ L1
CXA/B 1816 & CXA/B 1820 & CXA 1850 NULL deg		Wide	88 %	-	Bender Wirth: 437 Typ L1
CXA/B 15xx	63 deg	Wide	91 %	0.750	-
LUXEON CoB 1202/1203	sim: 43	Wide	86 %	-	TE: 2213382-2 + OPTIC CLIP Z50 TYPE1 2213194-1
NSCxL036A	sim: 36	Wide	88 %	-	TE: 2213382-2 + OPTIC CLIP Z50 TYPE1 2213194-1
COB L-Type (LES 9)	sim: 42	Wide	87 %	-	TE: 2213382-2 + OPTIC CLIP Z50 TYPE1 2213194-1
Fortimo SLM G5 LES 15 Standard	57 deg	Wide	83 %	0.710	TE: OPTIC CLIP Z50 TYPE1 2213194-1
Mini Zenigata (GW6BM)	NULL deg	Wide	89 %	-	Bender Wirth: 452 Typ L1
SLE G6 LES15	sim: 55	Wide	sim: 81 %	sim: 0.890	TE: 2213254-2 + OPTIC CLIP Z50 TYPE1 2213194-1

H G F E D C B A



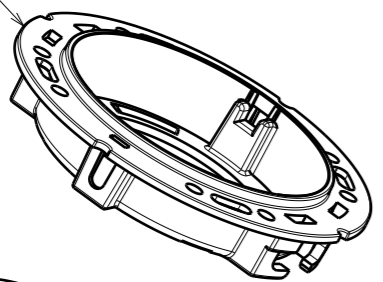
**Front plate examples**

D=49.9

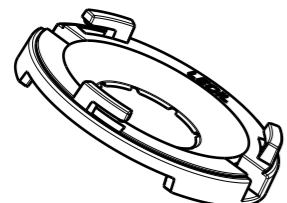


**Optic**

D=69.9mm



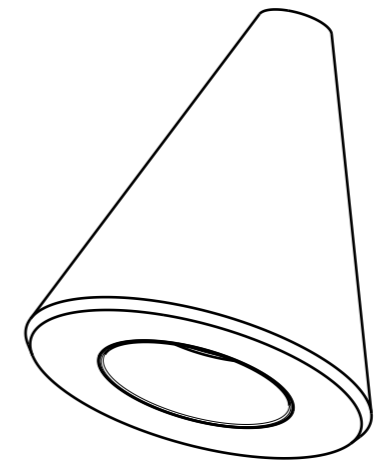
**Ledil-clamp / TE / Bender-wirth / other twist and lock socket types (holder A)**



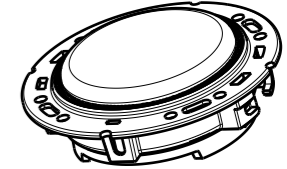
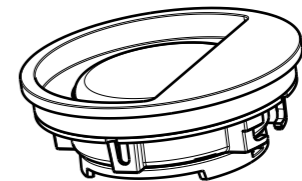
**BJB and Stucchi 50mm (holder B)**



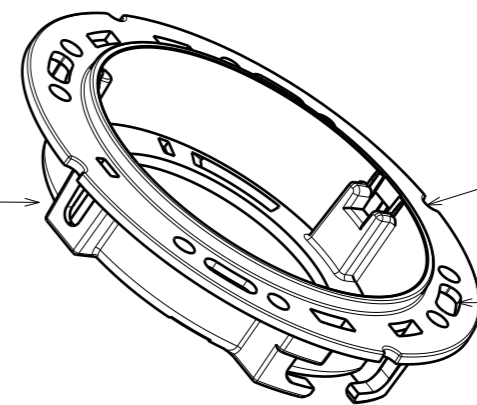
**LES size up to ~14mm, see compatibility [www.ledil.com](http://www.ledil.com)**



**Examples**



**Horizontal fix: M3 Nut + bolt**



**Rotation fix**

**Vertical fix: M3 Screw / Twist and lock / Snap**

4

3

2

1

4

3

2

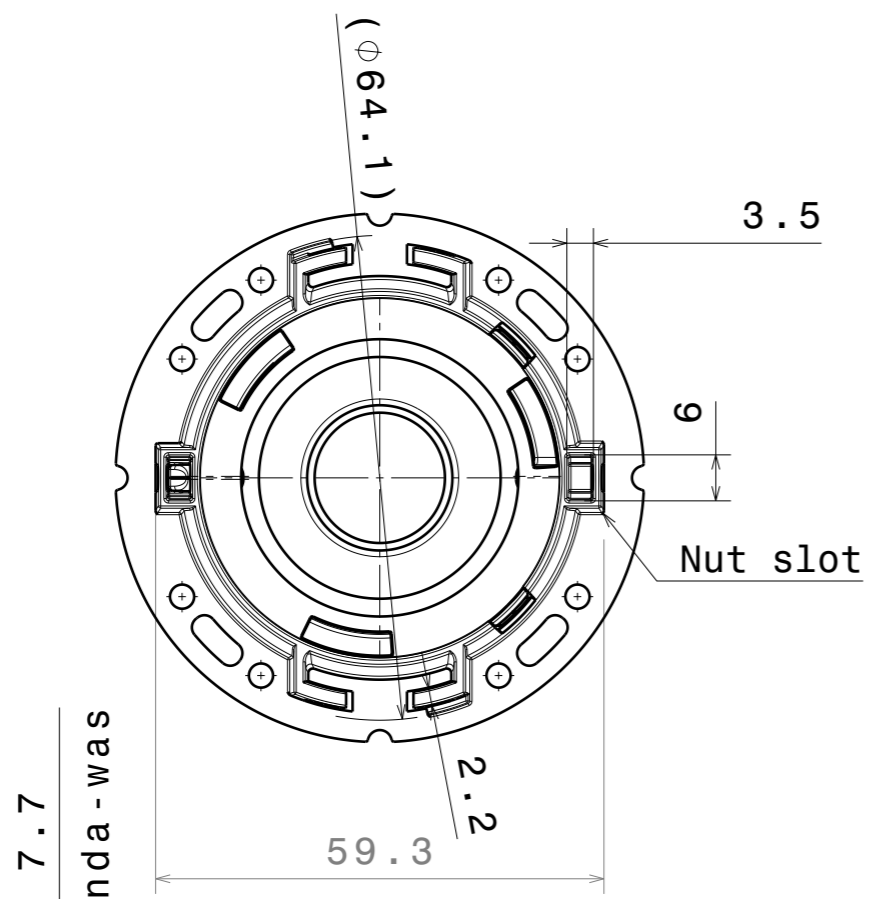
1

See more details on page 2 and 3

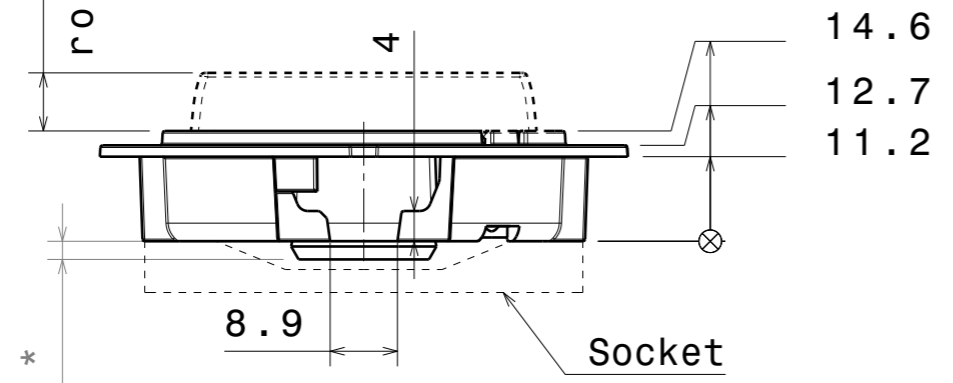
Tolerances if not otherwise shown According to DIN ISO 2768-1 Linear measures: up to 30mm class M, otherwise class C According to DIN ISO 2768-2 Form and position: class L		<b>LEDiL</b> Ledil Oy Salorankatu 10 FIN 24240 SALO Finland	
THIRD ANGLE PROJECTION:		DRAWING TITLE <p style="text-align: center;"><b>RONDA-family</b></p>	
This drawing is the property of LEDiL Oy. It may not be reproduced, copied or communicated without a written agreement with LEDiL Oy.		SIZE <p style="text-align: center;"><b>A3</b></p>	PART NUMBER <p style="text-align: center;">-</p>
		SCALE 1:1	WEIGHT -
		SHEET 1/3	

H G B A

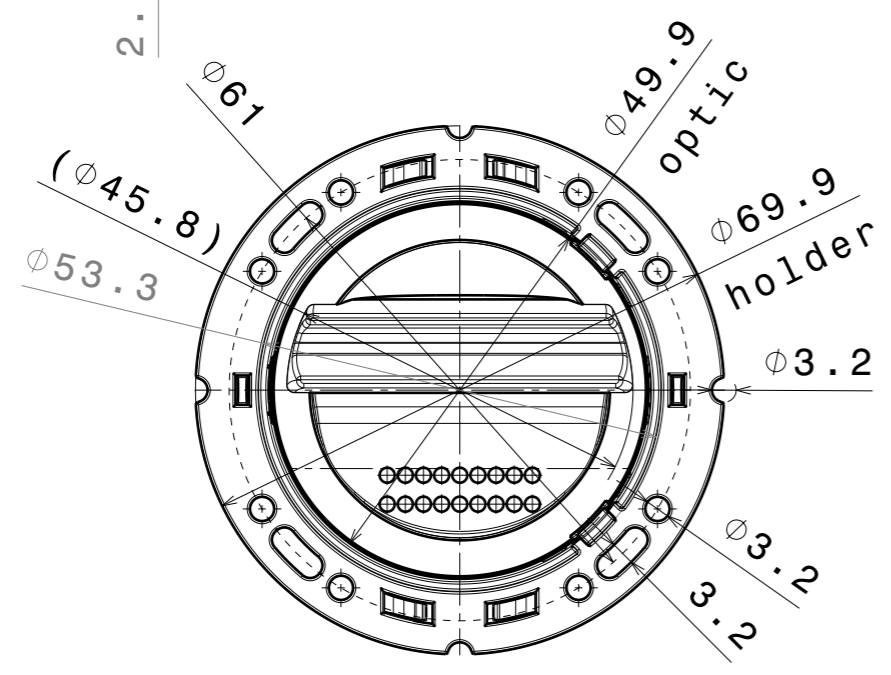
Bottom view



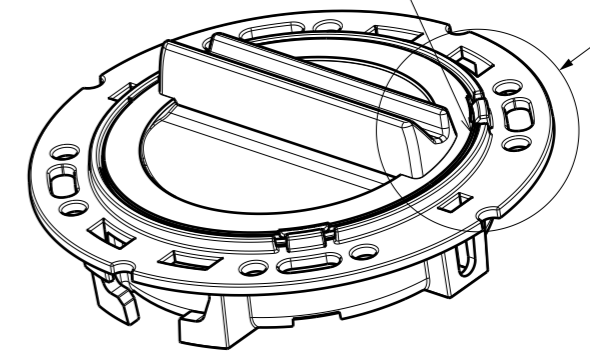
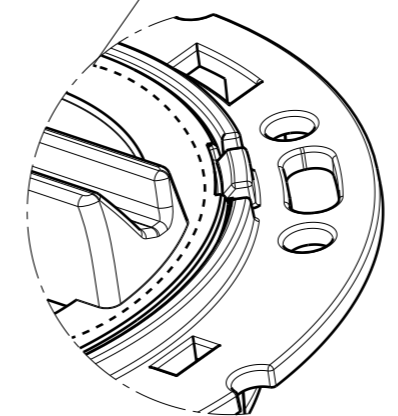
Front view



Top view



Front panel location suggestion when seamless look needed



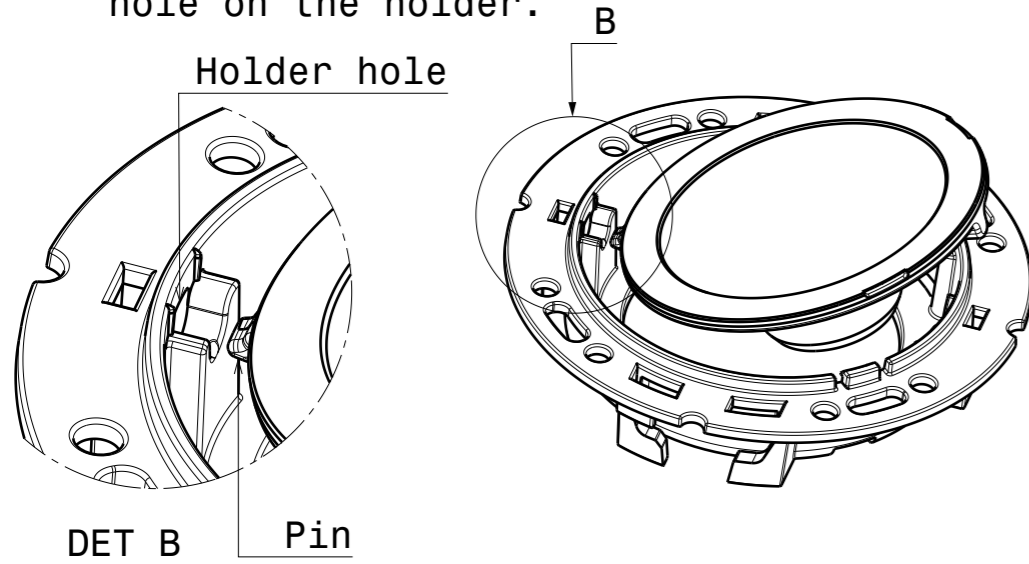
Isometric view

\* Ensure from 3d according specific optic version

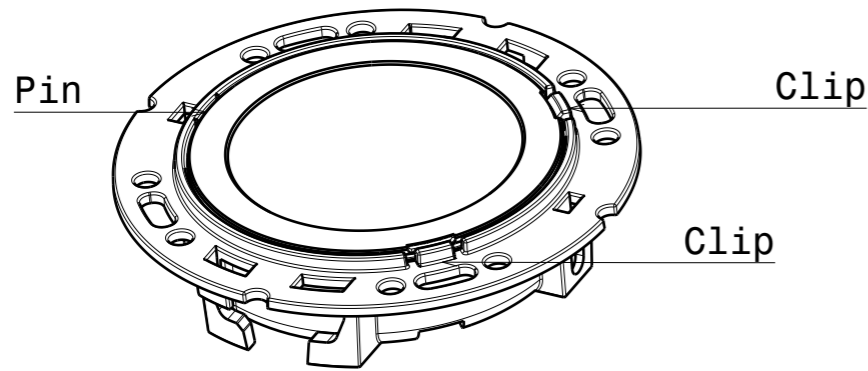
Tolerances if not otherwise shown According to DIN ISO 2768-1 Linear measures: up to 30mm class M, otherwise class C According to DIN ISO 2768-2 Form and position: class L		<b>LEDiL</b> Ledil Oy Salorankatu 10 FIN 24240 SALO Finland	
THIRD ANGLE PROJECTION:		DRAWING TITLE <b>RONDA-family</b>	
This drawing is the property of LEDiL Oy. It may not be reproduced, copied or communicated without a written agreement with LEDiL Oy.		SIZE <b>A3</b>	PART NUMBER -
		SCALE 1:1	WEIGHT -
		SHEET 2/3	

**OPTIC/HOLDER ASSEMBLY**

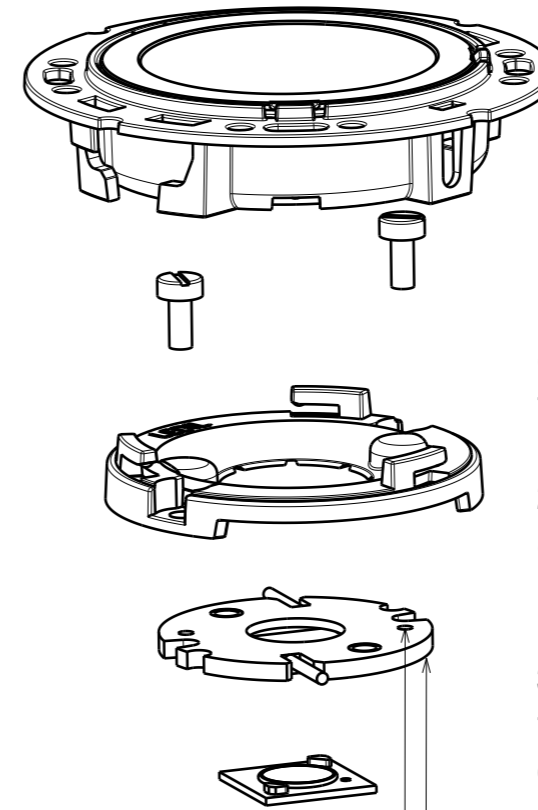
1. Place pin on the side of the lens into relative hole on the holder.



2. Press the lens under clips on the holder, ensuring both clips are fixed.



**TYPICAL CONNECTOR ASSEMBLY (including solderless BENDER WIRTH as example)**



1. Ensure correct relation of clamp and connector before screwing. Recommended torque 0.6Nm.

2. Assemble LED, BENDER&WIRTH connector and C13658\_CLAMP-VER013-18 clamp on heatsink with M3 screw.

3. Attach optic by aligning the holes in the holder with hooks and turning the optic holder clockwise until it locks.

Bender&Wirth model 4xx Typ L1

Align clamp positioning pin with holes in the connector.

Tolerances if not otherwise shown  
According to DIN ISO 2768-1  
Linear measures:  
up to 30mm class M, otherwise class C  
According to DIN ISO 2768-2  
Form and position: class L

**LEDiL** LediL Oy  
Salorankatu 10  
FIN 24240 SALO  
Finland

THIRD ANGLE PROJECTION:

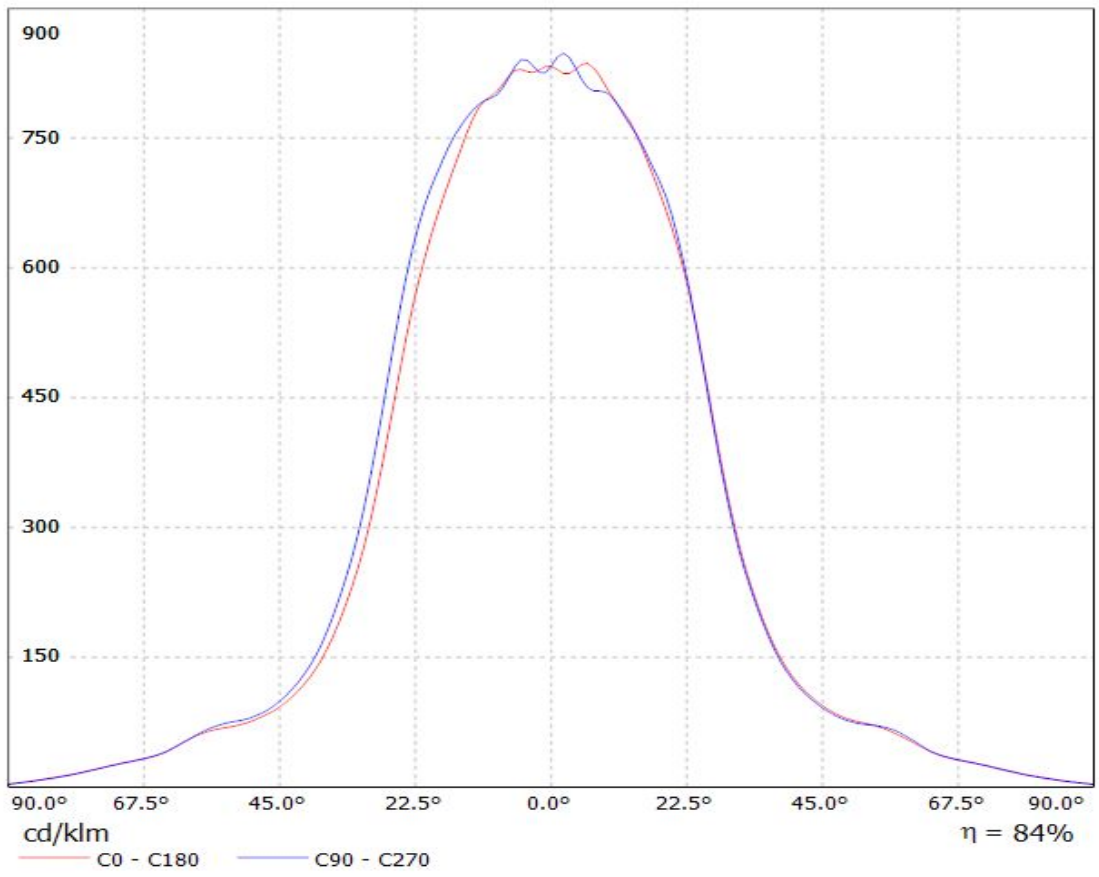
DRAWING TITLE  
**RONDA-family**

This drawing is the property of LEDiL Oy. It may not be reproduced, copied or communicated without a written agreement with LEDiL Oy.

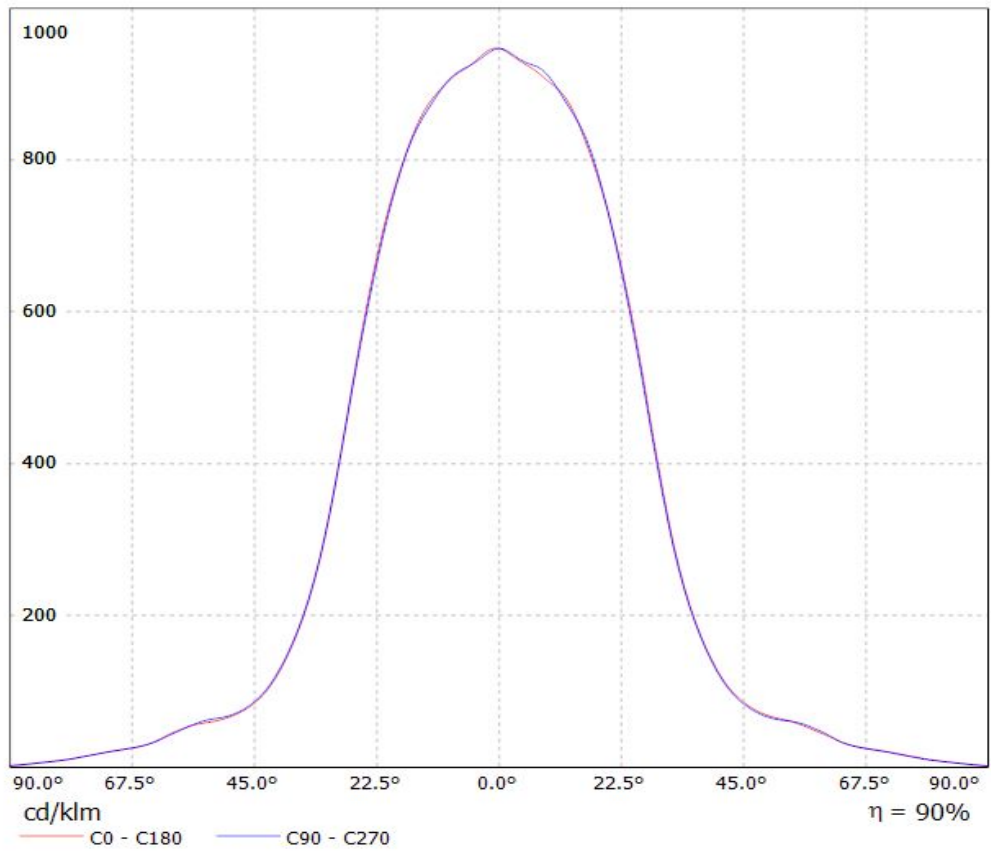
SIZE	PART NUMBER		
A3	-		
SCALE	1:1	WEIGHT	-
SHEET		3/3	

Luminaire: LEDiL Oy FN15552\_RONDA-W\_(V13\_Gen7)+TE

Lamps: 1 x Bridgelux\_V13\_Gen7\_(BXRE-30E2000-B\_+TE\_2213254-2+TE\_2213194-1)\_1295.55lm@250mA\_P=8.30985W\_I=0.25A

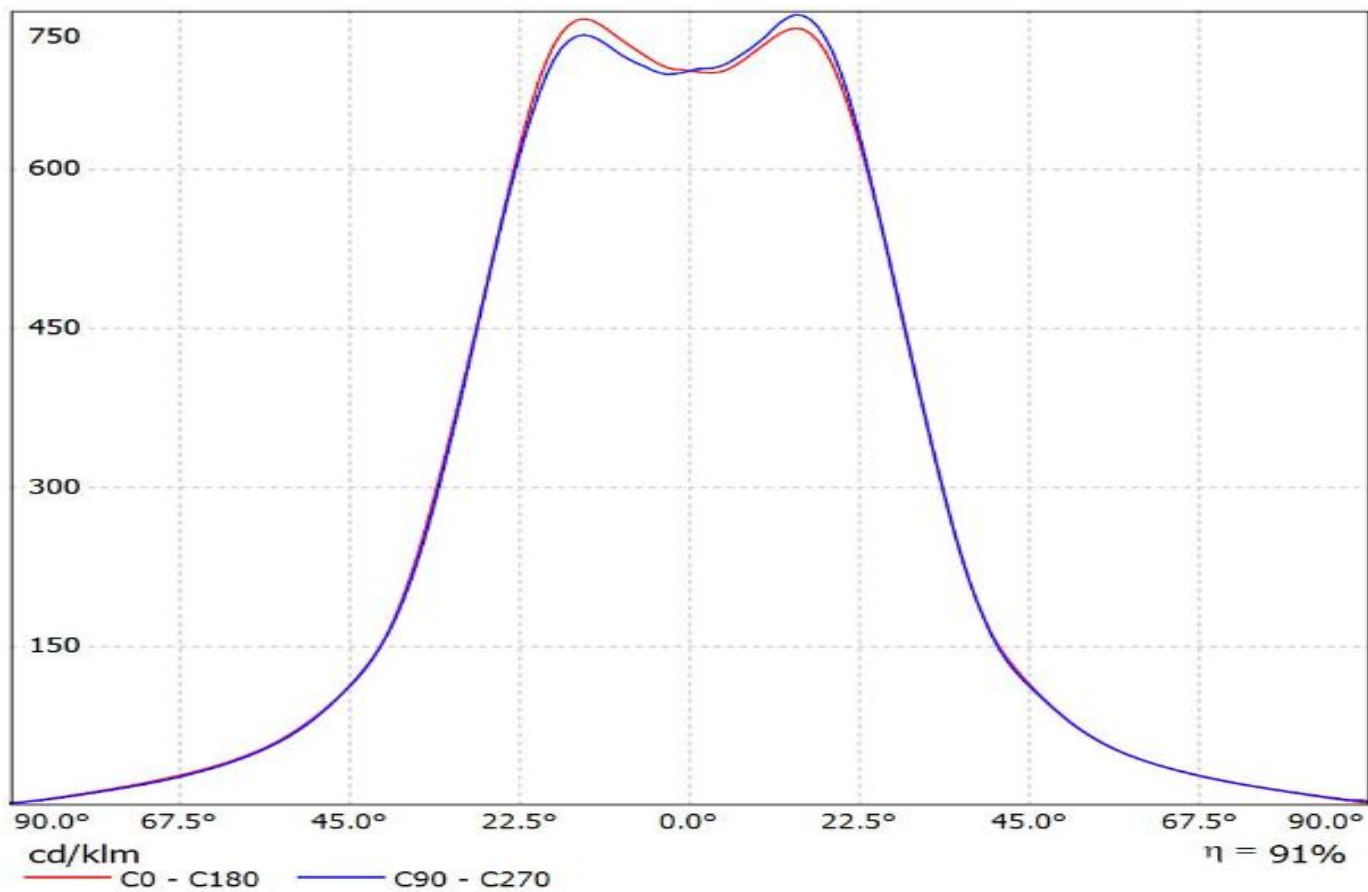


Luminaire: LEDiL Oy FCN15621\_RONDA-W\_(VERO13)  
Lamps: 1 x Bridgelux\_VERO13\_(BXRC-30E2000-C-Z3)\_+C13658\_CLAMP-VERO13-18\_956.274lm@250mA\_CCT=3000K\_P=7.59867W\_I=0.25A



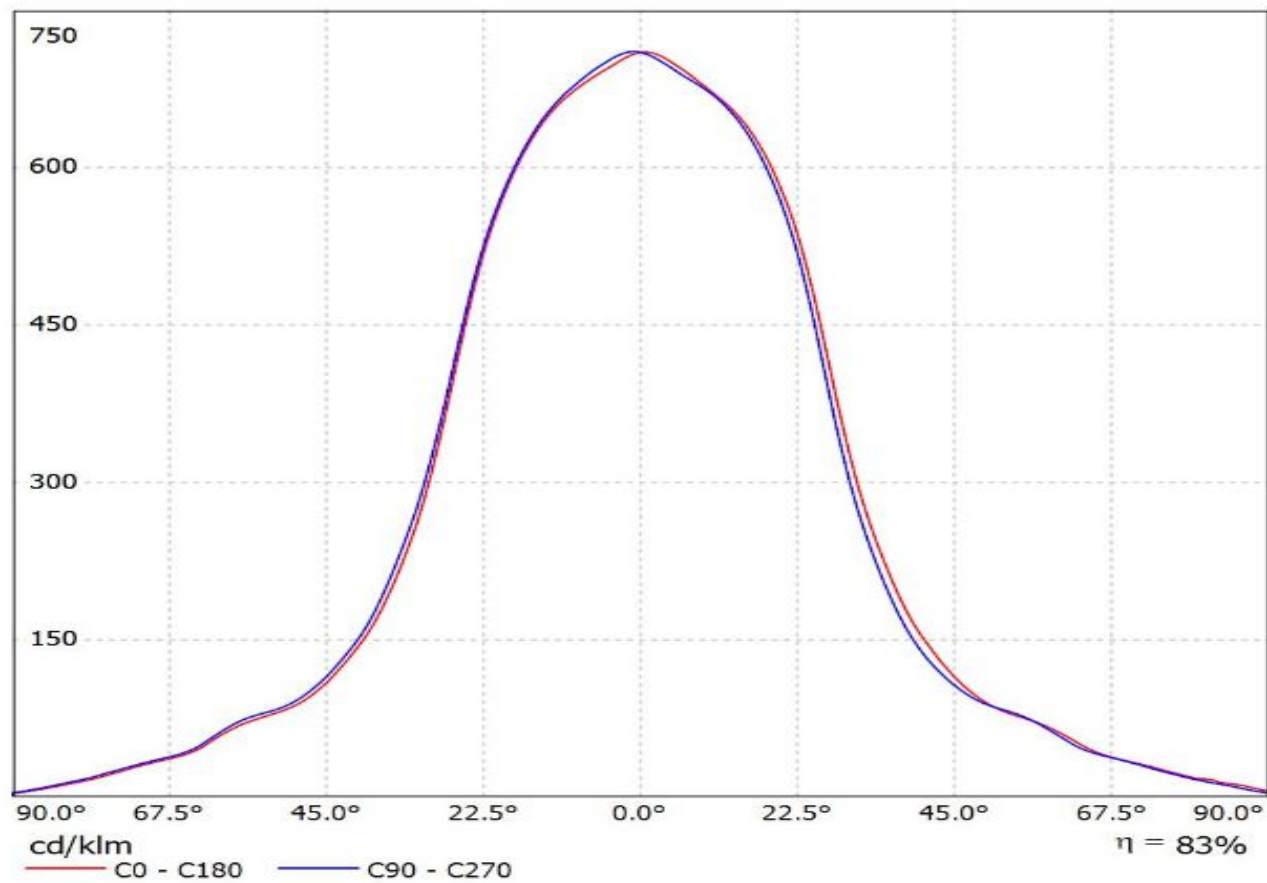


Luminaire: LEDiL Oy FCN15739\_RONDA-REC-60\_(CXA1520)  
Lamps: 1 x Cree\_CXA1520\_(CXA1520-30F-N4-N0H-00001)+C14123\_CLAMP-CXA15-18\_1003.41lm@250mA\_P=8.57488W\_I=0.25A



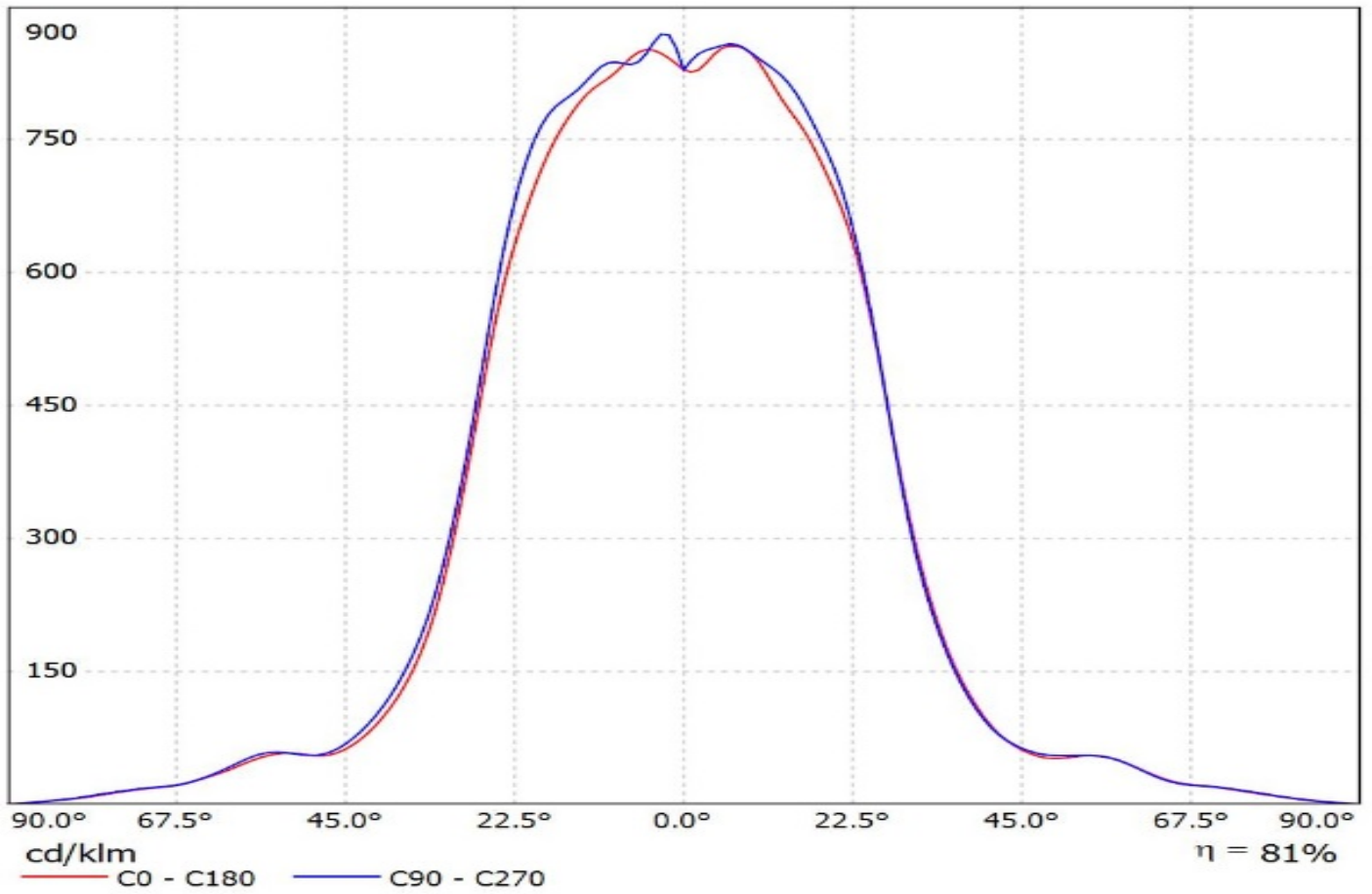
Luminaire: Ledil FN15552\_RONDA-W (SLM\_G5\_LES\_15\_+TE)

Lamps: 1 x Philips\_SLM\_G5\_LES\_15\_+TE\_2213194-1\_1277.72lm@250mA\_P=8.208W\_I=0.25A



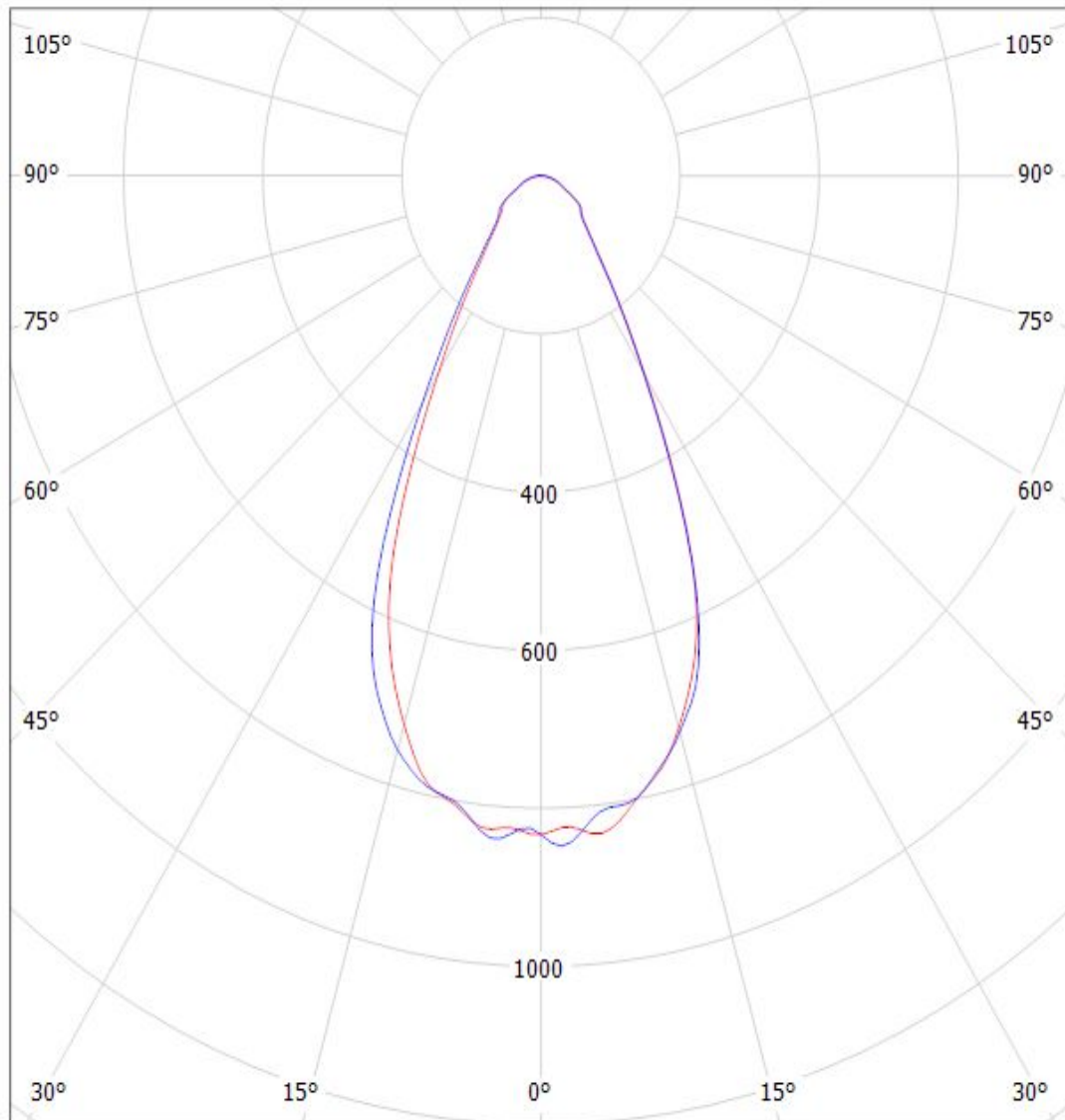


Luminaire: Ledil Oy FN15552\_RONDA-W\_(SLE\_G6\_LES15)\_(2213254-2\_+ 2213194-1)\_SIMULATED  
Lamps: 1 x Tridonic SLE G6 LES15 + Tyco Electronics 2213254-2 + TE 2213194-1 Optic clip



Luminaire: LEDiL Oy FN15552\_RONDA-W\_(V13\_Gen7)+TE

Lamps: 1 x Bridgelux\_V13\_Gen7\_(BXRE-30E2000-B\_+TE\_2213254-2+TE\_2213194-1)\_1295.55lm@250mA\_P=8.30985W\_I=0.25A



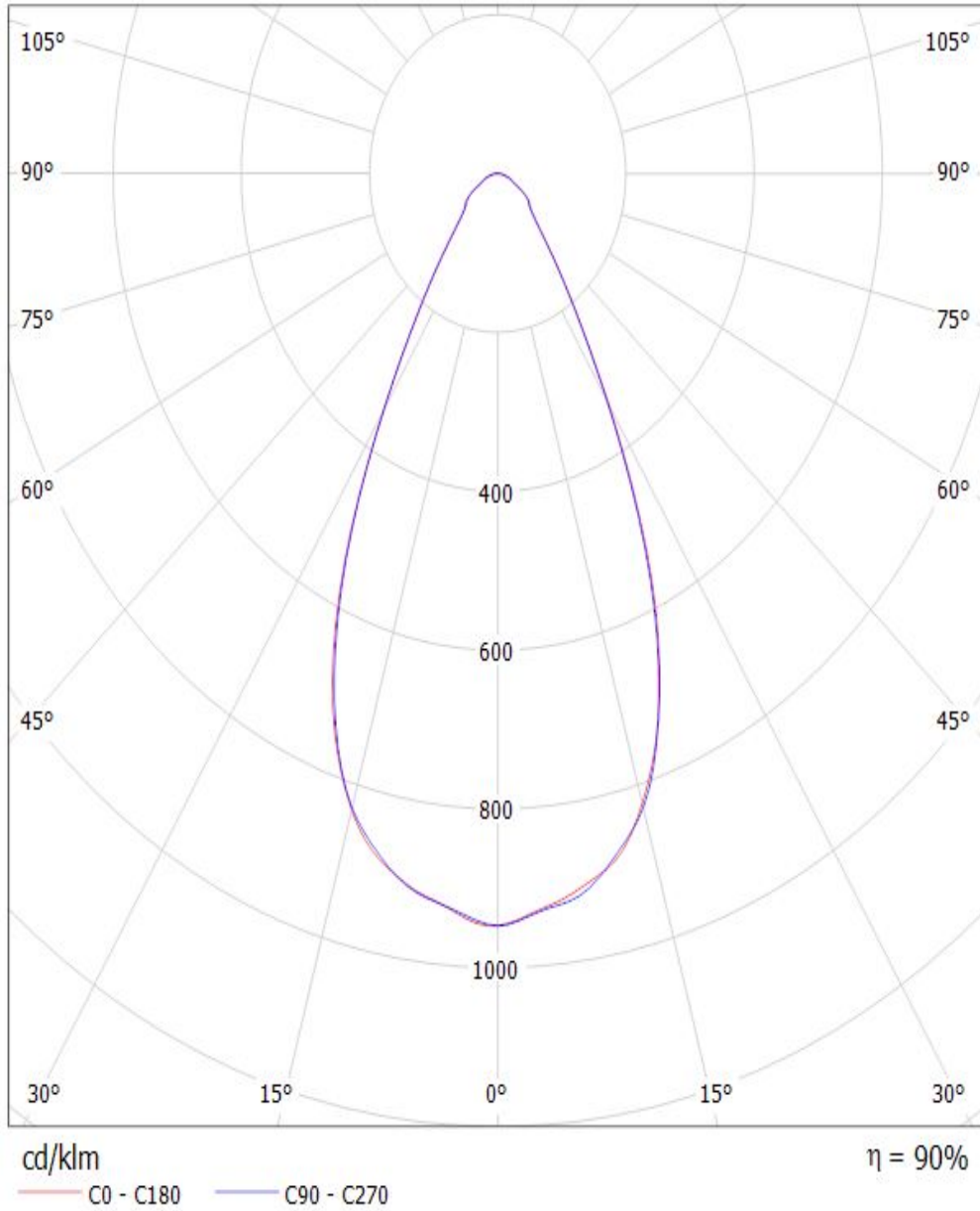
cd/klm

— C0 - C180 — C90 - C270

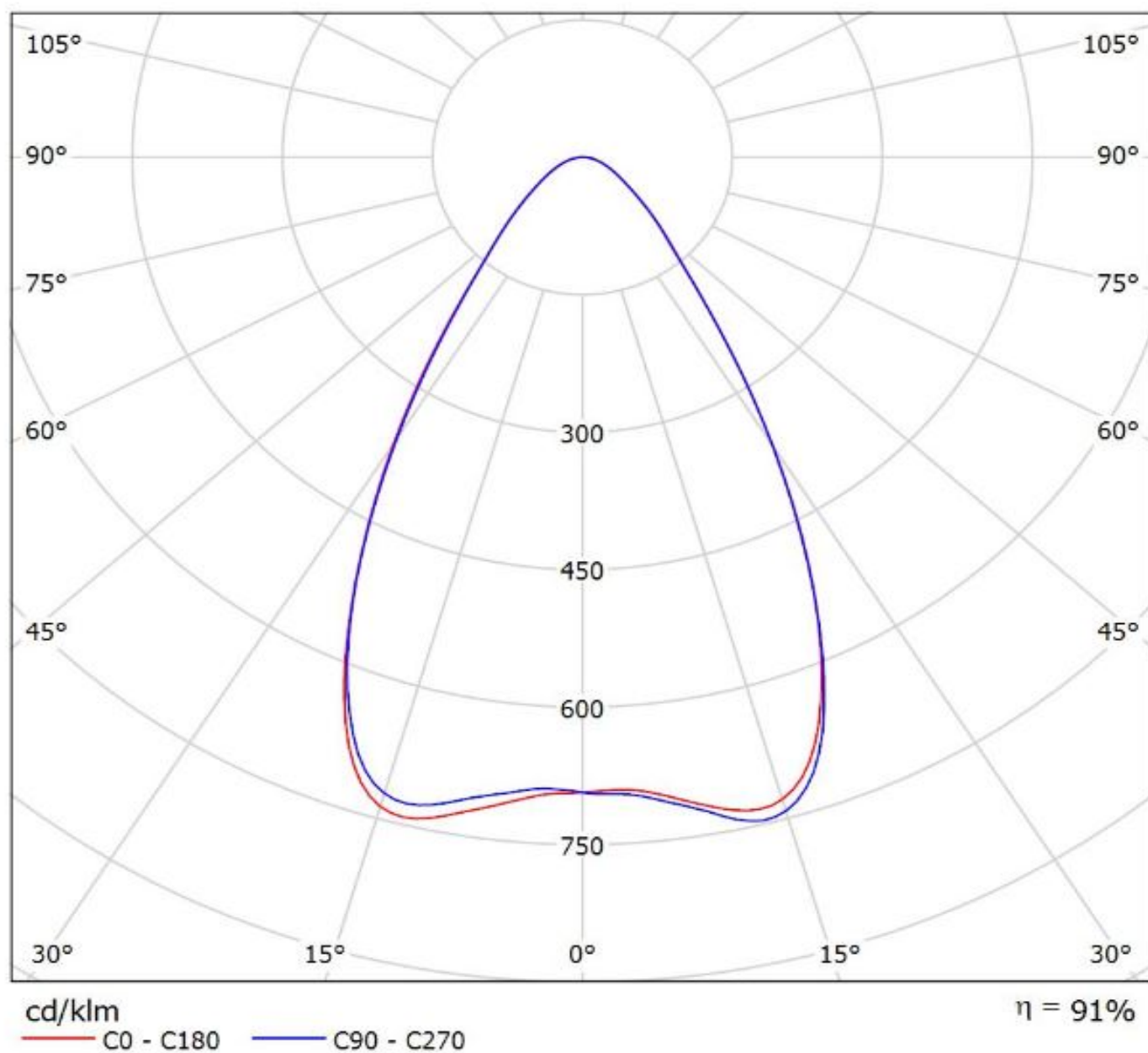
$\eta = 84\%$

Luminaire: LEDiL Oy FCN15621\_RONDA-W\_(VERO13)

Lamps: 1 x Bridgelux\_VERO13\_(BXRC-30E2000-C-Z3)\_+C13658\_CLAMP-VERO13-18\_956.274lm@250mA\_CCT=3000K\_P=7.59867W\_I=0.25A

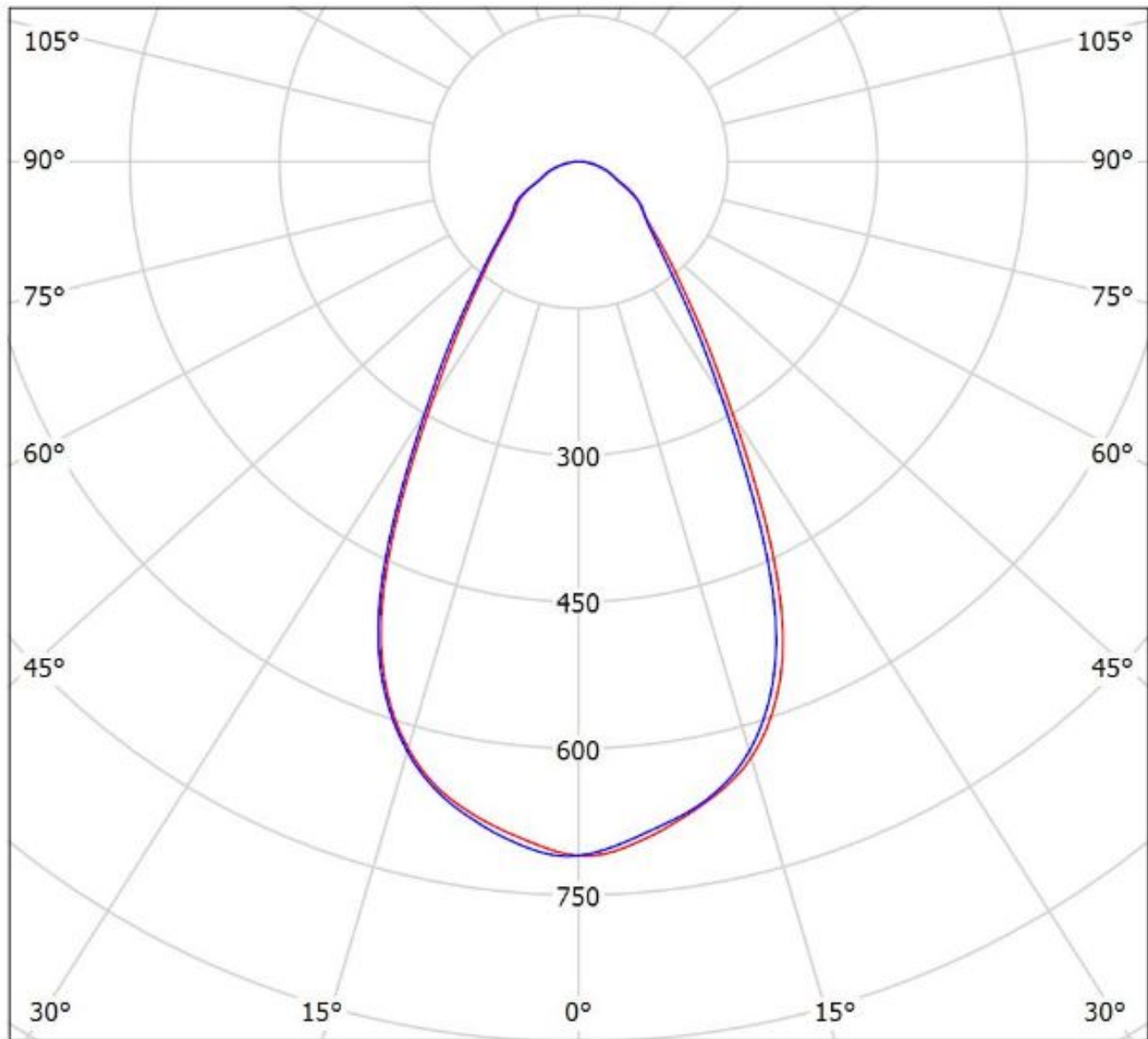


Luminaire: LEDiL Oy FCN15739\_RONDA-REC-60\_(CXA1520)  
Lamps: 1 x Cree\_CXA1520\_(CXA1520-30F-N4-N0H-00001)+C14123\_CLAMP-CXA15-  
18\_1003.41lm@250mA\_P=8.57488W\_I=0.25A



Luminaire: Ledil FN15552\_RONDA-W\_(SLM\_G5\_LES\_15\_+TE)

Lamps: 1 x Philips\_SLM\_G5\_LES\_15\_+TE\_2213194-1\_1277.72lm@250mA\_P=8.208W\_I=0.25A

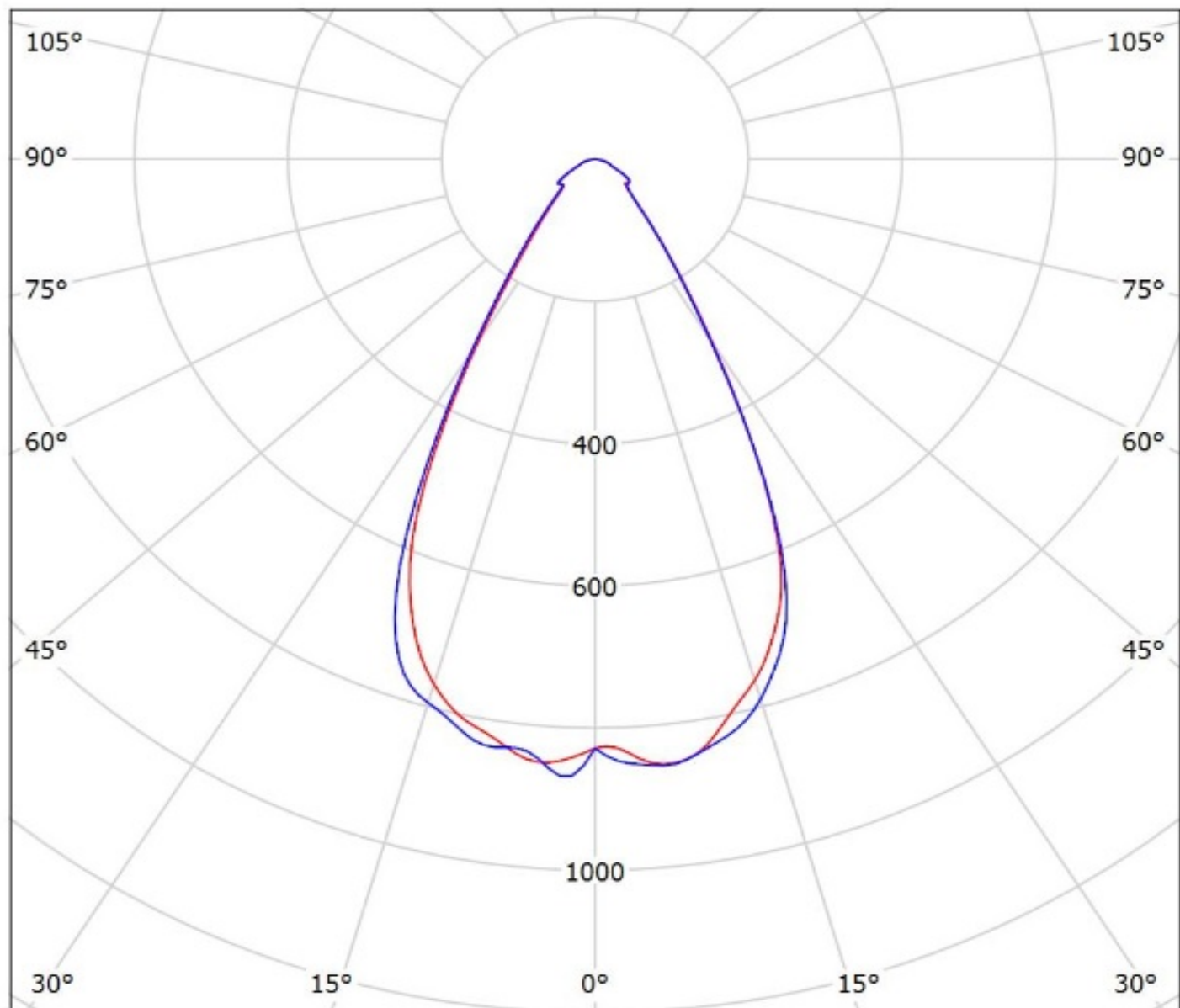


cd/klm

— C0 - C180 — C90 - C270

$\eta = 83\%$

Luminaire: Ledil Oy FN15552\_RONDA-W\_(SLE\_G6\_LES15)\_(2213254-2+\_2213194-1)\_SIMULATED  
Lamps: 1 x Tridonic SLE G6 LES15 + Tyco Electronics 2213254-2 + TE 2213194-1 Optic clip



cd/klm

— C0 - C180 — C90 - C270

$\eta = 81\%$



**NOTE: The typical divergence will be changed by different color, chip size and chip position tolerance. The typical total divergence is the full angle measured where the luminous intensity is half of the peak value.**

### **GENERAL INFORMATION**

- Product series especially designed & optimized for series of LEDs.
- Special care taken to make light distribution as uniform as possible.

Note! Due to use of high power COB's with this product, special attention to proper thermal design is highly recommended. LEDiL has no liability for direct, indirect or consecutive damages arising from the LEDiL products being used outside of the recommended temperature range.