

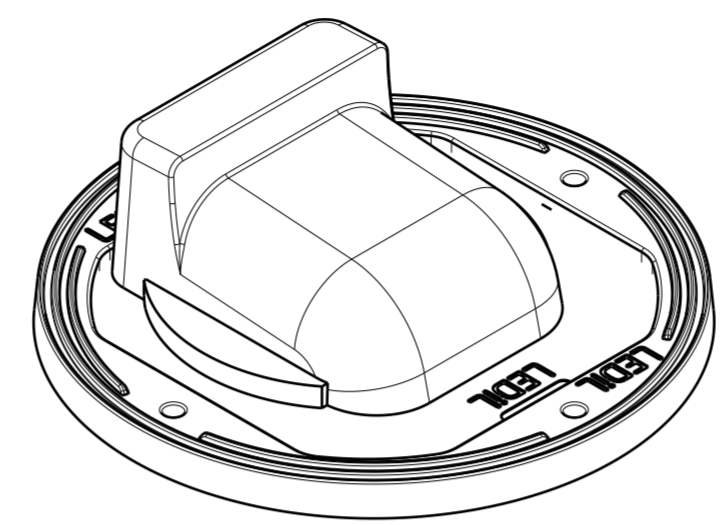
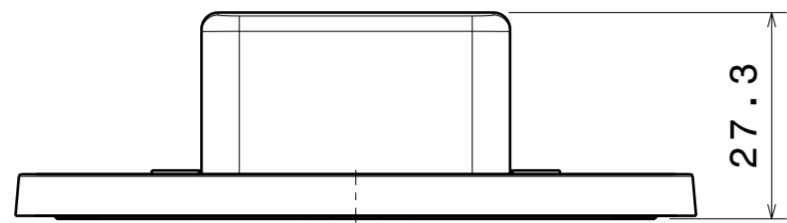
DETAILS

Product Number	FN14645_STELLA-T4
Family	STELLA
Type	Lens
Color	black
Diameter	90 mm
Height	26,9 mm
Style	round
Optic Material	Silicone
Holder Material	PA66GF30
Fastening	screw
Status	ready
ROHS Compliant	Yes
Date Updated	23/04/2015

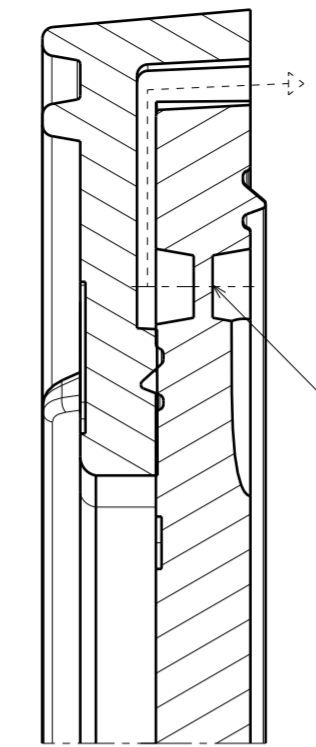


OPTICAL PROPERTIES

LED	Viewing	Light	Effi-	cd/lm	Connector
	Angle	Beam	ciency		
Soleriq S19	Asym deg	Streetligh...	93 %	0.490	-
VERO18	sim: Asymmetri	Streetligh...	sim: 91 %	sim: 0.000	-
CLL03x/CLU034	sim: Asymmetri	Streetligh...	sim: 93 %	sim: 0.000	-
CXA25xx	sim: Asymmetri	Streetligh...	sim: 92 %	sim: 0.000	-
CXA1830	sim: Asymmetri	Streetligh...	sim: 93 %	sim: 0.000	-
Soleriq P9	Asym deg	Streetligh...	94 %	0.710	-
CXA30	sim: Asymmetri	Streetligh...	-	sim: 0.000	-
CXM-14	Asym deg	Streetligh...	94 %	0.500	-
CXM-18	Asym deg	Streetligh...	94 %	0.500	-
Soleriq S13	Asym deg	Streetligh...	93 %	0.530	-
Soleriq P13	Asym deg	Streetligh...	93 %	0.490	-

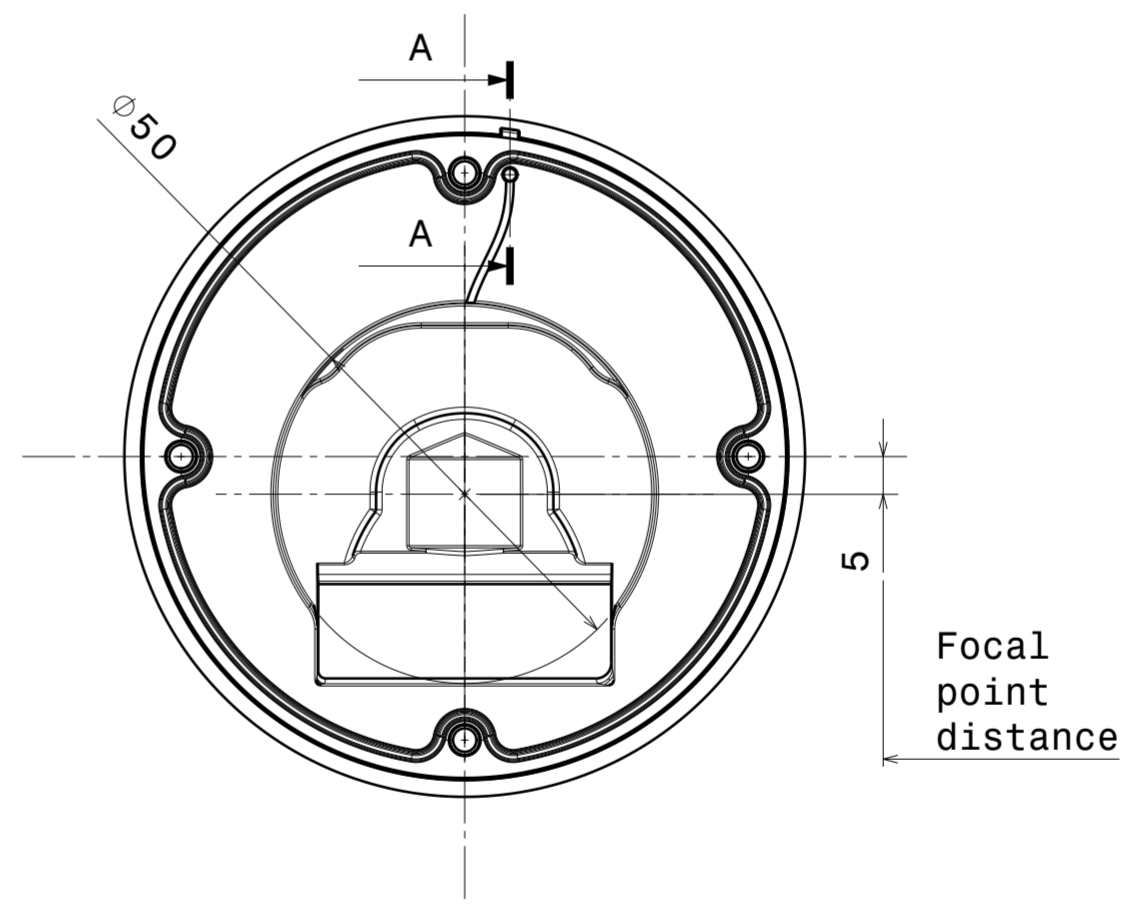
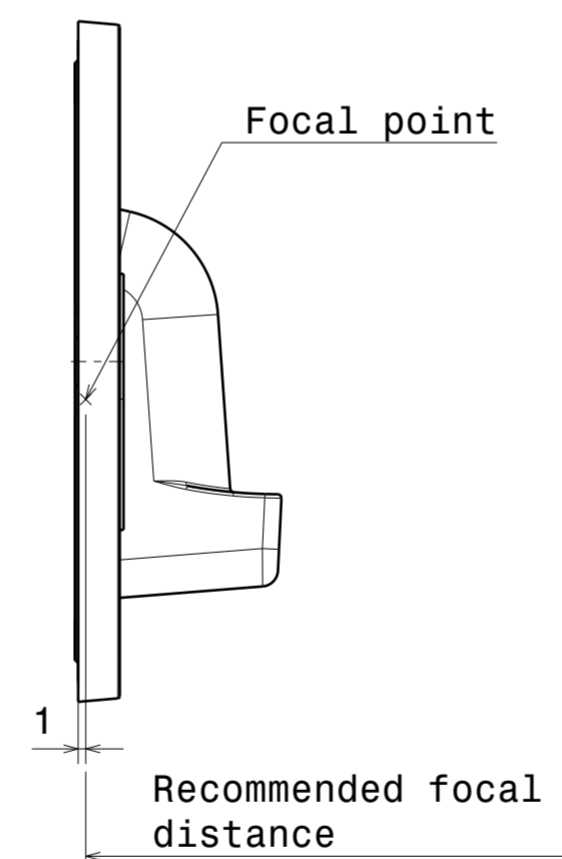
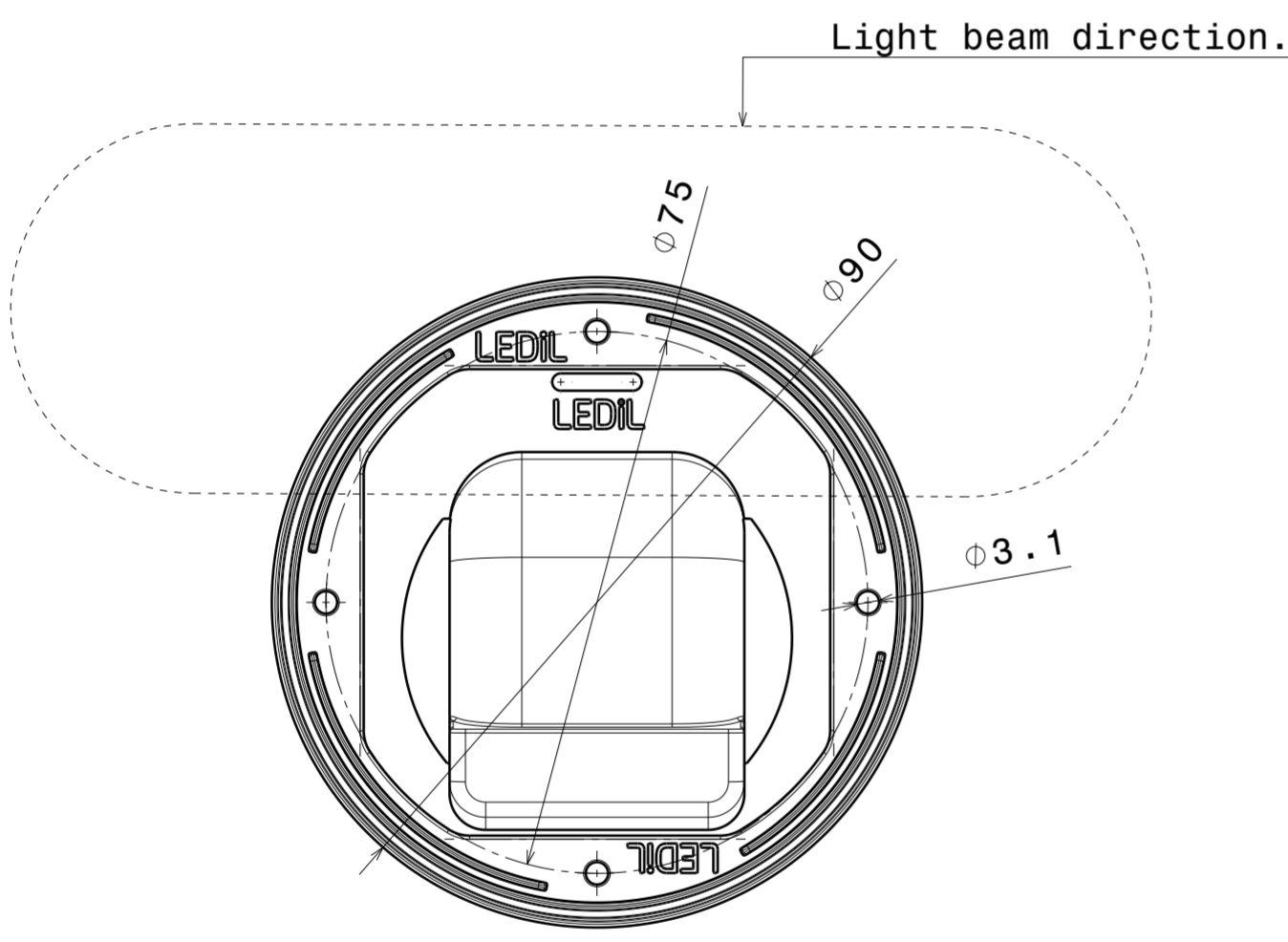


Isometric view
Scale: 1:1



Venting pipe:
Piercing this membrane
will Allow lens breathing

Section view A-A
Scale: 5:1



INDEX	PART NO	DESCRIPTION	MATERIAL	COLOUR
1	F14514	STELLA-T4	Optical grade LSR	
2	C13322	STELLA-FRAME	PA66GF30	black

Tolerances if not otherwise shown
According to DIN ISO 2768-1
Linear measures:
up to 30mm class M, otherwise class C
According to DIN ISO 2768-2
Form and position: class L

LEDiL Ledil Oy
Salorankatu 10
FIN 24240 SALO
Finland

THIRD ANGLE PROJECTION:

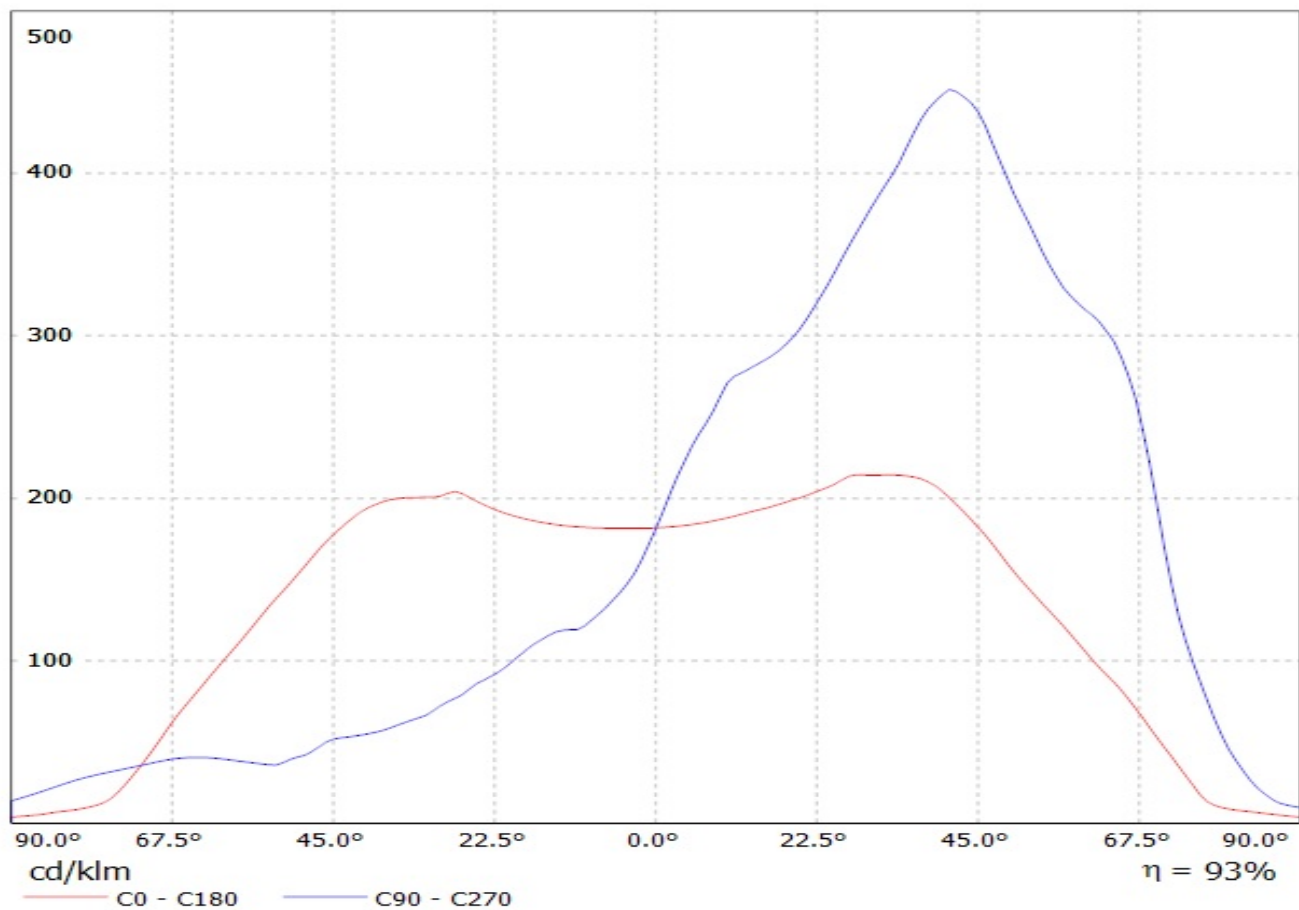
DRAWING TITLE
STELLA-T4 datasheet

This drawing is the property
of LEDiL Oy. It may not be
reproduced, copied or
communicated without a written
agreement with LEDiL Oy.

SIZE	PART NUMBER
A2	FN14645
SCALE	1:1
WEIGHT	-
SHEET	1/1

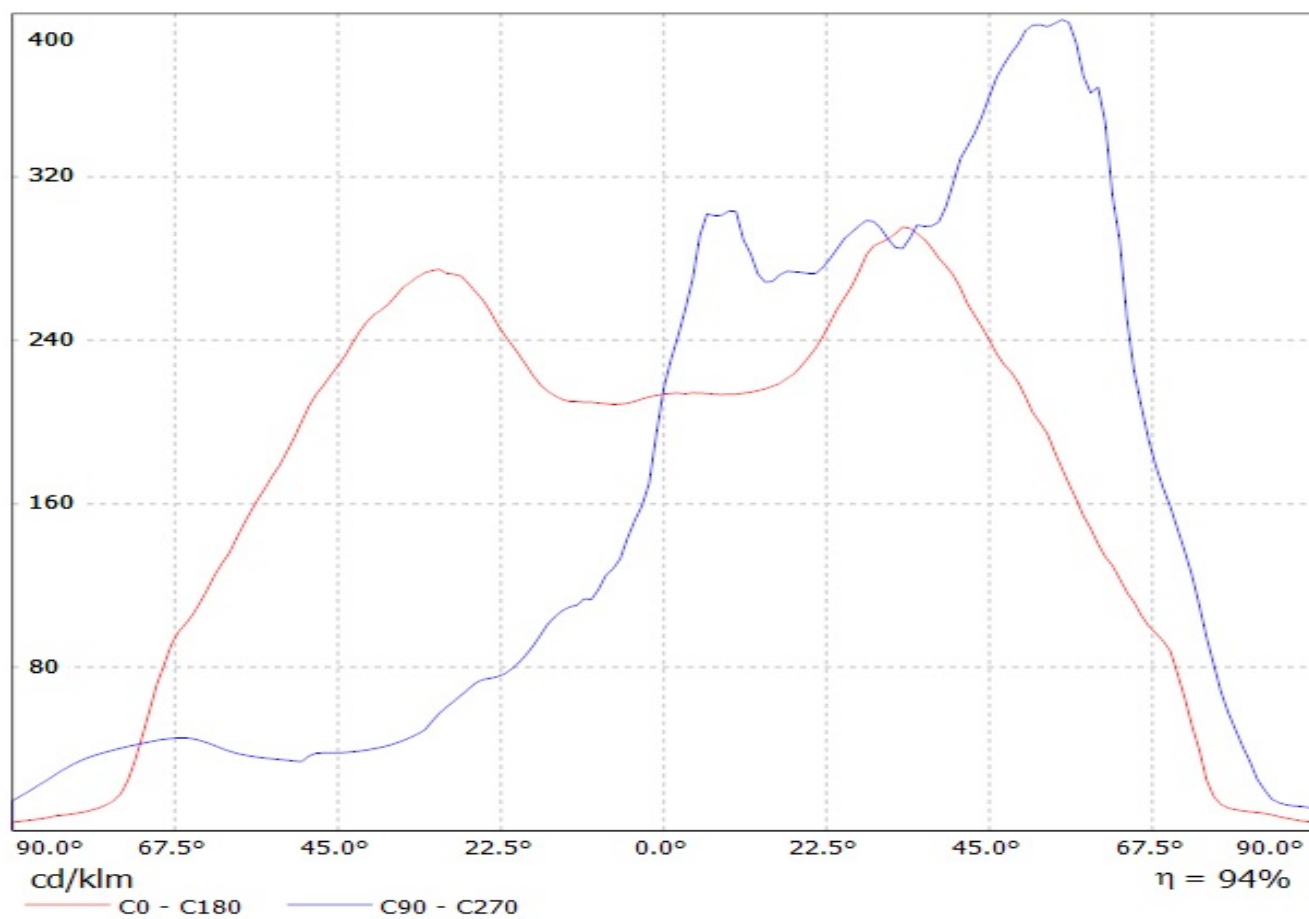
Luminaire: LEDiL Oy FN14645_STELLA-T4_(Soleriq_S19)

Lamps: 1 x Osram_Soleriq_S19_(GW_KAHJB1.EM)_1411.38lm@250mA_CCT=4372K_P=10.4361W_I=0.2498A



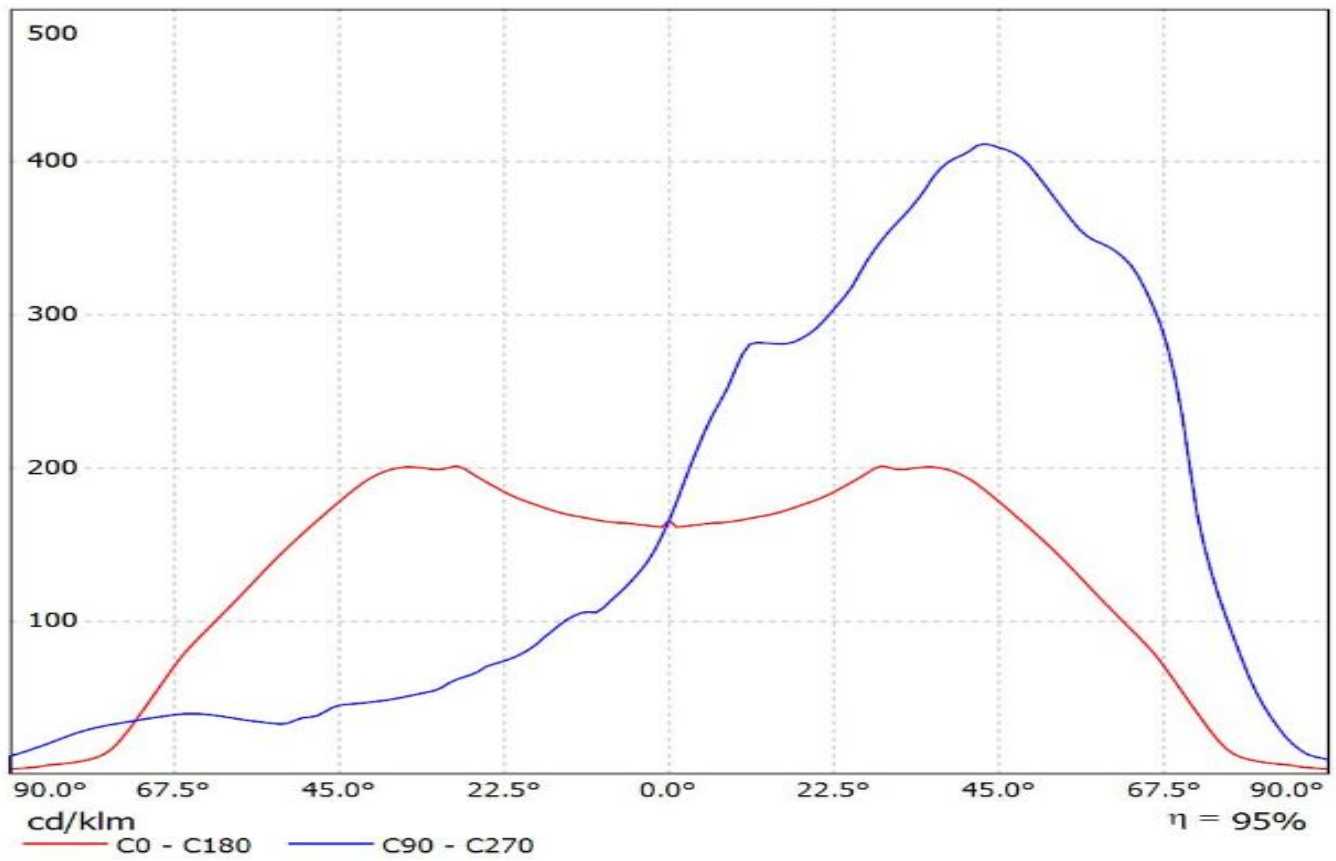
Luminaire: LEDiL Oy FN14645_STELLA-T4_(Soleriq_P9)

Lamps: 1 x Osram_Soleriq_P9_(GW_MAFJB1.EM)_883.856lm@250mA_CCT=4372K_P=6.86301W_I=0.2498A



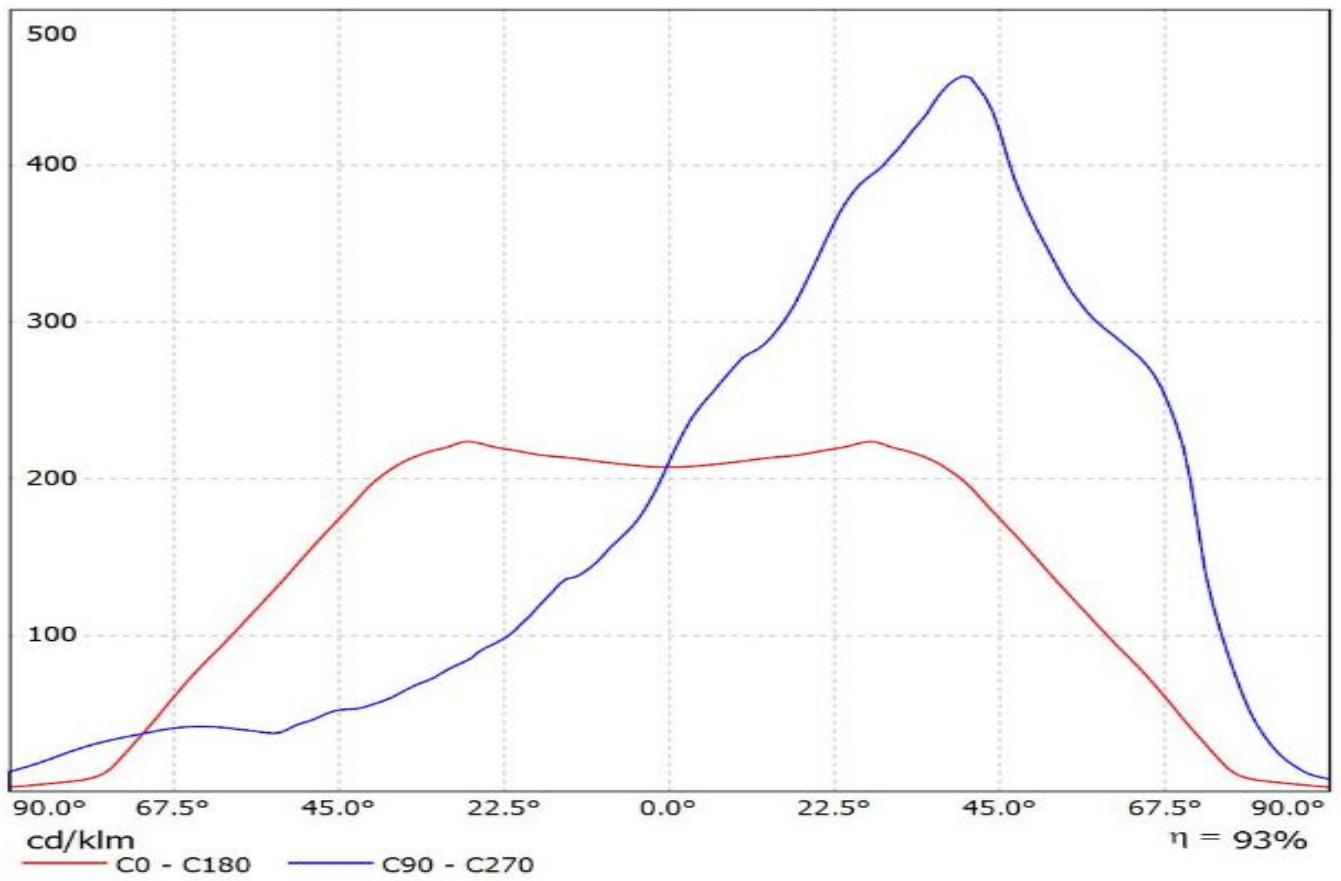
Luminaire: Ledil FN14645_STELLA-T4_(CXM-14)

Lamps: 1 x Luminus_XNOVA-CXM-14_1156.79lm@250mA_U=8.3W_I=0.25A



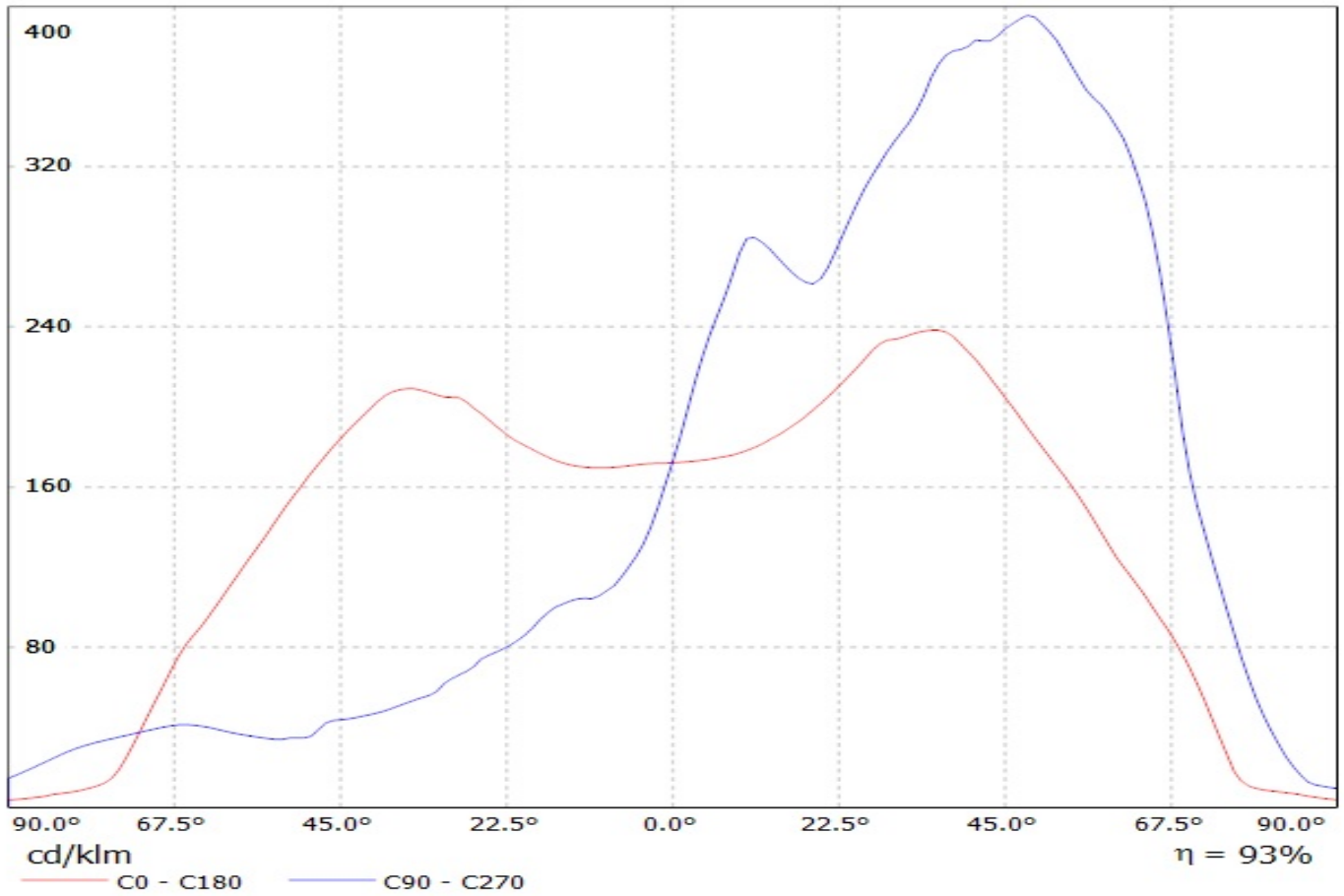
Luminaire: Ledil FN14645_STELLA-T4_(CXM-18)

Lamps: 1 x Luminus_XNOVA-CXM-18_921.635lm@250mA_U=8.12W_I=0.25A



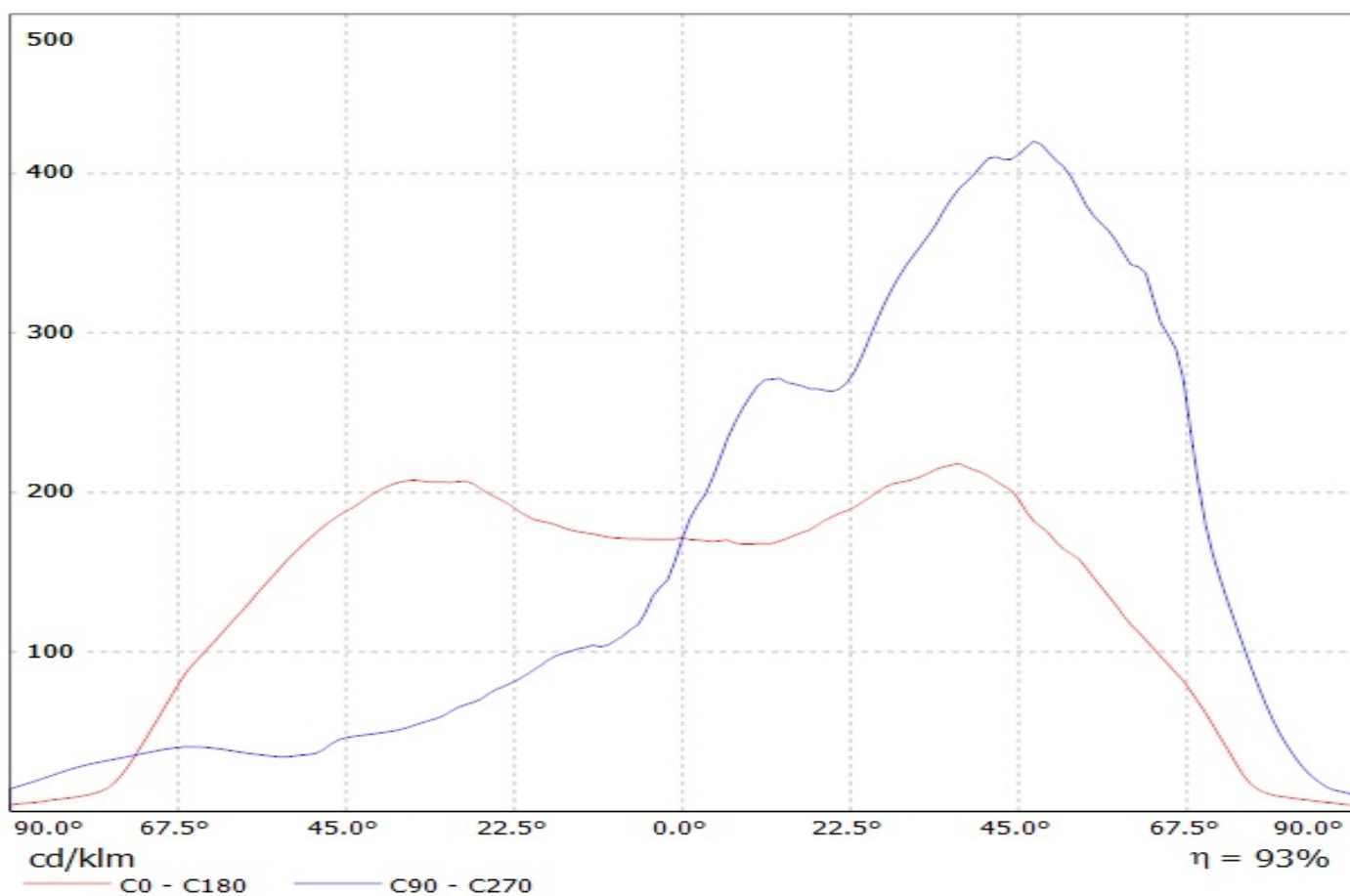
Luminaire: LEDiL Oy FN14645_STELLA-T4 (Soleriq_S13)

Lamps: 1 x Osram_Soleriq_S13_(GW_KAGHB1.EM)_867.588lm@250mA_P=7.35456W_I=0.2499A



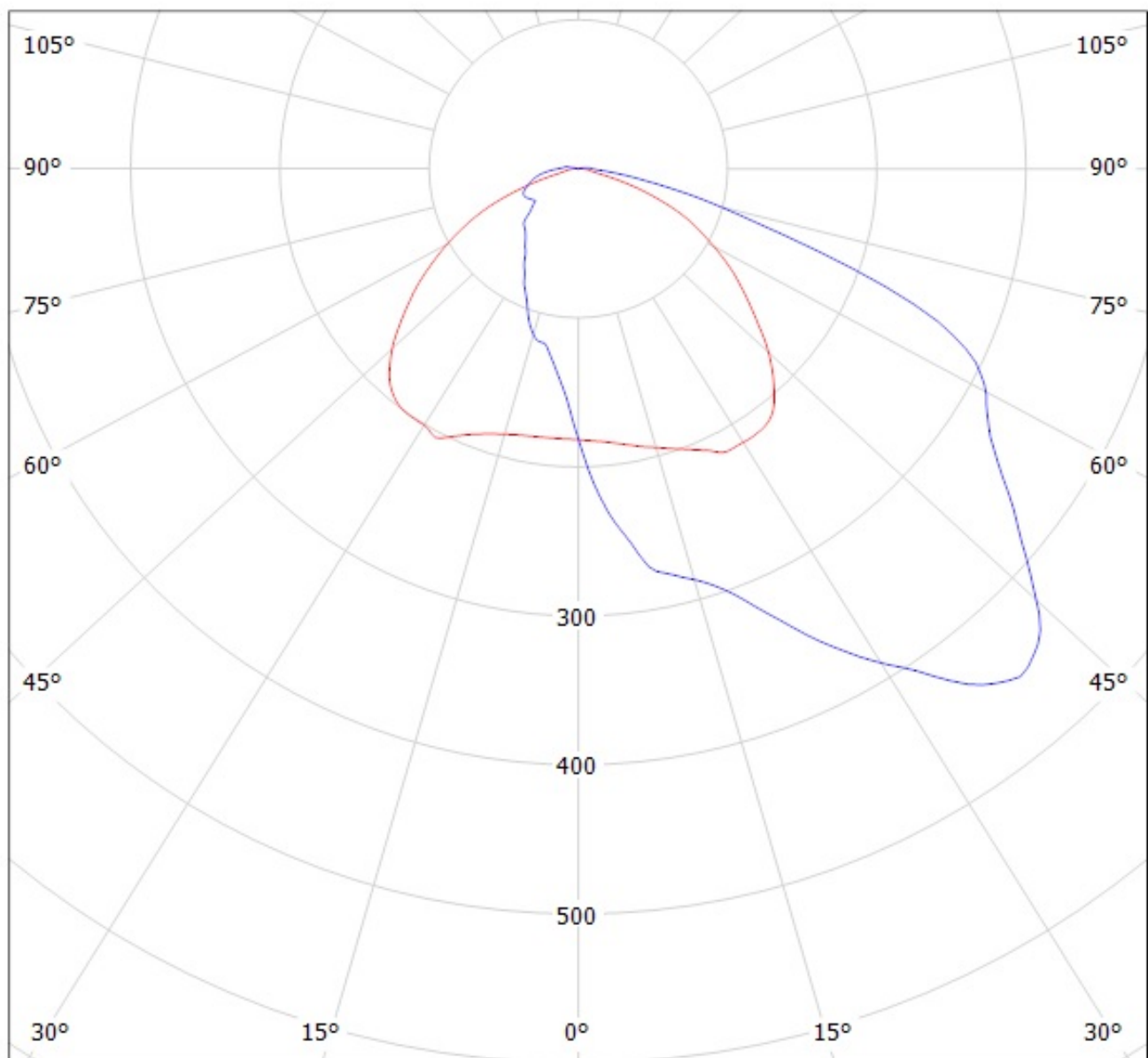
Luminaire: LEDiL Oy FN14645_STELLA-T4_(Soleriq_P13)

Lamps: 1 x Osram_Soleriq_P13_(GW_MAGMB1.EM)_935.757lm@250mA_P=8.73875W_I=0.2498A



Luminaire: LEDiL Oy FN14645_STELLA-T4_(Soleriq_S19)

Lamps: 1 x Osram_Soleriq_S19_(GW_KAHJB1.EM)_1411.38lm@250mA_CCT=4372K_P=10.4361W_I=0.2498A



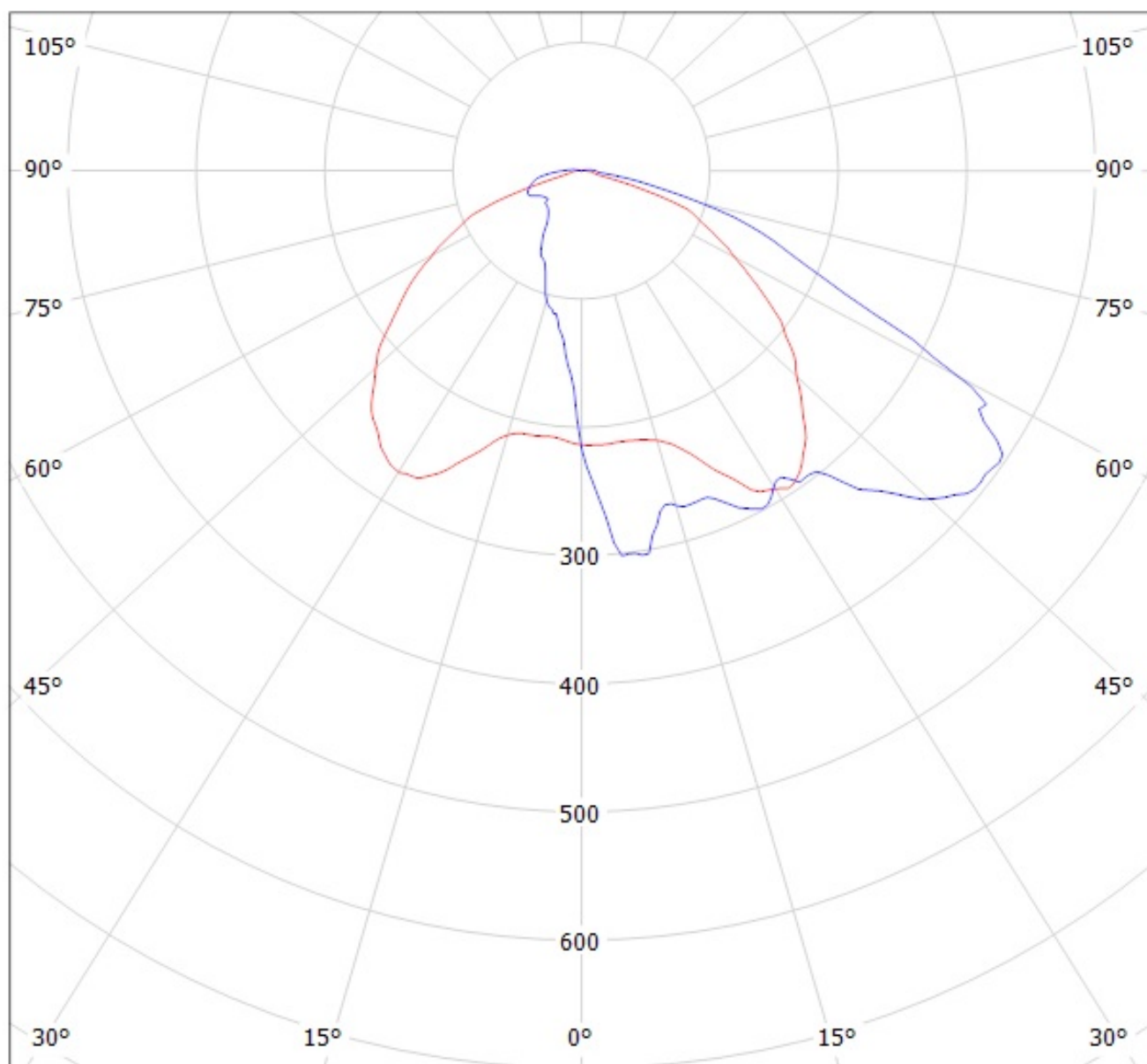
cd/klm

— C0 - C180 — C90 - C270

$\eta = 93\%$

Luminaire: LEDiL Oy FN14645_STELLA-T4_(Soleriq_P9)

Lamps: 1 x Osram_Soleriq_P9_(GW_MAFJB1.EM)_883.856lm@250mA_CCT=4372K_P=6.86301W_I=0.2498A



cd/klm

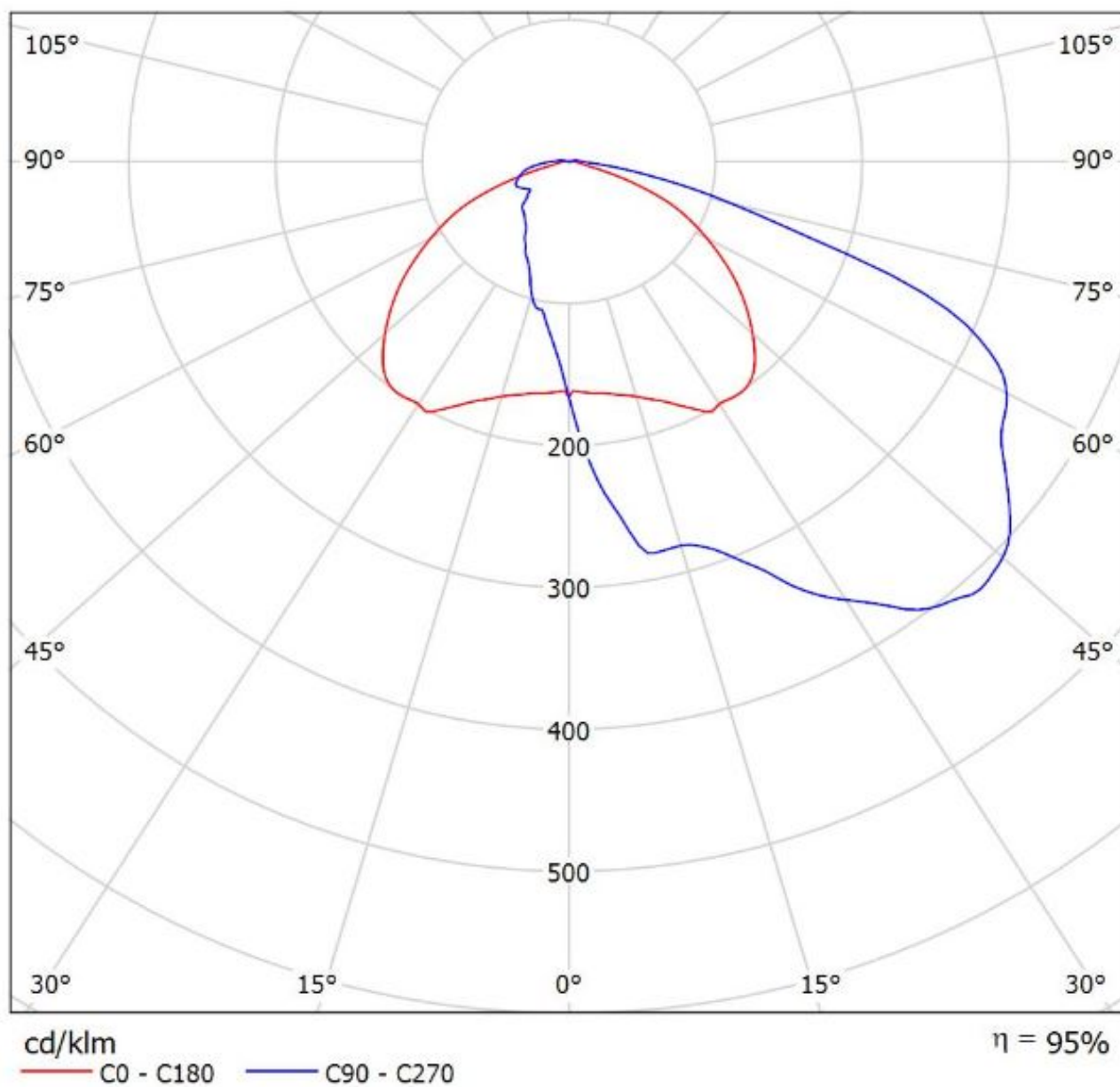
— C0 - C180

— C90 - C270

$\eta = 94\%$

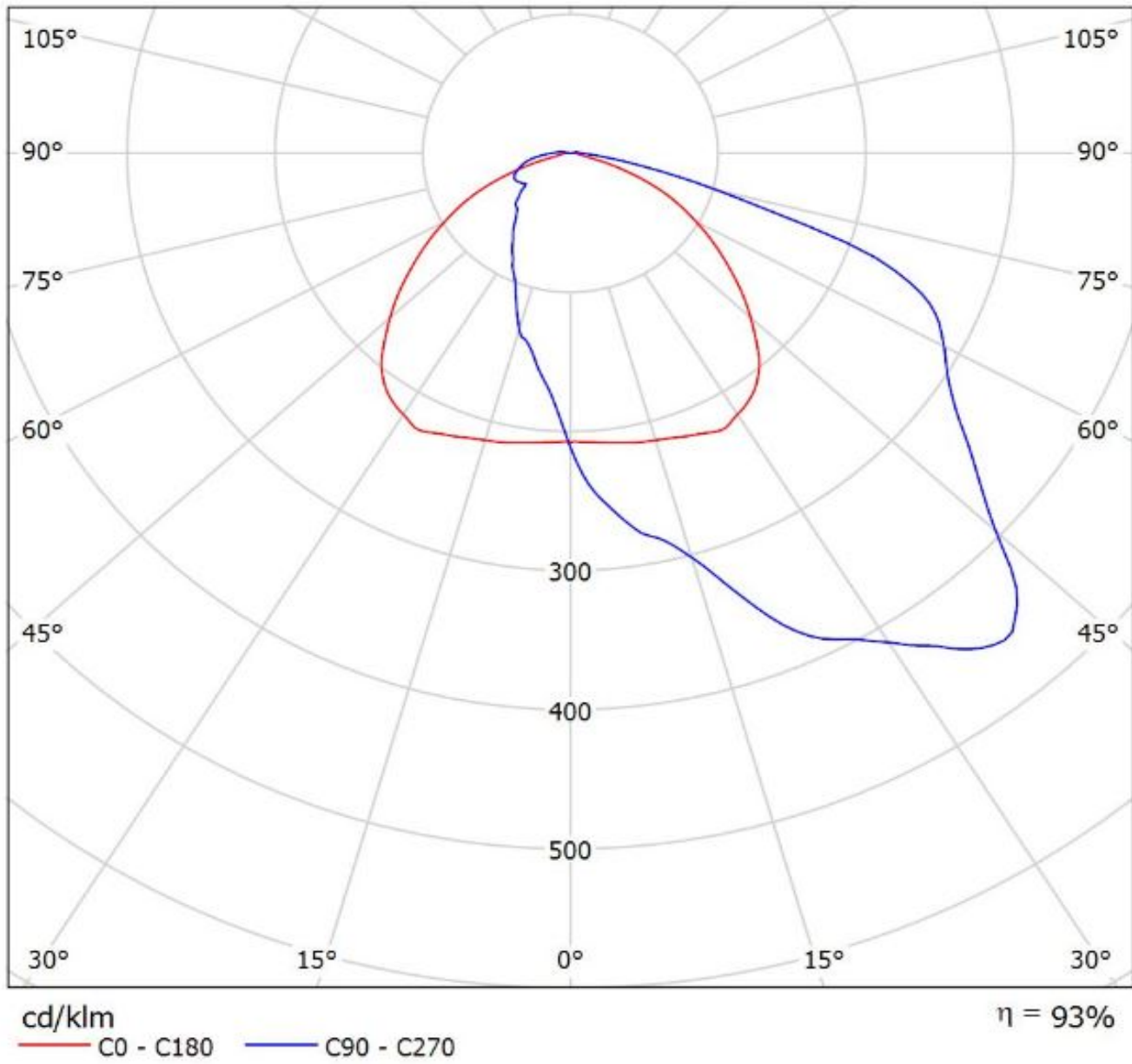
Luminaire: Ledil FN14645_STELLA-T4_(CXM-14)

Lamps: 1 x Luminus_XNOVA-CXM-14_1156.79lm@250mA_U=8.3W_I=0.25A



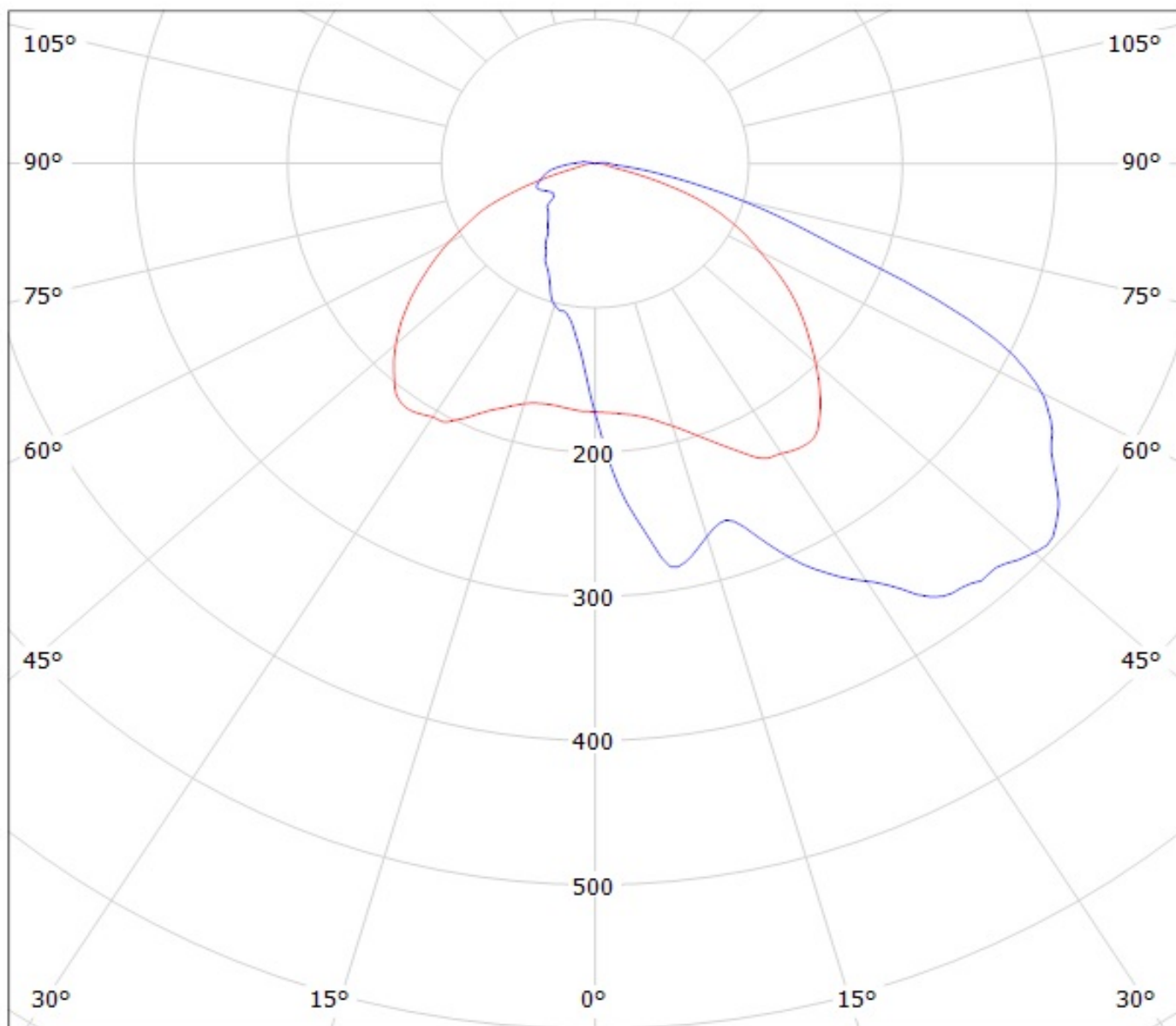
Luminaire: Ledil FN14645_STELLA-T4_(CXM-18)

Lamps: 1 x Luminus_XNOVA-CXM-18_921.635lm@250mA_U=8.12W_I=0.25A



Luminaire: LEDiL Oy FN14645_STELLA-T4_(Soleriq_S13)

Lamps: 1 x Osram_Soleriq_S13_(GW_KAGHB1.EM)_867.588lm@250mA_P=7.35456W_I=0.2499A



cd/klm

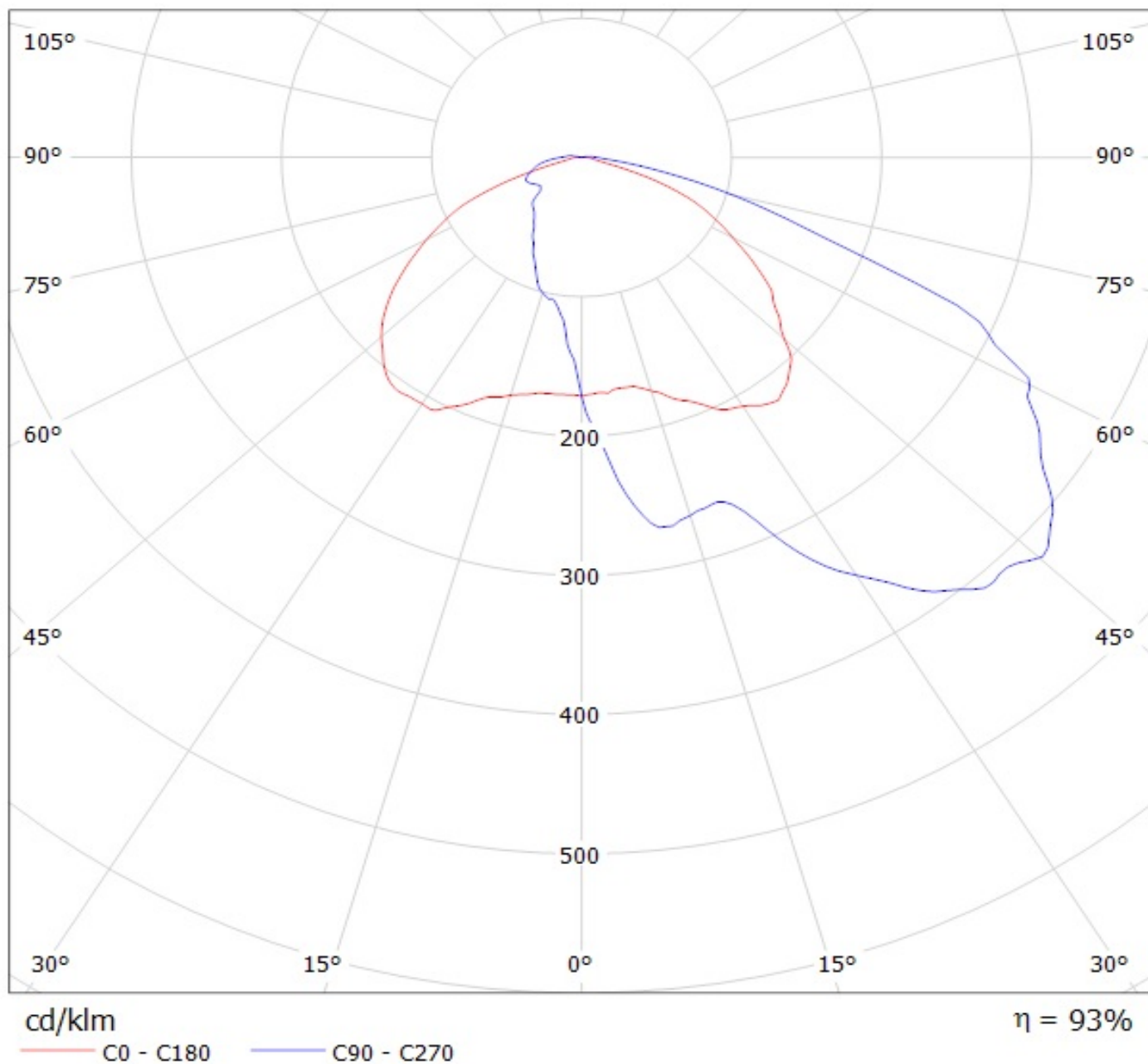
— C0 - C180

— C90 - C270

$\eta = 93\%$

Luminaire: LEDiL Oy FN14645_STELLA-T4_(Soleriq_P13)

Lamps: 1 x Osram_Soleriq_P13_(GW_MAGMB1.EM)_935.757lm@250mA_P=8.73875W_I=0.2498A



NOTE: The typical divergence will be changed by different color, chip size and chip position tolerance. The typical total divergence is the full angle measured where the luminous intensity is half of the peak value.

GENERAL INFORMATION

- Product series especially designed & optimized for series of LEDs.
- Special care taken to make light distribution as uniform as possible.

Note! Due to use of high power COB's with this product, special attention to proper thermal design is highly recommended. LEDiL has no liability for direct, indirect or consecutive damages arising from the LEDiL products being used outside of the recommended temperature range.