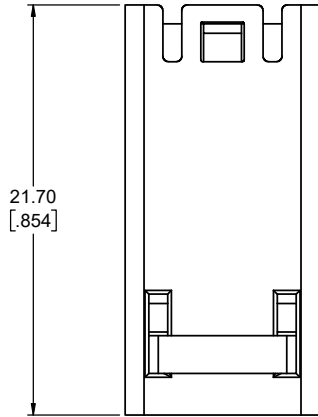


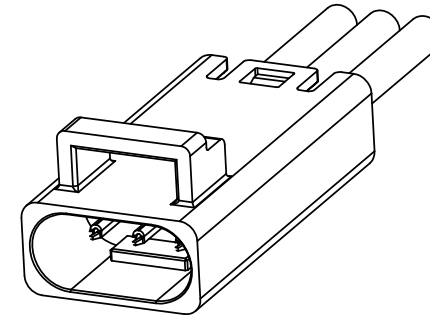


REVISIONS			
REV	DESCRIPTION, ECN, EAR NO.	DATE	APPD
D	CONTACT RENAMED	NOV30/18	S.M.
E	CURRENT RATING CHANGE	JAN22/19	S.M.

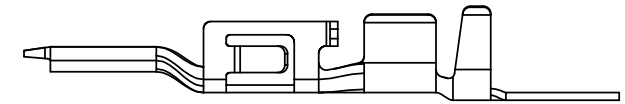
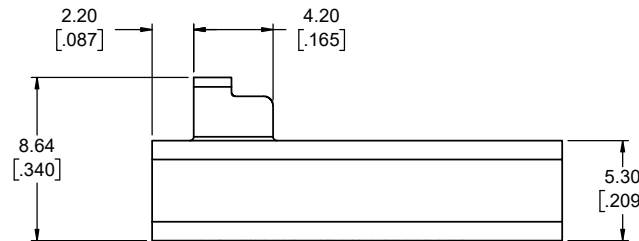
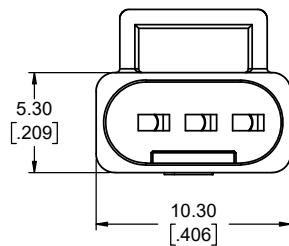


**PART NUMBER:** FLH - PX 1 - 00

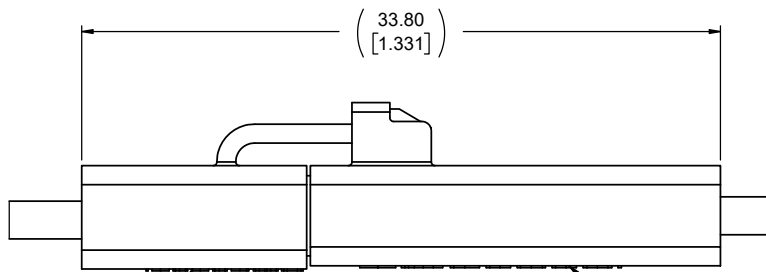
**SERIES** \_\_\_\_\_  
 FLH  
**HOUSING TYPE** \_\_\_\_\_  
 P2 = 2 PIN HOUSING  
 P3 = 3 PIN HOUSING



**APPLICATION VIEW  
 WITH 3 CONTACTS  
 AND WIRES INSTALLED**



**FLH-PC136-XXX - PIN CONTACT  
 SEE NOTES 3 & 4  
 SCALE 10:1**



SOCKET CONNECTOR  
 FLH-SX1-00

**MATED ASSEMBLY VIEW**

PIN CONNECTOR  
 FLH-PX1-00

**NOTES:**

- MATERIALS:** ALL MATERIALS ARE RoHS COMPLIANT PER EU DIRECTIVE 2011/65/EU & AMENDMENTS
  - HOUSING: ENGINEERING THERMOPLASTIC, UL FLAMMABILITY RATING 94V-0, COLOUR BLACK
  - SEALS: SILICONE RUBBER
- ELECTRICAL CHARACTERISTICS**
  - CURRENT RATING: 8A (18 AWG) OR 5A (20 AWG) OR 3A (22 AWG) PER CONTACT WHEN USING 3 CONTACTS
  - DIELECTRIC WITHSTANDING VOLTAGE: 1800 VAC
  - INSULATION RESISTANCE: 500 MEGAOHMS
  - OPERATING TEMPERATURE: -40°C TO +105°C
- CRIMP WIRE TO CONTACT BEFORE ASSEMBLING INTO HOUSING.
- PIN CONTACTS TO BE PURCHASED SEPARATELY ON REEL. P/N: FLH-PC136-XXX

**AMPHENOL PART NUMBER: FLH-PX1-00**

UNLESS SPECIFIED OTHERWISE	DRAWN	B.COPPING	FEB20/18
PRIMARY UNITS MILLIMETERS	CHECKED	S.MUGAN	FEB20/18
SECONDARY UNITS INCHES	M.E. APPD		
REFERENCE IN PARENTHESES	Q.A. APPD		
GENERAL TOLERANCES	DWG APPR.		
1 DECIMAL PLACE	ENG. REL. NO.		
2 DECIMAL PLACES	REF.		
3 DECIMAL PLACES	THIRD ANGLE PROJECTION		
ANGULAR DEGREES	DO NOT SCALE DRAWING		

**Amphenol Canada Corp.**  
 Commercial Products

FLH SERIES, MINI SEALED 2.5mm PITCH PIN CONNECTOR HOUSING ASSEMBLY, 2 OR 3 CONTACT OPTIONS, RoHS COMPLIANT

DWG. NO.	P-FLH-PX1-00	REV	E
CODE ID NO.	03554	DWG SIZE:	X
SCALE:	5:1	SHEET	1 OF 1