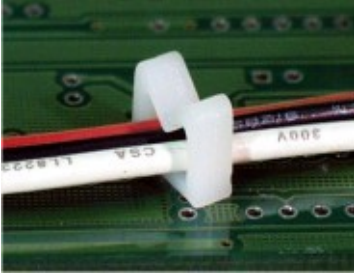
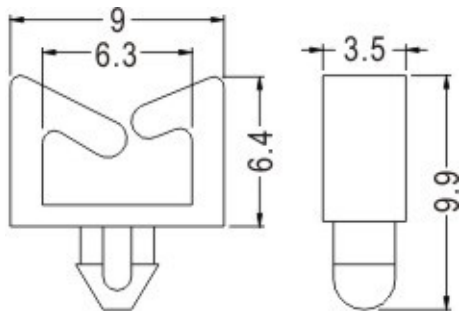


FIX-MWS



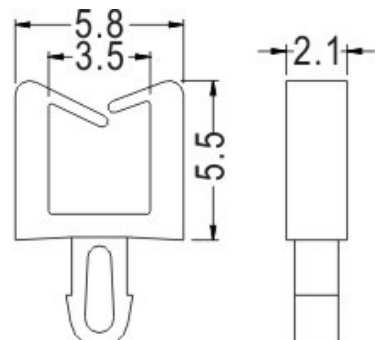
- ◆ MATERIAL: NYLON 66 (UL)
- ◆ FLAME CLASS: 94V-2
- ◆ COLOR: NATURAL
- ◆ UNIT: mm

FIX-MWS-1



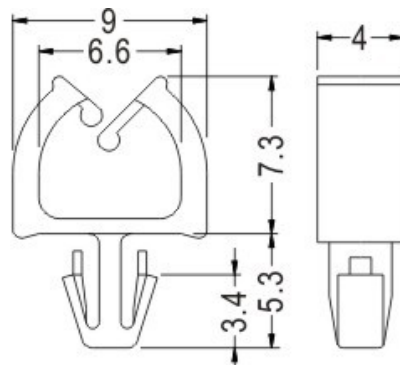
CHASSIS Ø3.0
THICKNESS 1.2~1.6

FIX-MWS-8



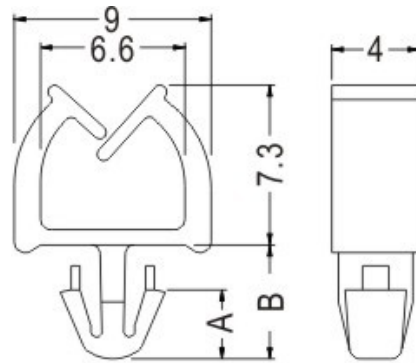
P.C.B Ø2.0
THICKNESS 1.6~1.8

FIX-MWS-10



CHASSIS Ø3
THICKNESS 1.6

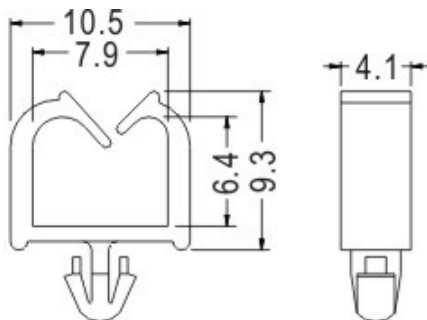
FIX-MWS-11



CHASSIS Ø3.5

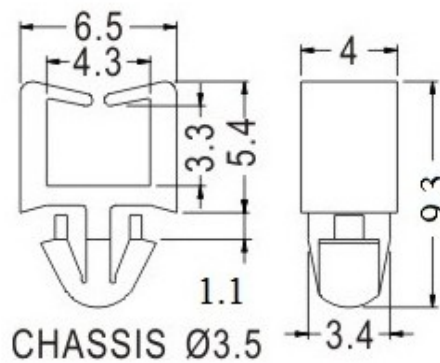
PART NO	A[mm]	B[mm]	CHASSIS THICKNESS [mm]	PACKAGE
FIX-MWS-11	3,2	5,2	1,6	1000

FIX-MWS-12



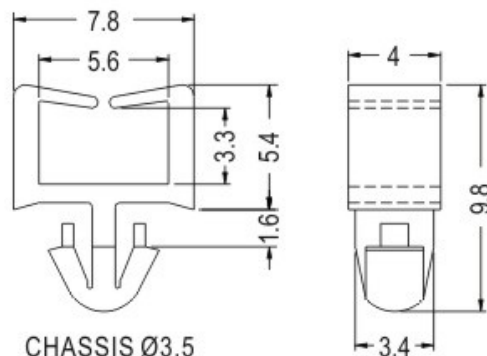
CHASSIS Ø3.0
THICKNESS 0.8~1.6

FIX-MWS-13



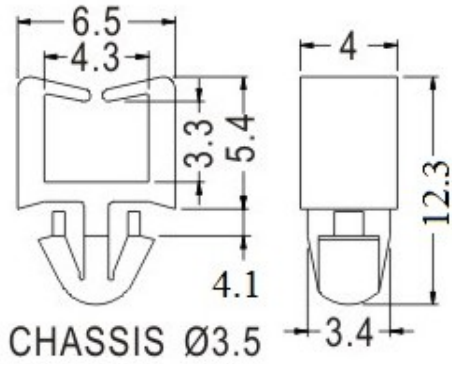
CHASSIS Ø3.5

FIX-MWS-13L



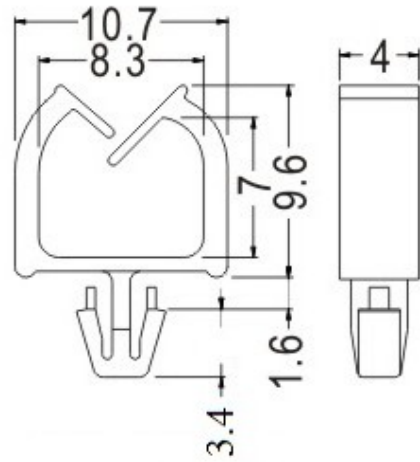
CHASSIS Ø3.5
THICKNESS 1.5

FIX-MWS-14



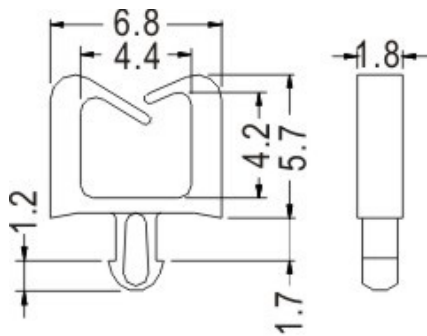
CHASSIS Ø3.5

FIX-MWS-15



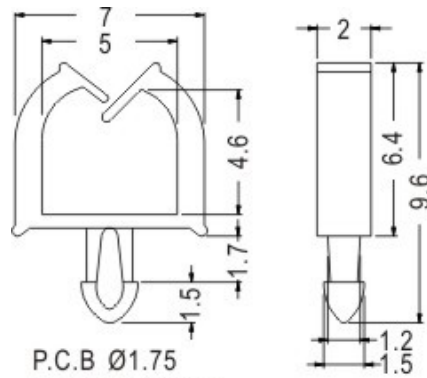
CHASSIS Ø3.0
THICKNESS 1.6

FIX-MWS-16



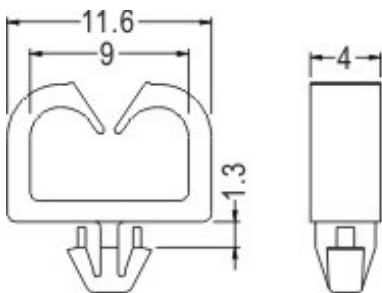
P.C.B Ø1.75
THICKNESS 1.6

FIX-MWS-17



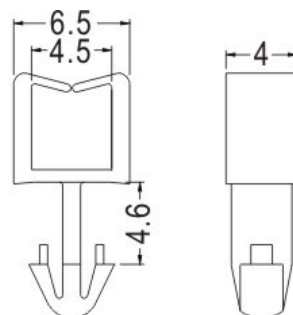
P.C.B Ø1.75
THICKNESS 1.6

FIX-MWS-19



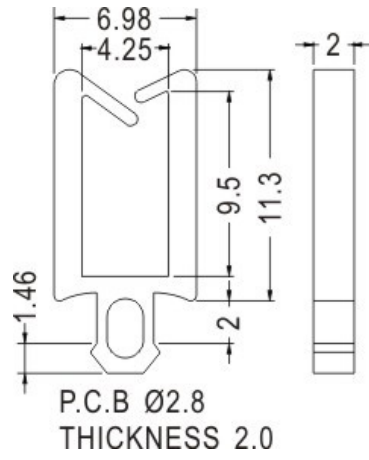
CHASSIS Ø3.5
THICKNESS 0.8~1.2

FIX-MWS-20

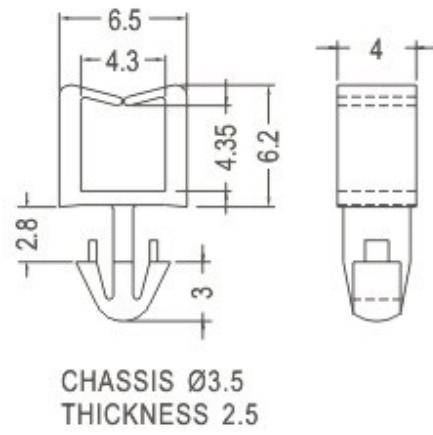


CHASSIS Ø3.5
THICKNESS 4.0

FIX-MWS-24



FIX-MWS-25



FIX
Fasten