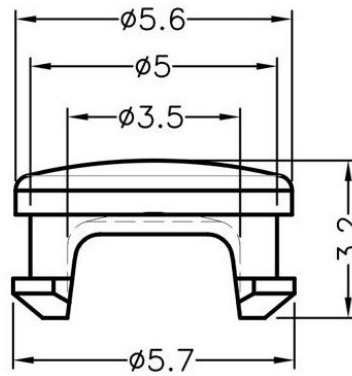




FIX-LC5-8

MATERIAL:PC(UL)
FLAME CLASS:94V-2
COLOR:TRANSPARENT
UNIT:mm



MOUNTING HOLE $\phi 5$
THICKNESS 1.3