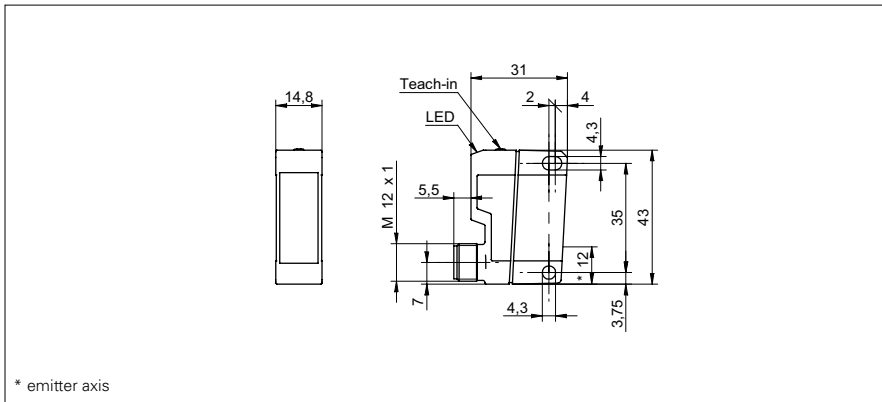


# Diffuse sensors with background suppression

## FHDK 14P6901/S14

### dimension drawing



\* emitter axis

### general data

type	background suppression
light source	pulsed red LED
sensing distance $T_w$	40 ... 200 mm
sensing range $T_b$ (at $T_w$ max.)	20 ... 200 mm
sensing range $T_b$ (at $T_w$ min.)	12 ... 40 mm
alignment / soiled lens indicator	flashing light indicator
light indicator	LED green
output indicator	LED yellow
sensing distance adjustment	Teach-in
wave length	660 nm
suppression of reciprocal influence	yes

### electrical data

response time / release time	< 0,5 ms
voltage supply range +Vs	10 ... 30 VDC
current consumption max. (no load)	40 mA
current consumption typ.	35 mA
voltage drop $V_d$	< 1,8 VDC
output function	light / dark operate
output circuit	PNP
output current	< 100 mA
short circuit protection	yes
reverse polarity protection	yes

### mechanical data

width / diameter	14,8 mm
height / length	43 mm
depth	31 mm
type	rectangular
housing material	plastic (ASA, MABS)
front (optics)	PMMA
connection types	connector M12 4 pin

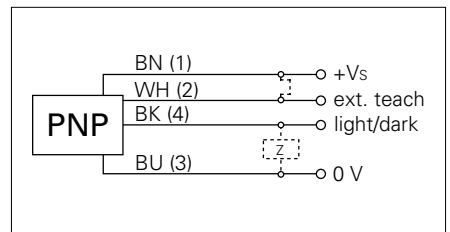
### ambient conditions

operating temperature	-25 ... +65 °C
protection class	IP 67

### photo



### connection diagram



- sensitivity adjustable: via Teach-in button or Teach-in wire input