

SUMMARY



Wires

| | |
|---------|----|
| Low | 10 |
| High | 0 |
| Coax | 0 |
| Triax | 0 |
| Quad | 0 |
| Fiber | 0 |
| Fluidic | 0 |

Download

[Request a quote](#)

[Catalog](#)

| | |
|------------------|----------------|
| Series | 2S |
| Termination type | Male solder |
| IP rating | 50 |
| Cable Ø | 2.50 - 3.20 mm |
| Matching parts | ERA.2S.310.CLL |

TECHNICAL DETAILS

Mechanics

| | |
|-------------------|---|
| Shell Style/Model | FFA*: Straight plug, cable collet |
| Keying | Hermaphroditic keying ("half moon" insert), plug has male pin 1 |
| Housing Material | Brass (chrome plated) shell and collet nut, nickel plated brass latch sleeve and mid pieces |
| Cable Fixing | C32: 2.5 - 3.2 mm |
| Variant | |

Performance

| | |
|---------------|--|
| Configuration | 2S.310 : 10 Low Voltage |
| Insulator | L: PEEK (UL 94 / V-0/3.2, depends on material thickness) |
| Rated Current | 7 Amps |

Specifications

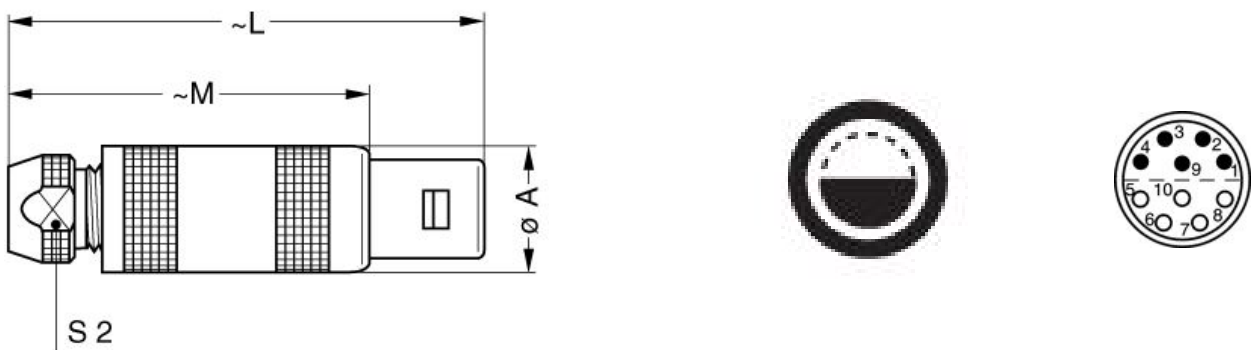
| | |
|-----------------------|-------------------------------|
| Contact Type: | Solder |
| Max. Matings: | 5000 |
| Contact Dia.: | 0.9 mm (0.0354in) |
| Bucket Dia.: | 0.8 mm (0.031in) |
| Max. Solid Conductor: | 0.34 mm ² (AWG 22) |
| R (max): | 4.8 mOhm |
| Vtest: | 800 V (AC), 1200 V (DC) |

Others

Endurance (Shell): 5000 mating cycles
Temp (min / max): -55°C / +250°C
Humidity (max): <=95% [at 60 deg C / 140 F]
Vibration: 15 g [10 Hz - 2000 Hz]
Shock Resistance: 100 g [6 ms]
Salt Spray Corrosion: >144 hr
Climatical Category: 50/175/21
Shielding (min): 75 dB (10 MHz)
Shielding (min): 40 dB (1 GHz)
IP Rating: 50

DRAWINGS

Draws



Dimensions

| | A | C | L | M | S2 |
|-----|------|------|------|------|------|
| mm. | 14.8 | 8.5 | 52 | 40 | 11 |
| in. | 0,58 | 0,33 | 2,05 | 1,57 | 0,43 |

RECOMMENDED BY LEMO

Tools

Spanner wrench: MTZ.2S.220.011

Cables