

PRODUCT NUMBER
76385-YXX

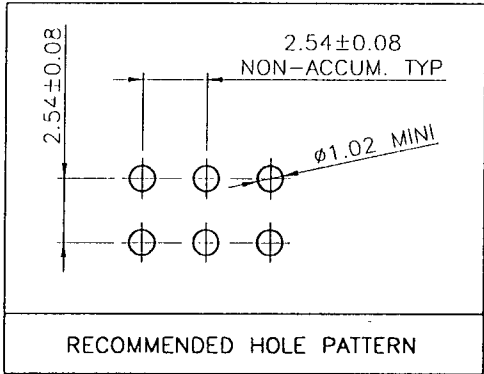
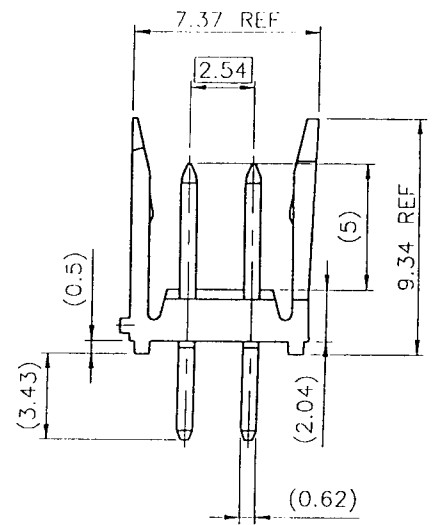
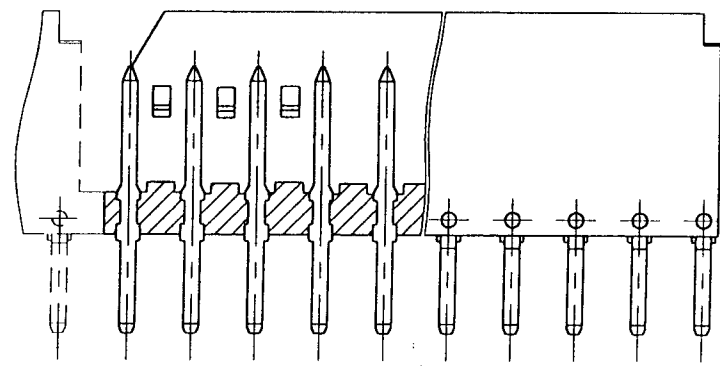
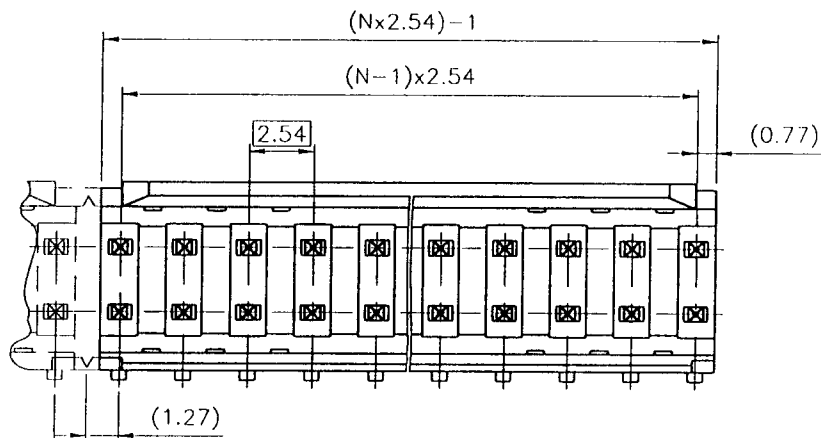
NUMBER OF POSITIONS PER ROW: 02 TO 36.

PLATING CODE

- 3= 0.76µm GOLD ON CONTACT AREA.
3.81µm TIN-LEAD ON TAIL.
- 4= 5µm TIN-LEAD ON CONTACT AREA.
3.81µm TIN-LEAD ON TAIL.

NOTES:

- 1 - HOUSING MAT'L: THERMOPLASTIC GLASS FILLED
FLAME RETARDANT PER UL 94 V-0 COLOR: BLUE.
- 2 - TERMINAL MATERIAL: PHOSPHOR BRONZE.
- 3 - 2 UP TO 6 POSITIONS PRODUCT PACKED IN PLASTIC BAG.
7 UP TO 36 POSITIONS PRODUCT PACKED IN TUBE.
- 4 - TO DETERMINE DIMENSIONS:
N = NUMBER OF POSITIONS PER ROW
EXAMPLE: 8 POS: (N x 2.54) - 1 = 19.32 mm
- 5 - MINI PUSH-OUT FORCE TERMINAL IN BOTH
DIRECTIONS 22N.
- 6 - ONLY DASH NUMBER -X02 AND -X03
ALWAYS TEN (10) PRODUCTS MOLDED ASSEMBLY
& DELIVERY TOGETHER ACCORDING PHANTOM LINES.



mat'l code		SEE NOTES		tolerances unless otherwise specified		CUSTOMER COPY		ELECTRONICS www.fciconnect.com	
lir	ecn no	dr	dale	linear		projection		title	
G	F10103	GCO	01.01.12	angles				SHR. HEADER STR DR TMT	
H	F10116	GCO	01.01.23	dr G CORBOZ 01.01.12 engr P NIZZI 01.01.12 chr D LEGRAND 01.01.12 appd P N 01.01.12		product family DUBOX size dwg no		code 213	
sheet index		revision sheet	H	scale		mm		A3	
		1		5:1				76385	
								sheet 1 of 1	